

Datasheet - IFL 8-18L-10/01P

Inductive proximity switch / Housing construction form: cylinder, thread / IFL - M18



Preferred typ



- Design M 18 x 1
- 1 Cable entry M 16 x 1.5
- Metal enclosure
- DC 3-wire
- Wiring compartment
- Long design

(Minor differences between the printed image and the original product may exist!)

Ordering details

Product type description	IFL 8-18L-10/01P
Article number	101138970
EAN code	4030661117799
eCl@ss	27-27-01-01


Approval

Approval



CCC

Global Properties

Product name	IFL - M18
Standards	IEC/EN 60947-5-2; DIN VDE 0660-208
Compliance with the Directives (Y/N) 	Yes
Operating resource protection class	None
Materials	
- Material of the housings	Brass
- Material of the nuts	Brass
- Material of the active surface	Plastic
Housing coating	nickel-plated
Housing construction form	cylinder, thread

Weight 75 g

Mechanical data

Design of electrical connection	Screw connection
Conductor with strain relief	No
Cable section	
- Min. Cable section	
- Max. Cable section	1 x 1.5 mm ²
mechanical installation conditions	not flush
Switch distance	8 mm
Reduction factor 1 met (Y/N)	No
Protection circuit	inductive interference protection, Protection against polarity reversal
Pressure resistant (Y/N)	No
Tightening torque for nuts	A/F 24 max. 1800 Ncm

Ambient conditions

Ambient temperature	
- Min. environmental temperature	-25 °C
- Max. environmental temperature	+70 °C
Protection class	IP67 to IEC/EN 60529

Electrical data

Design of control element	Normally open contact (NO) or Opener (NC)
Number of wire	3 piece
Voltage type	DC, direct current
Supply voltage U _s	
- Min. supply voltage	10 V
- Max. supply voltage	60 V
Switch frequency	approx. 350 Hz
Voltage drop U _d	approx. 1.5 V (400 mA)
Operating current I _e	400 mA
No-load current I ₀	approx. 5.5 mA (24 V)

Outputs

Design of control output	PNP
--------------------------	-----

LED switching conditions display

LED switching conditions display (Y/N)	Yes
- yellow LED	

ATEX

Explosion protection categories for gases	None
Explosion protected category for dusts	None

Dimensions

Dimensions of the sensor

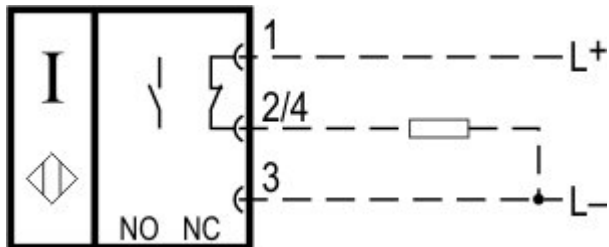
- Length of sensor	126 mm
- Diameter of sensor	M18

notice

Instead of nuts, a mounting clamp can be provided.

Programmable by repositioning the plug-in jumper at the terminal screws

Diagram



Note Diagram

- positive break NC contact
- active
- no active
- Normally-open contact
- Normally-closed contact

Ordering suffix

The applicable ordering suffix is added at the end of the part number of the safety switch.

Order example: IFL 8-18L-10/01P-**1665-1**

...-**1665-1**

short-circuit and overload proof
Operating current I_e : 300 mA
Voltage drop U_d : approx. 1 V (300 mA)

Ordering code

IFL (1)-(2)(3)-(4)(5)(6)(7)-(8)

(1)

5

Switch distance 5 mm

8

Switch distance 8 mm

10

Switch distance 10 mm

(2)

18

cylinder, thread M18, Metal film

180

cylinder, thread M18, Plastic

(3)

without

Included in standard version Design

M

miniature body

L

Long design

(4)

01

Opener (NC)

10

Normally open contact (NO)

10/01

Normally open contact (NO) / Opener (NC) with Wiring compartment

11	Normally open contact (NO) / Opener (NC) antivalent
(5)	
without	Cable
ST	Connector
T	Conductor with strain relief
A	Alternating current/direct current AC/DC
D	DC 2-wire
(6)	
without	Included in standard version Plug-in connection
2	Alternative Plug-in connection
(7)	
N	n-type
P	p-type
(8)	
2033	Stainless steel enclosure
2130	Max. +130°C, without LED switching conditions display

Documents

Mounting and wiring instructions (de, en, fr, it) 79 kB, 05.10.2010

Code: m_fl1p01

Declaration of conformity (en, de) 232 kB, 05.11.2013

Code: __iflp01

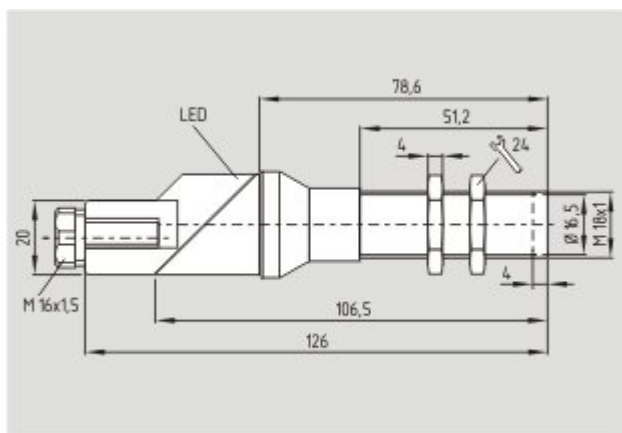
CCC certification (cn) 130 kB, 30.01.2014

Code: q_iflp03

CCC certification (en) 186 kB, 30.01.2014

Code: q_iflp02

Images



Dimensional drawing (basic component)



System components

Mounting accessories



101068879 - MOUNTING CLAMP H 18

- For a smooth fitting of the proximity switches with cylindric shape Ø 18 mm or thread M18

K.A. Schmersal GmbH & Co. KG, Möddinghofe 30, D-42279 Wuppertal

The data and values have been checked thoroughly. Technical modifications and errors excepted.

Generiert am 10.03.2015 - 11:34:51h Kasbase 3.1.2.F.64I