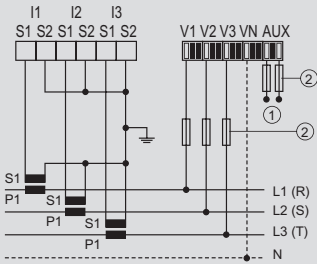
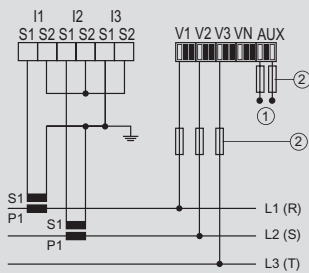
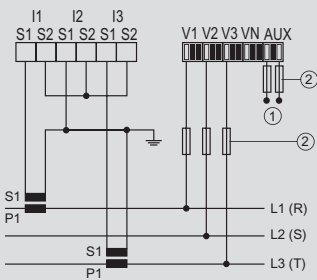


## ■ Connection solutions

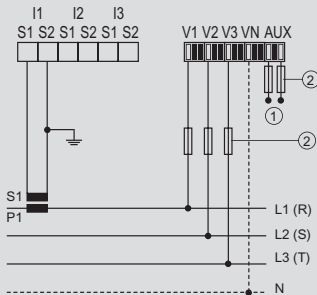
### Unbalanced three phase network (3 or 4 wire)



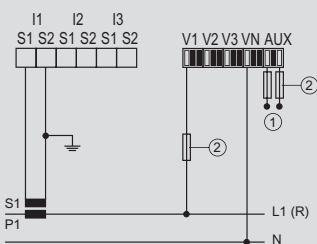
### (3 wire)



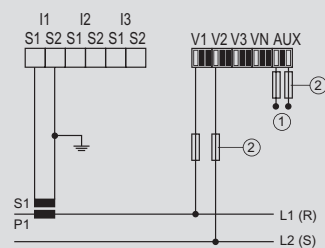
### Balanced three phase network (3 or 4 wire)



### Single phase network (2 wire)

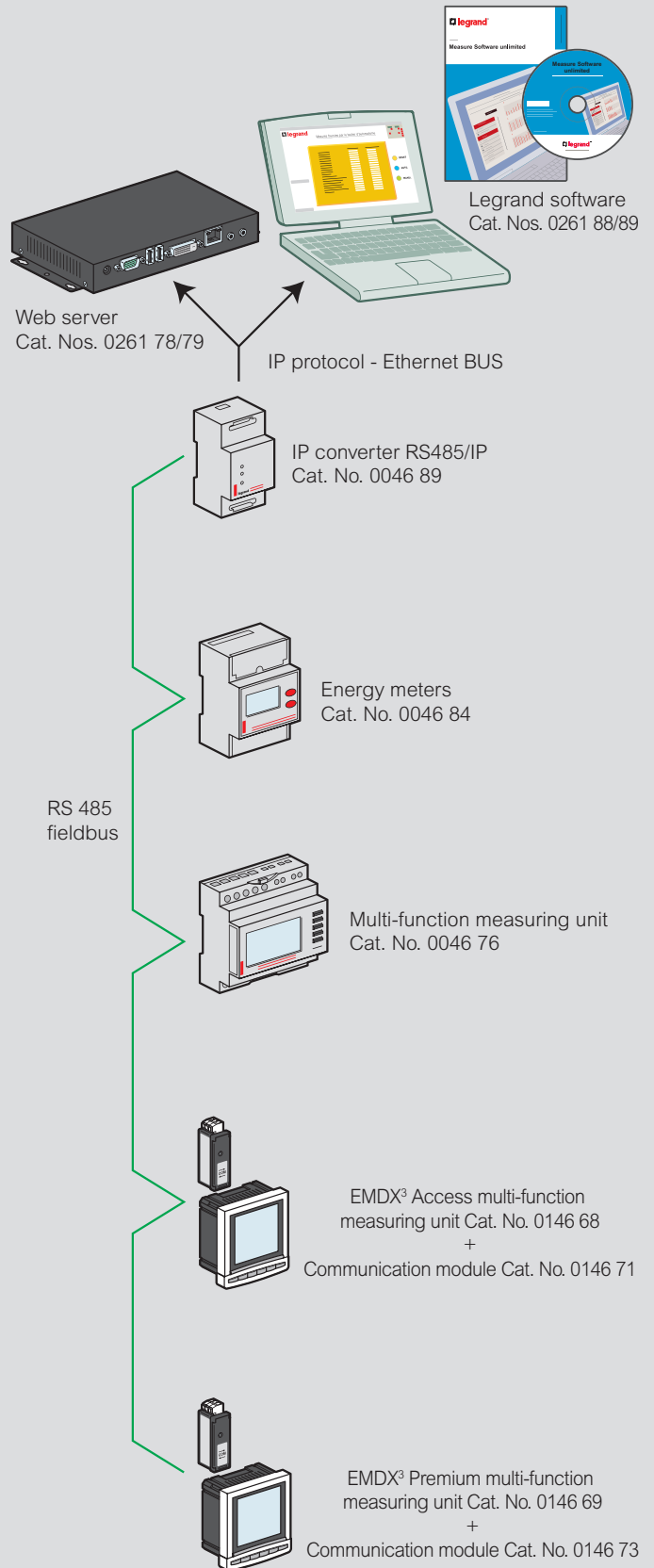


### Two phase network (2 wire)



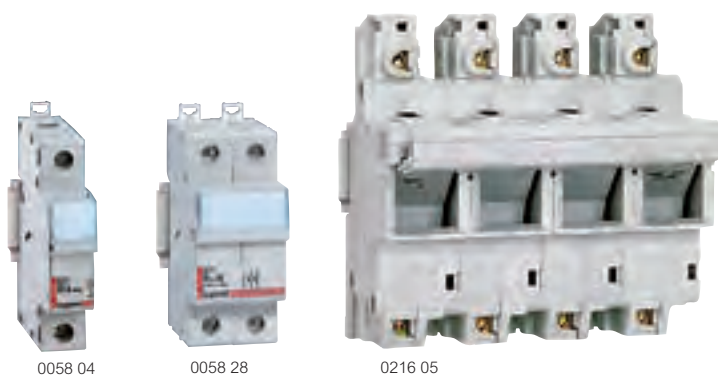
- ① Auxiliary power supply : 110 ... 400 VAC/120 ... 350 VDC  
 ② Fuse : 0.5 A gG/BS 88 2A gG/0.5 A class CC

## ■ Wiring example of communication network



## modular fuse carriers

for industrial cylindrical cartridge fuses



Dimensions **opposite**  
Accessories **p. 75**

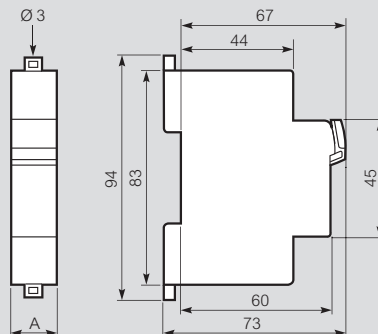
For HRC cylindrical fuses (see p. 76)

Pack	Cat. Nos.	Modular carriers for HRC type aM and gG fuses	
		Conform to IEC 60269-2/2-1, isolation to IEC 60947-3 Fix to DIN rail EN 60715 Equipped with label holder Padlockable using locking accessory Cat. No. 0057 99, p. 75 Shielded terminals max. capacity 2 x 10 mm <sup>2</sup> Double insulated Class II	
		Fuse size (mm)	Voltage ~ (Volts)
			No. of 17.5 mm modules
		<b>Single pole</b>	
10	0058 04	Disconnectable neutral	500
10	0058 06	8.5 x 31.5	400
10	0058 08	10 x 38	500
		<b>Single pole + Neutral</b>	
10	0058 16	8.5 x 31.5	400
10	0058 18	10 x 38	500
		<b>Double pole</b>	
5	0058 28	10 x 38	500
		<b>Triple pole</b>	
3	0058 38	10 x 38	500
		<b>Triple pole + Neutral</b>	
2	0058 48	10 x 38	500

		SP isolating fuse carriers with protected terminals	
		For isolation and protection of electrical circuits Conform to IEC 60269-2 and BS EN 60269-2 Bureau Veritas approved Height under front plate : 44 mm Fix to DIN rail EN 60715 or with screws	
		<b>SP 51 for HRC type aM and gG fuses 14 x 51</b>	
		Connection	No. of 17.5 mm modules
5	0215 01	Single pole	1.5
1	0215 03	Double pole	3
1	0215 04	Triple pole	4.5
1	0215 05	Triple pole + disconnectable neutral	6
		<b>SP 58 for HRC type aM and gG fuses 22 x 58</b>	
		Connection	No. of 17.5 mm modules
3	0216 00	Disconnectable neutral	2
3	0216 01	Single pole	2
1	0216 04	Triple pole	6
1	0216 05	Triple pole + disconnectable neutral	8

### Modular fuse carriers

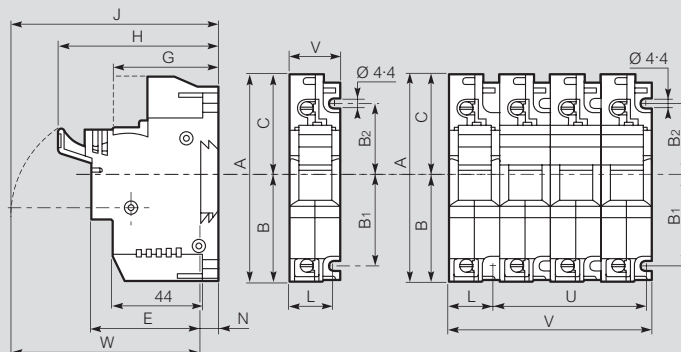
Conform to IEC 60269-2/2-1, isolation to IEC 60947-3  
Icc : 20 kA with 8.5 x 31.5 fuse  
100 kA with 10 x 38 fuse  
Operating temperature : -5 °C to +40 °C  
Mechanical resistance : IPXX 3



In mm	A
Single pole	17.7
Single pole + N	17.7
Double pole	35.5
Triple pole	53.4
Triple pole + N	71.2

### SP 51 and SP 58 fuse carriers

Conform to IEC 60269-2 and BS EN 60269-2  
Bureau Veritas approved



In mm	A	B	B <sub>1</sub>	B <sub>2</sub>	C	E	G	H 1 P	H multi.	J 1 P
SP 51	106	54.5	45	35	51.5	55	53	81	84	96
SP 58	140	74	65	45	66	59	53	87	90	111

In mm	J multi.	L	N	U 2 P	U 3 P	U 4 P	V 1 P	V 2 P	V 3 P	V 4 P	W 1 P	W multi.
SP 51	99	20.7	9	26.5	53	79.5	26.5	53	79.5	106	87	90
SP 58	114	27	9	36	72	108	36	72	108	144	101	109

### Choice of equipment

Type	Rated current	Maximum cartridge rating			
		400 V ~		500 V ~	
		gG	aM	gG	aM
SP 51	50 A	50	50	50	40
SP 58	100 A (125 A in 400 V)	125	125	100	100

Protection index : IP 2X - IP 2X C - under front plate

### Equipment derating

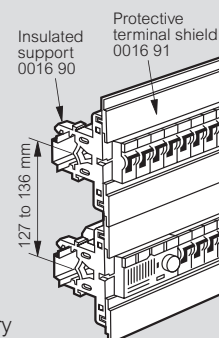
Justified under more severe conditions of use :

- Ambient temperature over 35 °C : derate fuse by one rating per 10 °C (UTE C 20-051)
- Side-by-side equipment in simultaneous function

2 or 3 devices	0.9 x I <sub>n</sub>
4 or 5 devices	0.8 x I <sub>n</sub>
6, 7, 8 or 9 devices	0.7 x I <sub>n</sub>
≥ 10 devices	0.6 x I <sub>n</sub>

This coefficient is to be applied on the nominal rating of the base (IEC 60439-1)  
Continuous operation : it may be necessary to upgrade the bases by one size

### Modular protective terminal shield mounting (see p. 75)



Download the full file at

<http://assets.kempstoncontrols.com/doc/Legrand%20Industrial%20and%20power%20protection%20catalogue.pdf>



**KEMPSTON**  
CONTROLS