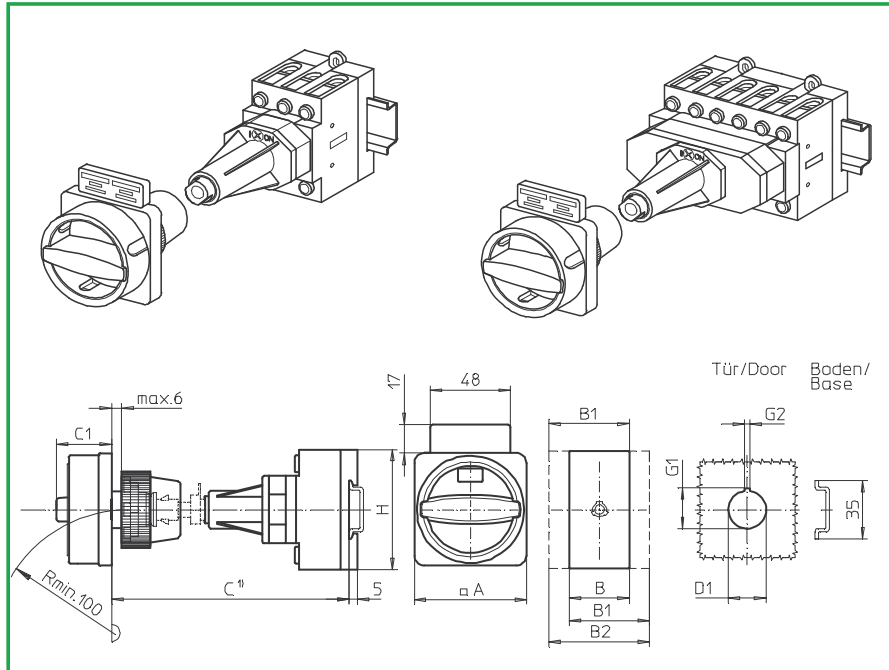


Base Mounting Switches

sälzer



**Product lines
B200-A/ -D**

Base mounting switch

Door interlock
Metal shaft extension

Single hole mounting
ø 22,5 mm front

281N1 (IP66)
281N4 (IP66)

Complete switch	Poles	Product lines	Rated data (IEC 60947)			Order code number
			Operational current I _o	Operational power at 380–440 V		
			AC-21A A	AC-23A kW	AC-3 kW	
Main Switches OFF position padlockable 09h	3 ... 8	B200-A/ -D	50 63	18,5 22	15 18,5	B250 - 41 ... - 281N1 B263 - 41 ... - 281N1
Main/Emergency-Off Switches OFF position padlockable 09h	3 ... 8	B200-A/ -D	50 63	18,5 22	15 18,5	B250 - 41 ... - 281N4 B263 - 41 ... - 281N4

SMD modules for basic switch A02

Mounting form module for 281N.

B200-A/ -D

BFB2 - 281

N-padlock device 67 x 67 mm, mounting form 281N1
Escutcheon black, padlockable handle black

2GN1

N-padlock device 67 x 67 mm, mounting form 281N4
Escutcheon yellow, padlockable handle red

2GN4

Additional top escutcheon plate

FAZ2 - 8041

Dimensions (mm)

Product lines	A	B	B1	B2	C1	D1	G1	G2	H
B200-A	67	50	69	88	33	22,5	24,2	3,2	72
B200-D	67	100	119	138	33	22,5	24,2	3,2	72

C¹) Internal depth, outside of door to top of DIN rail. Metal shaft is not included. Please order separately. See page B6-9.