



MIDI G SERIES

- Miniature 11.5 x 20 x 36mm
- Polarised lens
- Housing sealed to IP67
- Light On/Dark On switchable
- Response time 0.5ms
- Brackets and reflector included
- Cabled or Connector types

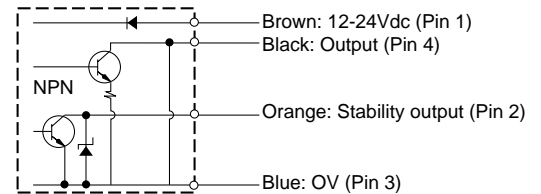
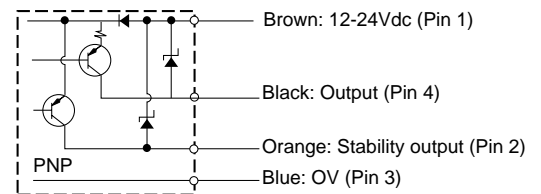
SPECIFICATIONS

Type No.	Side On	GT5RS	GMR2RS	GMR2RS-NF	GSR05RS
	Basic	GT5R	GMR2R	-	GSR05R
Function		Throughbeam	Polarised Retro-reflective	Retro-reflective	Diffused
Range		7m	1.5m*	4m**	0.5m***
Response Time		<0.5ms			
Current Consumption		Transmitter 20mA Receiver 15mA	<35mA		
Hysteresis		-	-		Maximum 10%

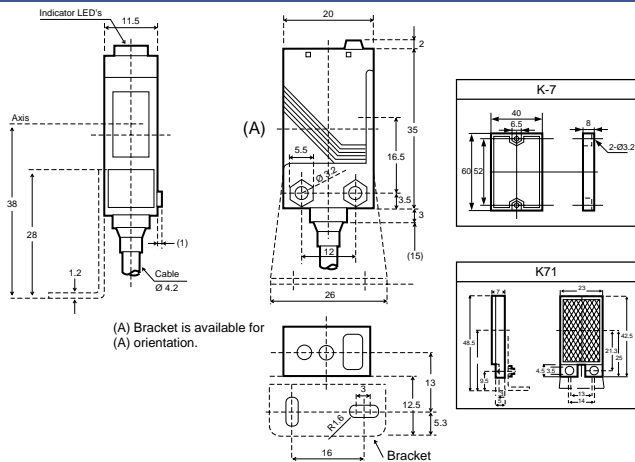
- Light source: Red LED (700nm)
- Power supply: 12-24VDC ± 10% max ripple 10%
- Output: 100mA at 30VDC max
- Max. ambient light: 5,000 lux
- Indication: Throughbeam;
- Transmitter: power on - red LED. Receiver: detection - red LED stability - green LED Diffuse & Retro-reflective; Detection-red LED, stability - green LED
- Sensitivity adjustment: Potentiometer
- Temp. range: -25°C to +55°C
- Protection: IP67
- Housing: Polycarbonate
- Connection: Flying lead 3x0.5mm², 2m long (Transmitter 2x0.5mm², 2m long) or M8 4 Pin Connector

* Using K-71 reflector (0.03-2.5m with K-7 reflector) ** Using K-71 reflector (0.03-6m using K-7 reflector) *** Using 100x100mm white paper.

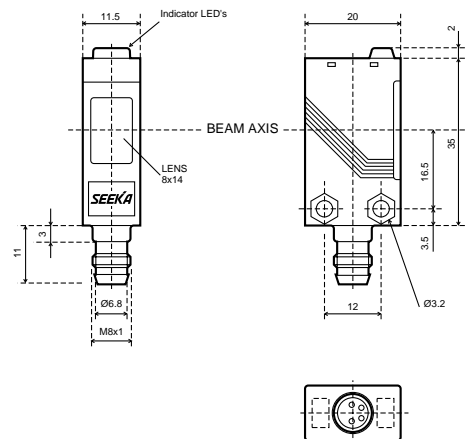
WIRING



DIMENSIONS (CABLED VERSION)



DIMENSIONS (CONNECTOR VERSION)



ORDERING GUIDE

Type Number	Description	Output	Range	Type Number	Description	Output	Range
GT5RS-NPN-N	Throughbeam side on	NPN	7m	GMR2R-PNP-N	Retro-reflective	PNP	1.5m
GT5RS-PNP-N	Throughbeam side on	PNP	7m	GSR05RS-NPN-N	Diffused side on	NPN	0.5m
GT5R-NPN-N	Throughbeam	NPN	7m	GSR05RS-PNP-N	Diffused side on	PNP	0.5m
GT5R-PNP-N	Throughbeam	PNP	7m	GSR05R-NPN-N	Diffused	NPN	0.5m
GMR2RS-NPN-N	Retro-reflective side on	NPN	1.5m	GSR05R-PNP-N	Diffused	PNP	0.5m
GMR2RS-PNP-N	Retro-reflective side on	PNP	1.5m	K-71	Reflector (included)		
GMR2RS-NF	Retro-reflective side on	NPN	4m	K-7	Reflector		
GMR2R-NPN-N	Retro-reflective	NPN	1.5m				

*For Connector types add -J to the part number. e.g. GSR05RS-NPN-NJ