

FEATURES

- The piston cartridge pulse valves are especially designed for dust collector service applications, combining high flow, long life and extremely fast opening and closing to produce reliable and economical operation
- The angle bodies and special piston cartridge result in unique operating features required for dust collector service applications
- The high quality polyacetal (POM) piston cartridge guarantees a long operating life and a large temperature range
- The design with Quick Mount connections eliminates the time consuming thread cutting and sealing resulting in maximum flexibility while the valve will be anchored to the pipes
- Built-in silencers reduce noise and prevent foreign particles from entering the valve
- The integral operators are provided with epoxy moulded F-class coils. Various optional waterproof and explosionproof solenoids for use in potentially explosive atmospheres (gas & dust) according to Directive ATEX 94/9/EC can be mounted on the same basic valve (see pages 49 to 57)
- The components satisfy all relevant EC directives

GENERAL

Differential pressure (PS) 0,3 - 8,5 bar [1 bar = 100kPa]
Ambient temperature range -20 to +85°C

fluid	temperature range (TS)	piston
air	-20 to +85°C	POM (polyacetal)

CONSTRUCTION

Body	Aluminium
Bonnet	Aluminium
Quick Mount clamps	Steel
Bolts	Steel
Core tube	Stainless steel
Core and plugnut	Stainless steel
Core spring	Stainless steel
Sealings & disc	NBR (nitrile)
Piston/cartridge	POM (polyacetal) / NBR (nitrile)
Shading coil	Copper
Coil insulation class	F
Connector	Spade plug (cable Ø 6 - 8 mm)
Connector specification	3 x DIN 46244
Electrical safety	IEC 335

ELECTRICAL CHARACTERISTICS

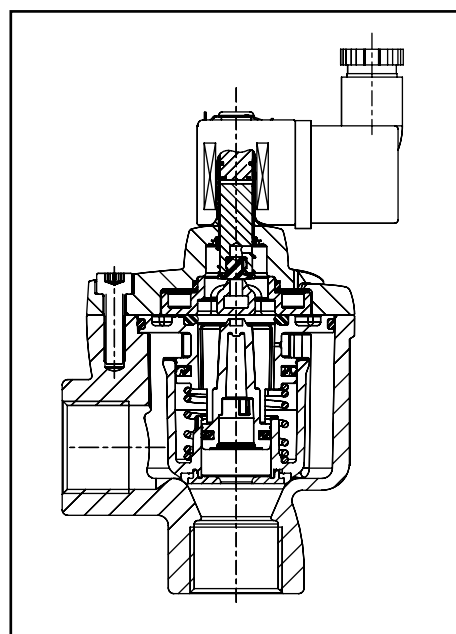
Standard voltages DC (=) : 24V
(Other voltages and 60 Hz on request) AC (~) : 24V - 115V - 230V / 50 Hz

coil type	nominal power ratings				ambient temperature range (°C)	protection
	inrush ~ (VA)	holding ~ (VA)	hot/cold = (W)	hot/cold = (W)		
CM22-FB	14,5	11	6,3	-	-20 to +85	moulded IP65
CM22-FI (1)	-	-	-	15 / 22		

SPECIFICATIONS

pipe size	orifice size (mm)	flow coefficient Kv		operating pressure differential (bar)		coil type		catalogue number		Quick Mount clamps
		(m³/h)	(l/min)	min.	max. (PS) air	~	= (1)	standard	ATEX dust II3D	
(G*) - Threaded pipe connection										
3/4	20	14	233	0,3	8,5	CM22-FB	CM22-FI	SC E353A811	SCDU E353A811	-
1	25	23	383	0,3	8,5	CM22-FB	CM22-FI	SC E353A821	SCDU E353A821	-
1 1/2	40	46	768	0,3	8,5	CM22-FB	CM22-FI	SC E353A831	SCDU E353A831	-
(Ø) - Quick Mount connection on inlet										
3/4	20	14	233	0,3	8,5	CM22-FB	CM22-FI	SC S353A811	SCDU S353A811	C117-281
1	25	23	383	0,3	8,5	CM22-FB	CM22-FI	SC S353A821	SCDU S353A821	C117-282
1 1/2	40	46	768	0,3	8,5	CM22-FB	CM22-FI	SC S353A831	SCDU S353A831	C117-290
(Ø) - Quick Mount connection on inlet & Outlet										
3/4	20	14	233	0,3	8,5	CM22-FB	CM22-FI	SC S353A711	SCDU S353A711	C117-281
1	25	23	383	0,3	8,5	CM22-FB	CM22-FI	SC S353A721	SCDU S353A721	C117-282
1 1/2	40	46	768	0,3	8,5	CM22-FB	CM22-FI	SC S353A731	SCDU S353A731	C117-290

(1) Intermittent duty, Relative Duty Time is 10%. Max. on time 1 min.



OPTIONS

- Waterproof enclosure with embedded screw terminal coil according to protection class IP67, CEE 10.
- Explosionproof solenoids for hazardous locations according to "ATEX" and national standards.
- Explosionproof and watertight solenoids according to "NEMA" standards.
- Plug with visual indication and/or peak voltage suppression.
- Electronic timer.

INSTALLATION

- The valves can be mounted in any position without affecting operation.
- Pipe connection identifiers are: G*= combination thread according to ISO 228/1 and ISO 7/1 or Ø for Quick Mount.
- For Quick Mount types tightness is achieved by the O-ring sealing on the pipes (3/4"=Ø26,4 to 27,4 and 1"=Ø33,2 to 34,2 and 1 1/2"=Ø47,8 to 48,8) according to ISO 4200.
- Other pipe threads are available on request.
- Installation/maintenance instructions are included with each valve.
- Spare parts kit and replacement coils are available.

DIMENSIONS (mm), WEIGHT (kg)

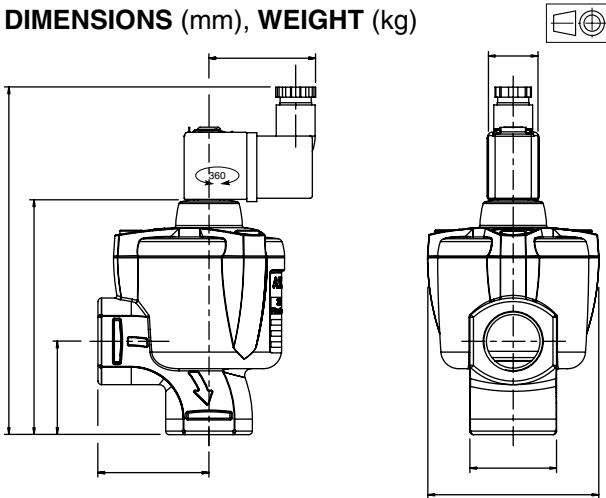


Fig. 1: Threaded type

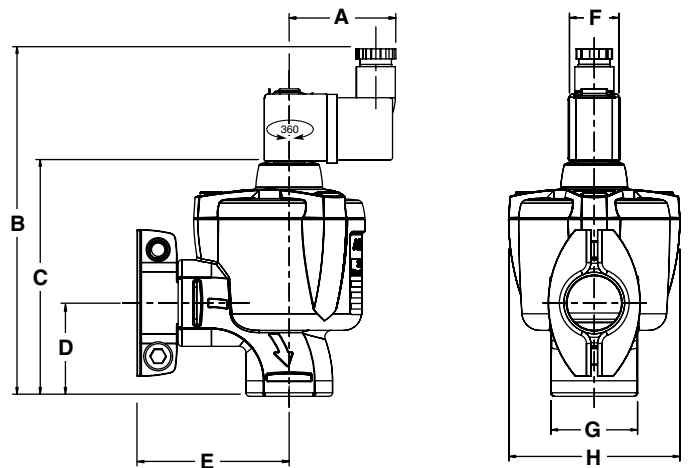


Fig. 2: Quick Mount type (inlet only)

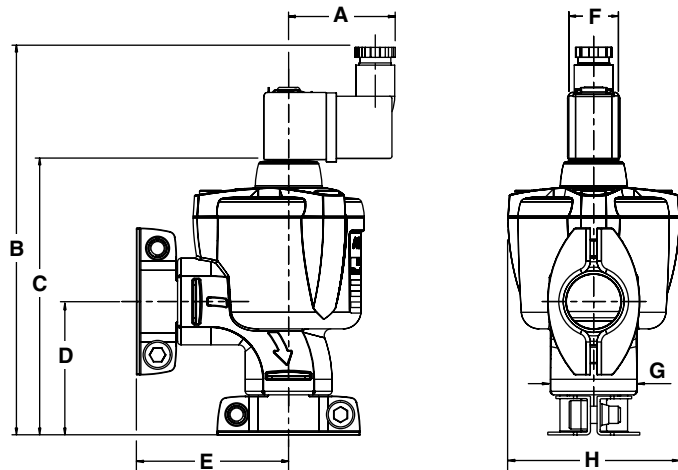
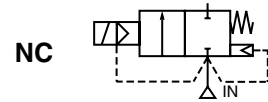


Fig. 3: Quick Mount type (inlet & outlet)

catalogue number	A	B	C	D	E	F	G	H	weight (1)	(C)
SC(DU) E353A811	48	156	106	42	50	22	39	77	0,52	Fig.1
SC(DU) E353A821	48	162	112	51	62	22	46	77	0,63	Fig.1
SC(DU) E353A831	48	191	141	60	71	22	62	112	1,17	Fig.1
SC(DU) S353A811	48	156	106	42	70	22	39	77	0,60	Fig.2
SC(DU) S353A821	48	162	112	51	83	22	46	77	0,69	Fig.2
SC(DU) S353A831	48	191	141	60	97	22	62	112	1,37	Fig.2
SC(DU) S353A711	48	176	126	62	70	22	39	77	0,68	Fig.3
SC(DU) S353A721	48	183	133	71	83	22	46	77	0,80	Fig.3
SC(DU) S353A731	48	217	167	80	97	22	62	112	1,58	Fig.3

(1) incl. coil and connector (C) construction type

All leaflets are available on: www.asconumatics.eu



FEATURES

- The diaphragm pulse valves are especially designed for dust collector service applications, combining high flow, long life and extremely fast opening and closing to produce reliable and economical operation
- The high flow, angle type bodies, springless construction, in combination with the special diaphragm assemblies give the unique operating features required for dust collector service applications
- Integral compression fittings for fast, easy, secure installation
- Built-in silencers reduce noise and prevent foreign particles from entering the valve
- The integral operators are provided with epoxy moulded F-class coils. Various optional waterproof and explosionproof solenoids for use in potentially explosive atmospheres (gas & dust) according to Directive ATEX 94/9/EC can be mounted on the same basic valve (see pages 49 to 57)
- The valves satisfy all relevant EC directives

GENERAL

Differential pressure (PS) 0,35 - 8,5 bar [1 bar = 100kPa]
Ambient temperature range -20 to +85°C

fluids (*)	temperature range (TS)	diaphragm (*)
air	-20 to +85 °C	TPE

MATERIALS IN CONTACT WITH FLUID

(*) Ensure that the compatibility of the fluids in contact with the materials is verified

Body	Aluminium / Stainless steel 316L
Core tube	Stainless steel
Core and plugnut	Stainless steel
Core spring	Stainless steel
Sealings & disc	NBR (nitrile)
Diaphragm	TPE (thermoplastic polyester elastomer)
Shading coil	Copper
Coil insulation class	F
Connector	Spade plug (cable Ø 6 - 10 mm)
Connector specification	ISO 4400
Electrical safety	IEC 335

ELECTRICAL CHARACTERISTICS

Standard voltages DC (=): 24V
 (Other voltages and 60 Hz on request) AC (~): 24V - 115V - 230V / 50 Hz

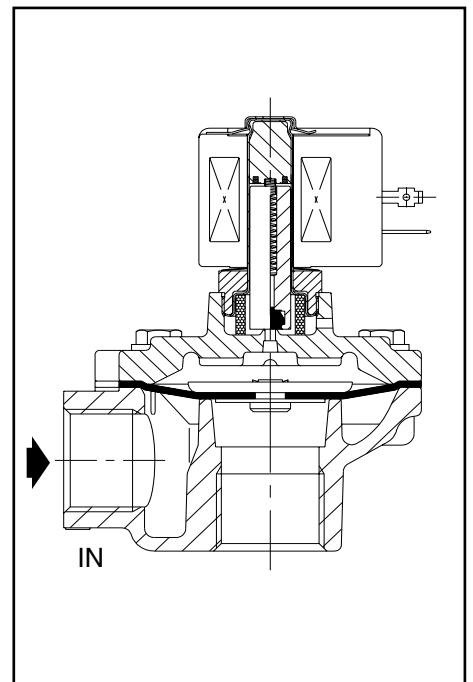
coil type	nominal power ratings			operator temperature range (TS) (°C)	protection
	inrush ~	holding ~			
	(VA)	(VA)	(W)	(W)	
CM6-FT	34	15,6	6	-	-20 to +85
CM6-FT (1)	-	-	-	14 / 20,8	
CMXX-FT	55	23	10,5	-	
CMXX-FF	-	-	-	14 / 19,7	

(1) Intermittent duty, Relative Duty Time is 10%. Max. on time is 1 min.

SPECIFICATIONS

pipe size	orifice size	flow coefficient Kv		operating pressure differential (bar)		prefix optional solenoids					catalogue number		FPM
				min.	max. (PS)	ATEX							
G	(mm)	(m³/h)	(l/min)		air (*)	SC	WP	SCDU	WP(T)DU	NF	aluminium	stainless steel 316L	
G - Threaded pipe connection													
3/4	24	14	233	0,35	8,5	•	•	•	•	•	G353A043	G353A132	V
1	27	17	283			•	•	•	•	•	G353A044	G353A133	V
Ø - Compression fitting pipe connection													
3/4	24	14	233	0,35	8,5	•	•	•	•	•	G353-052	-	V
1	27	17	283			•	•	•	•	•	G353-053	-	V

• : Available feature



OPTIONS

- Waterproof enclosure with embedded screw terminal coil according to protection class IP67, CEE 10
- Explosionproof solenoids for hazardous locations according to ATEX and national standards
- **IECEX** certification
- Compliance with “**UL**” standards
- Plug with visual indication and/or peak voltage suppression
- Electronic timer
- Valves can also be supplied with FPM (fluoroelastomer) diaphragms and seals. Use the appropriate optional suffix letter for identification

INSTALLATION

- The valves can be mounted in any position without affecting operation
- Threaded pipe connection is G (ISO 228/1) or compression fitting
- For compression fitting types tightness is achieved by the compressed gasket on the blow tube
- The use of the rubber gaskets as sealing members will allow a slight misalignment in piping when using compression fittings
- Other pipe threads are available on request
- Installation/maintenance instructions are included with each valve
- Spare parts kits and replacement coils are available

DIMENSIONS (mm), WEIGHT (kg)

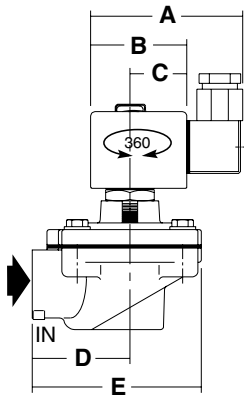


Fig. 1: Threaded pipe connection - aluminium

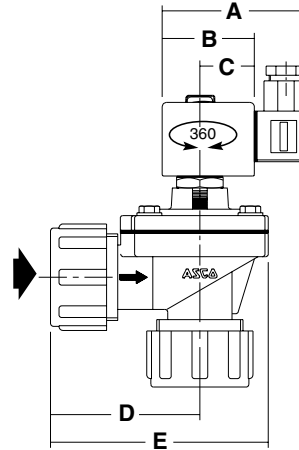
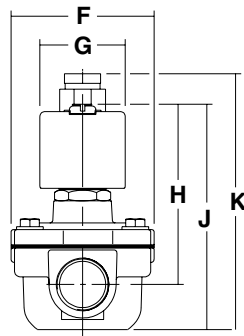


Fig. 2: Compression type fitting - aluminium

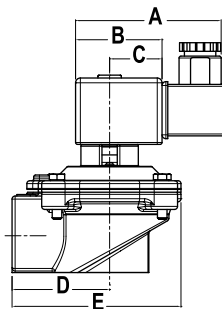
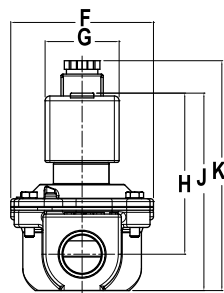
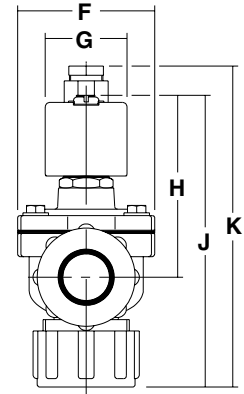


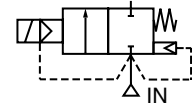
Fig. 3: Threaded pipe connection - stainless steel

catalogue number	A	B	C	D	E	F	G	H	J	K	weight (1)	(C)
SC(DU)G353A043	75	45	27	51	89	75	39	92	113	130	0,70	Fig. 1
SC(DU)G353A044	75	45	27	51	89	75	39	92	113	130	0,65	Fig. 1
SC(DU)G353-052	75	45	27	81	125	75	39	92	175	195	0,85	Fig. 2
SC(DU)G353-053	75	45	27	81	125	75	39	92	175	195	0,90	Fig. 2
SC(DU)G353A132	75	45	27	51	89	75	39	92	113	130	1,30	Fig. 3
SC(DU)G353A133	75	45	27	51	89	75	39	92	113	130	1,20	Fig. 3

(1) Incl. coil and connector

(C) Construction type

All leaflets are available on: www.asconumatics.eu



FEATURES

- The diaphragm pulse valves are especially designed for dust collector service applications, combining high flow, long life and extremely fast opening and closing to produce reliable and economical operation
- Integral compression fittings for fast, easy, secure installation
- The high quality diaphragms are reinforced and wear resistant to guarantee a long operating life, even under harsh conditions
- The integral operators are provided with epoxy moulded F-class coils. Various optional waterproof and explosionproof solenoids for use in potentially explosive atmospheres (gas & dust) according to Directive ATEX 94/9/EC can be mounted on the same basic valve (see pages 49 to 57)
- The valves satisfy all relevant EC directives

GENERAL

Differential pressure (PS) 0,35 - 8,5 bar [1 bar = 100kPa]
Ambient temperature range -20 to +85°C

fluids (*)	temperature range (TS)	diaphragm (*)
Luft	-20 to +85 °C	CR

MATERIALS IN CONTACT WITH FLUID

(*) Ensure that the compatibility of the fluids in contact with the materials is verified

Body Aluminium / Stainless steel 316L
Core tube Stainless steel
Core and plugnut Stainless steel
Core spring Stainless steel
Sealings & disc NBR (nitrile)
Diaphragm CR (chloroprene)
Shading coil Copper
Coil insulation class F
Connector Spade plug (cable Ø 6 - 10 mm)
Connector specification ISO 4400
Electrical safety IEC 335

ELECTRICAL CHARACTERISTICS

Standard voltages DC (=): 24V
(Other voltages and 60 Hz on request) AC (~): 24V - 115V - 230V / 50 Hz

coil type	nominal power ratings				operator temperature range (TS) (°C)	protection
	inrush	holding		hot/cold		
	~ (VA)	~ (VA)	(W)	= (W)		
CM6-FT	34	15,6	6	-	-20 to +85	IP65/IP67
CM6-FT ⁽¹⁾	-	-	-	14 / 20,8		IP65/IP67
CMXX-FT	55	23	10,5	-		ATEX-NF
CMXX-FF	-	-	-	14 / 19,7		ATEX-NF

(1) Intermittent duty, Relative Duty Time is 10%. Max. on time is 1 min.

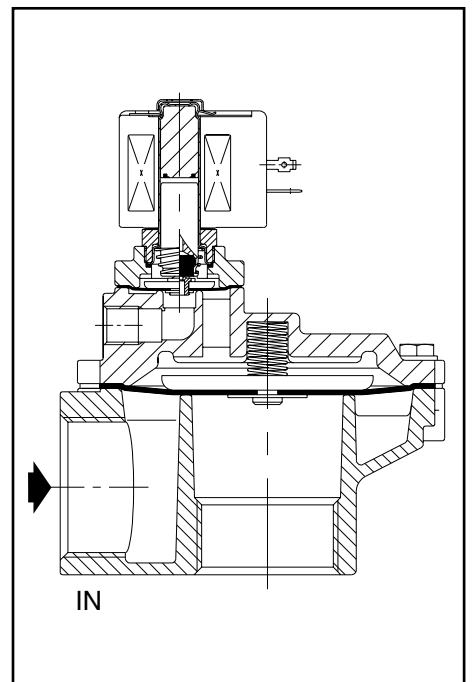
SPECIFICATIONS

pipe size	orifice size	flow coefficient Kv		operating pressure differential (bar)		prefix optional solenoids					catalogue number		FPM		
						ATEX									
						min.	max. (PS)	air (*)	SC	WP	SCDU	WP(T)DU		NF	aluminium
G - Threaded pipe connection															
1 1/2	52	44	733	0,35	8,5	•	•	•	•	•	•	•	G353A047	G353A134 ⁽¹⁾	V
2	66	77	1290	0,35	8,5	•	•	•	•	•	•	•	G353A050	-	V
2 1/2	66	92	1540	0,35	8,5	•	•	•	•	•	•	•	G353A051	-	V
3	76	170	2833	1	6	•	•	•	•	•	•	•	G353.060 ⁽¹⁾	-	V
Ø - Compression fitting pipe connection															
1 1/2	52	44	733	0,35	8,5	•	•	•	•	•	•	•	G353A065 ⁽²⁾	-	V

• : Available feature

(1) Contains spring above the main diaphragm

(2) Threaded pipe connection is external (male thread)



DP14241GB-2012/R01 Availability, design and specifications are subject to change without notice. All rights reserved.

OPTIONS

- Waterproof enclosure with embedded screw terminal coil according to protection class IP67, CEE 10
- Explosionproof solenoids for hazardous locations according to ATEX and national standards
- **IECEX** certification
- Hose connection executions (3" only)
- Compliance with "UL" standards
- Plug with visual indication and/or peak voltage suppression
- Electronic timer
- Valves can also be supplied with FPM (fluoroelastomer) diaphragms and seals. Use the appropriate optional suffix letter for identification

INSTALLATION

- The valves can be mounted in any position without affecting operation
- Threaded pipe connection is G (ISO 228/1) or compression fitting
- For compression fitting types tightness is achieved by the compressed gasket on the blow tube
- The use of the rubber gaskets as sealing members will allow a slight misalignment in piping when using compression fittings
- Other pipe threads are available on request
- Installation/maintenance instructions are included with each valve
- Spare parts kits and replacement coils are available

DIMENSIONS (mm), WEIGHT (kg)

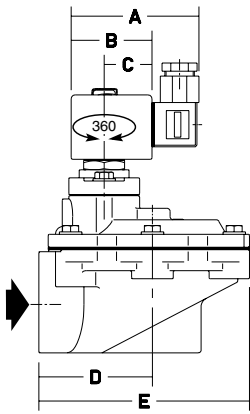


Fig. 1: Threaded pipe connection - aluminium

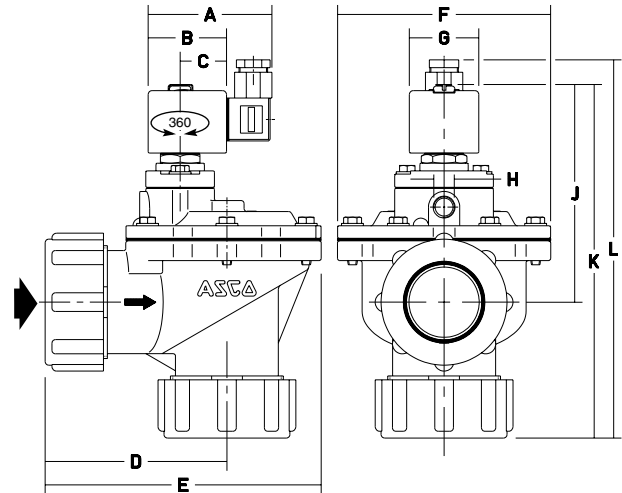


Fig. 2: Compression type fitting - aluminium

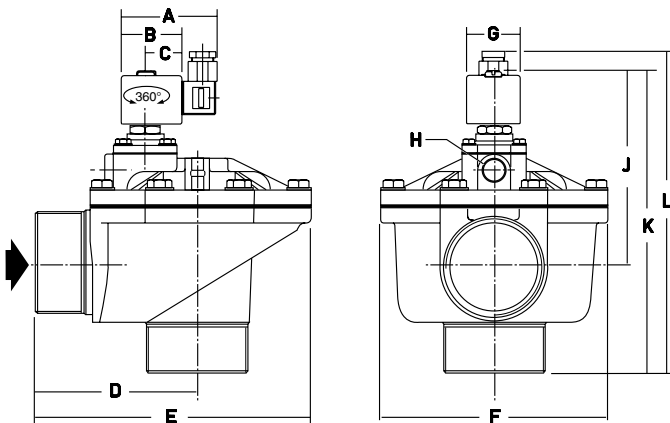


Fig. 3: External threaded type - aluminium

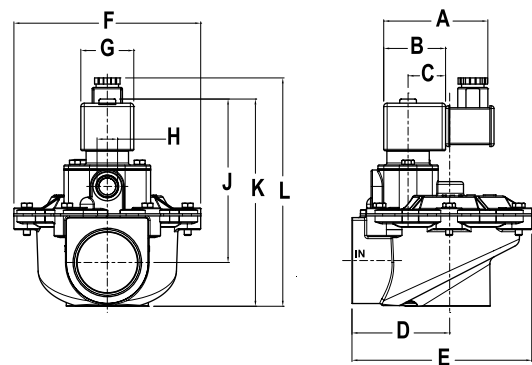


Fig. 4: Threaded pipe connection - stainless steel

catalogue number	A	B	C	D	E	F	G	H	J	K	L	weight (1)	(C)
SC(DU)G353A047	80	50	30	71	130	136	45	G 3/8	131	161	178	1,4	Fig. 1
SC(DU)G353A050	80	50	30	95	168	165	45	G 3/4	165	210	227	2,9	Fig. 1
SC(DU) G353-051	80	50	30	95	168	165	45	G 3/4	165	210	227	2,6	Fig. 1
SC(DU) G353-060	80	50	30	143	240	192	45	G 1/2	165	258	275	4,1	Fig. 2
SC(DU)G353A065	80	50	30	117	177	136	45	G 3/8	131	225	242	1,75	Fig. 3
SC(DU)G353A134	80	50	30	71	130	136	45	G 3/8	131	161	178	2,5	Fig. 4

(1) Incl. coil and connector

(C) Construction type

All leaflets are available on: www.asconumatics.eu

FEATURES

- Power Pulse Tank System using aluminium profile and end covers with CE approval according to Directive 97/23/EC for Pressure Equipment
- Full immersed valve system with special springless piston/diaphragm design offers highest peak pressure and best flow performance operating features required for dust collector applications
- The high quality TPE piston/diaphragm guarantees a long operating life and a large temperature range
- Possibility to apply different combinations of pitch distances and upto 24 valves
- Easy to connect to other tank systems. Service connections for different accessories such as: filter regulator, pressure gauge, safety valve and automatic/manual drain valve
- Several blow pipe connections available, such as: Quick Mount, push-in, hose or threaded
- Built-in silencers reduce the noise and prevent foreign particles from entering the valve
- The integral operators are provided with epoxy moulded F-class coils. Various optional waterproof and explosionproof solenoids for use in potentially explosive atmospheres (gas & dust) according to Directive ATEX 94/9/EC can be mounted on the same basic valve (see pages 49 to 57)



GENERAL

Differential pressure (PS) 0,3 to 8,5 bar [1 bar = 100 kPa]
Ambient temperature range -20°C to +85°C

Tank System

volume 0,20 dm³ per cm tank
recommended min. tank volume 10 dm³ (equals to 500 mm tank length)
min. pitch distance 120 mm
maximum length 3000 mm
min. pulse time 50 ms

fluid	temperature range (TS)	piston/diaphragm
air	-20 to +100 °C	TPE (thermoplastic polyester elastomer)

CONSTRUCTION

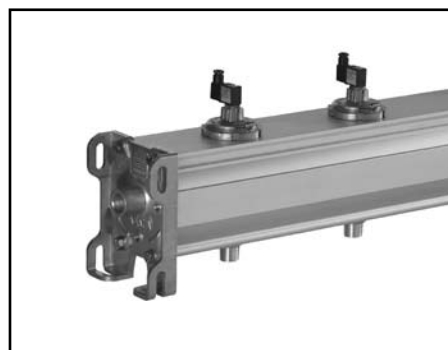
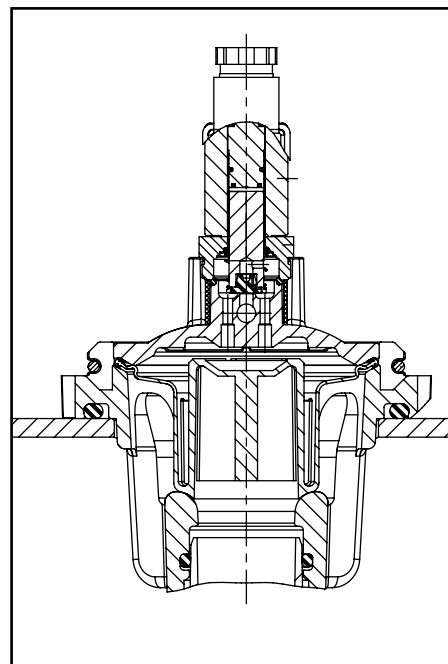
Tank	Anodized aluminium
Adapter/body	Aluminium
Clipping	Stainless steel
Clamps	Stainless steel
Bolts (clamps)	Stainless steel
Core tube	Stainless steel
Core and plugnut	Stainless steel
Core spring	Stainless steel
Sealings & disc	NBR (nitrile)
Piston/diaphragm	TPE (thermoplastic polyester elastomer)
Shading coil	Copper
Coil insulation class	F
Connector	Spade plug (cable Ø 6 - 8 mm)
Connector specification	3 x DIN 46244
Electrical safety	IEC 335

ELECTRICAL CHARACTERISTICS

Standard voltages DC (=) 24V
 (Other voltages and 60 Hz on request) AC (-) 24V - 115V - 230V/50Hz

coil type	nominal power ratings				ambient temperature range (°C)	protection
	inrush	holding		hot/cold		
	~ (VA)	~ (VA)	~ (W)	= (W)		
CM22-FT	14,5	11	6,3	-	-20 to +85	moulded IP65
CM22-FI (1)	-	-	-	15/22	-20 to +85	moulded IP65

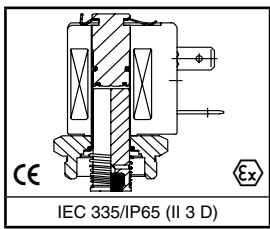
(1) Intermittent duty, Relative Duty Time is 10%. Max. on time 1 min.



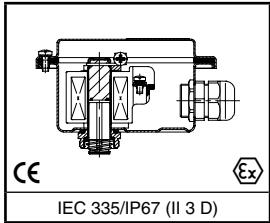
SPECIFICATIONS

pipe size	orifice size (mm)	flow coefficient Kv (m³/h) (l/min)		operating pressure differential (bar)			coil type		catalogue number
				min.	maximum (PS)		~	=	
					air				
1"	25	23	384	0,30	~ 8,5	= 8,5	~ CM22-FT	= CM22-FI	.. E355A ...

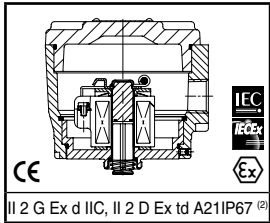
ORDERING INFORMATION - for example: SC E355A J 06 (Specify Voltage/Hz) + **Dimension code (specified on next page)**



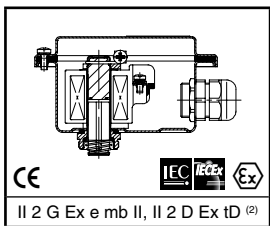
SC (DU) E 3 5 5 A



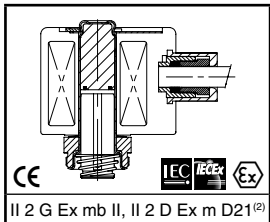
WP (WPDU)



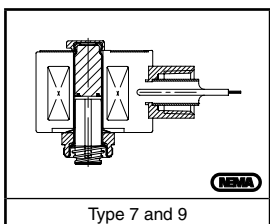
NF



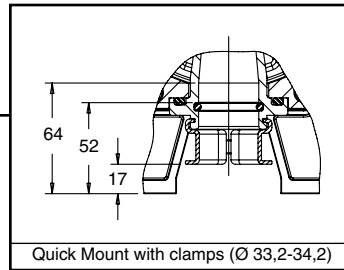
EM



PV



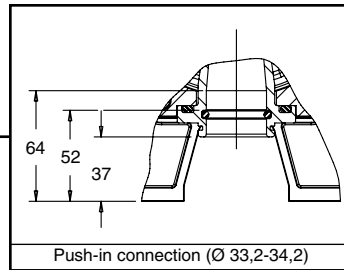
EF



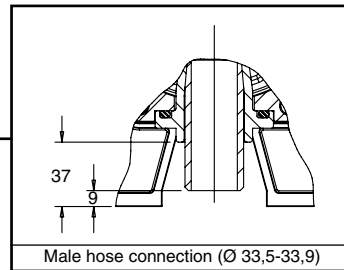
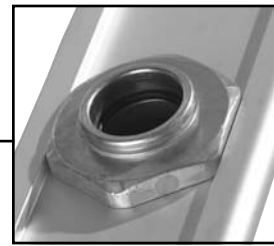
J



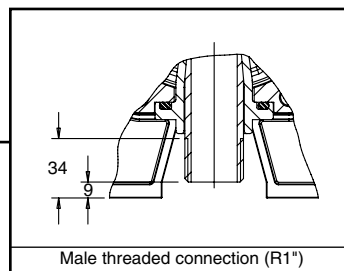
06 ⁽¹⁾



K



L



M



⁽¹⁾ Specify required number of valves between 01 and 24

⁽²⁾ Exact temperature class depends on wattage and max. ambient temperature (see also page 48 to 56)

ORDERING INFORMATION DIMENSION CODE

Start distance	A	(min. 110 mm)
Standard pitch	B/C/D	(min. 120 mm)
Deviating pitch	B/C/D	(min. 120 mm)
End distance	A	(min. 110 mm)

Example I: Dimension code for a 4 valves tank system:

Operator	SC, 24V/DC
Connection	Quick Mount
Number of valves	4 pcs
Start and End distance	110 mm
Standard pitch	120 mm
Deviating pitch	Between valve 2 and 3 is position C (see fig. 2); 150 mm
Catalogue number	SC E355AJ04 24V/DC
Dimension code	110120C150
Complete order number	SC E355AJ04 24V/DC + 110120C150

Example II: Dimension code for a 8 valves tank system:

Operator	SC, 230/50
Connection	Thread
Number of valves	8 pcs
Start and End distance	150 mm
Standard pitch	160 mm
Deviating pitch	Between valve 2 and 3, 4 and 5, 6 and 7 is position C, E and G; 200 mm
Catalogue number	SC E355AM08 230/50
Dimension code	150160CEG200
Complete order number	SC E355AM08 230/50 + 150160CEG200

For assistance please consult our website: www.asconumatics.eu


DIMENSIONS (mm), WEIGHT (kg) 

Fig. 1 (front view)

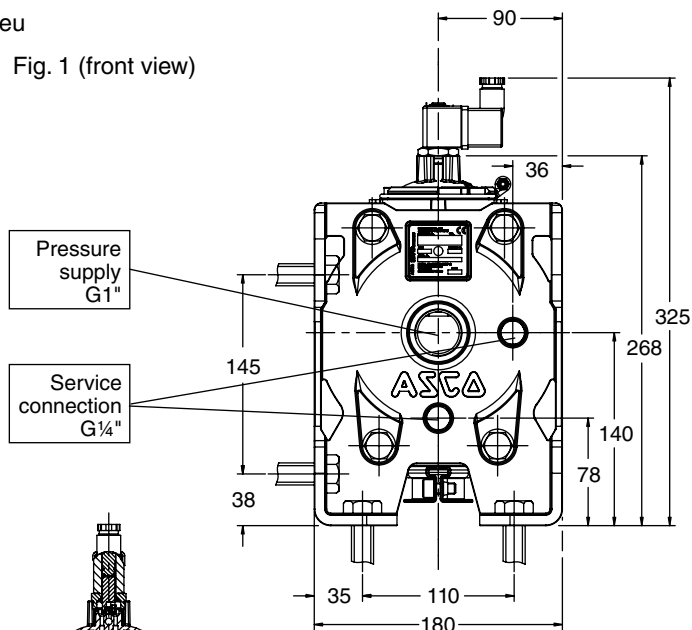
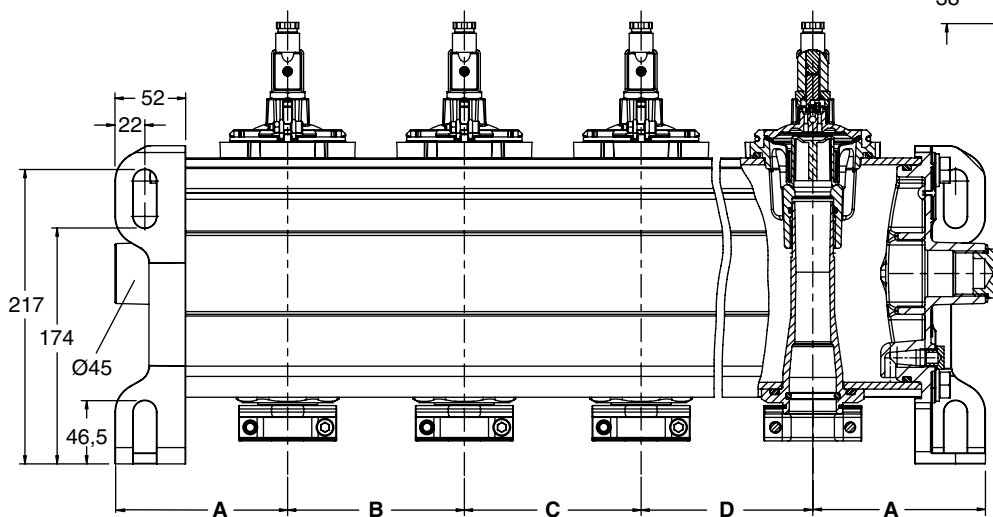


Fig. 2 (side view)



OPTIONS


- Special customized executions
- Waterproof enclosures with embedded screw terminal coil according to protection class IP67, CEE 10
- Explosionproof solenoids for hazardous locations according to "ATEX" and national standards
- Explosionproof and watertight solenoids according to "NEMA" standards
- Separate Quick Mount clamps for outlet connection; kit number: **C132-679**

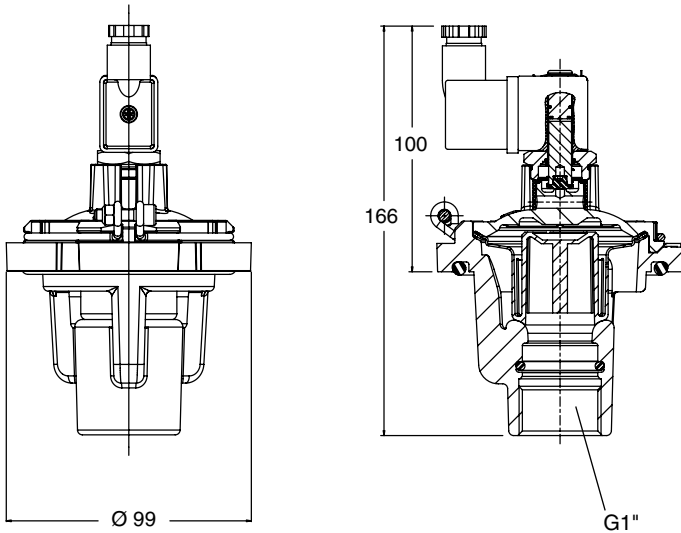
INSTALLATION

- Tank system can be mounted in any position using the standard brackets integrated in the end cap (M12 bolts recommended) without affecting operation
- Pipe connection identifier is: R = according to ISO 7/1, G = according to ISO 228/1 or Ø for other outlet connections
- For Quick Mount types tightness is achieved by the O-ring sealing on the pipe (1" = Ø33,2 to 34,2) according to ISO 4200
- Installation/maintenance instructions and declaration of conformity are included with each tank system
- Spare valves, spare parts kits and coils are available

SEPARATE / SPARE POWER PULSE VALVES

FEATURES - (same as for the tank system)

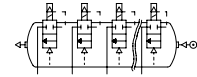
DIMENSIONS (mm), **WEIGHT** (kg) 



SPECIFICATIONS

pipe size	standard catalogue catalogue number	ATEX dust II3D catalogue number	weight (1)
(G) Female threaded connection (ISO 228/1)			
1"	SC E353A237	SCDU E353A237	0,558

(1) = incl. coil and connector



FEATURES

- Tank system using aluminium profile and end covers with CE approval according to Pressure Equipment Directive 97/23/EC, modules B1+D
- For use in dust collector applications requiring high flow capacity and accurate process control
- Full immersed valve system with polychloroprene (CR) diaphragm design offers highest peak pressure and best flow performance
- The high quality polychloroprene (CR) diaphragm guarantees a long operating life and a large temperature range
- Possibility to apply different combinations of pitch distances and up to 18 valves
- Easy to connect to other tank systems. Service connections for different accessories such as: filter regulator, pressure gauge, safety valve and automatic/manual drain valve
- Several blow pipe connections available, such as: Quick Mount, push-in, hose or male or female threaded
- Tanks are available in a direct control valve version with a selection of coil systems and voltages or as a remote control, single or double diaphragm version for external pilot valves or pilot boxes
- The integral operators are provided with epoxy moulded F-class coils. Various optional explosionproof solenoids for use in potentially explosive atmospheres according to Directive ATEX 94/9/EC, Zones 21+22 can be mounted



GENERAL

Pressure inlet connection	ISO 228/1, G 1 1/2" female
Air operating pressure	min. 1,0 max. 8,0 bar
Safety pressure	12,2 bar
Flow rate	Kv 43,3 = 724 l/min
Ambient temperature range	-20°C to +85°C

Tank System

volume	0,314 dm ³ / cm
recommended min. tank volume	15 dm ³
min. pitch distance	end cap 110 mm for bracket 120 mm; between valve 160 mm
maximum length	3000 mm

The tank system can be mounted in any position without affecting operation

fluids	temperature range (TS)	diaphragm
air	-20 to +100 °C	CR (polychloroprene)

CONSTRUCTION

Tank	Anodised aluminium profile EN AW-6060 T66
Valve, outlet adapter	Die-cast aluminium GD-ALSi12 to EN 1706
End caps	Die-cast aluminium GD-ALSi12 to EN 1706
Spring	Stainless steel
Plugs	PA (polyamide)
Sealings & disc	NBR (nitrile)
Screws	Steel 8.8
Diaphragm	CR (optionally FPM or TPE)
Mounting brackets	stainless steel AISI 304 (1.4301)
Shading coil	Copper

ELECTRICAL CHARACTERISTICS

Coil insulation class	F
Connector	Spade plug (cable Ø 6-10 mm)
Connector specification	3 x DIN 46244
Electrical safety	IEC 335
Standard voltages	DC (=) : 24V
(Other voltages and 60 Hz on request)	AC (~) : 24V - 120V - 230V / 50 Hz

coil type	nominal power ratings				operator temperature range (TS) (°C)	protection
	inrush ~ (VA)	holding ~ (VA) (W)		hot/cold = (W)		
CMXX-FT	55	23	10,5	-	-20 to +85	moulded IP65
CMXX-FF	-	-	-	14 / 19,7		

ALUMINIUM TANK SYSTEM

HOW TO ORDER

15-DIGIT PRODUCT CODE

G 355 B 8 M B S 0000 F1

Thread connection

G = ISO 228/1

Product series

355

Revision letter

B

Diameter code / diaphragm material

8 = 8" / Polychloroprene (CR)

F = 8" / Fluoroelastomer (FPM)

C = 8" / Thermoplastic polyester elastomer (TPE)

Only for single stage remote version

Outlet connection type

K = Push-in with clamps

W = Push-in without clamps

U = Male hose connection

M = Male thread connection

F = Female thread connection

Number of valve stations

1 = 1

... ..

A = 10

B = 11

C = 12

D = 13

E = 14

F = 15

G = 16

H = 17

J = 18

Voltage - class

F1 = 24 DC - Class F

FL = 24/50 - Class F

FH = 230/50-60 - Class F

F2 = 120/60 - Class F

00 = All remote valves no voltage required

Dimensions and option code

Consult our Dynamic Product Modeling Tool on: www.asconumatics.eu

Mounting brackets (2 or 3) depending on total weight

Silencer for double stage valves

Pitch/dimensions

Dimension code for distance between valves, end caps and mounting brackets is determined by ASCO

Actuation

1 = Remote single stage prepared for pilot box, incl. brackets; push in fittings; plastic tube

2 = Remote double stage prepared for pilot box, incl. brackets; push in fittings; plastic tube

3 = Remote control single stage

4 = Remote control double stage

5 = Remote single stage prepared for pilot box ATEX II G/D

6 = Remote double stage prepared for pilot box ATEX II G/D

7 = Remote control single stage ATEX II G/D

8 = Remote control double stage ATEX II G/D

S = Solenoid operators SC IP65 ISO 4400

D = Solenoid operators SG ATEX 3D

N = Solenoid operators NF ATEX 2G/D

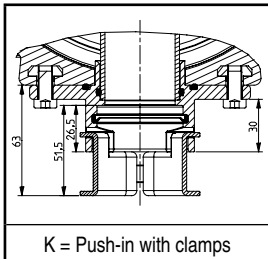
E = Solenoid operators EM ATEX 2G/D

P = Solenoid operators PV ATEX 2G/D

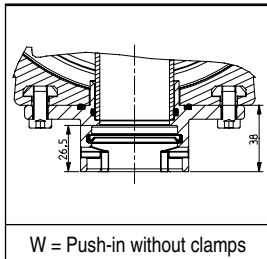
F = Solenoid operators EF NEMA 7+9 ICS-6 ANSI

For more technical information see catalogue page "OPERATORS"

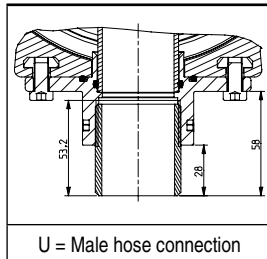
OUTLET CONNECTION TYPES



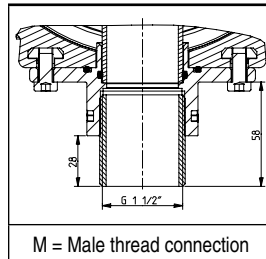
K = Push-in with clamps



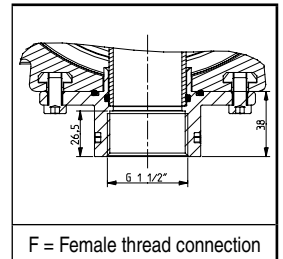
W = Push-in without clamps



U = Male hose connection



M = Male thread connection



F = Female thread connection

SPARE PARTS KITS

designation	spare parts kit no.
Double remote operated valve	C113826
Solenoid operated valve	C113827
Spare parts for valve sealings	M200336A00
Spare parts kit for pilot box mounting brackets	M200337A00

ORDERING INFORMATION

DIMENSIONS (mm), WEIGHT (kg), VOLUME (l)

Solenoid operated valve system

including spade plug connector ISO 4400, IP65, IEC 335

Fig. 1 (front view)

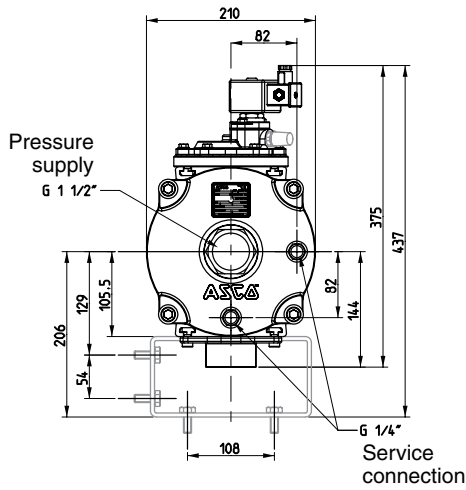
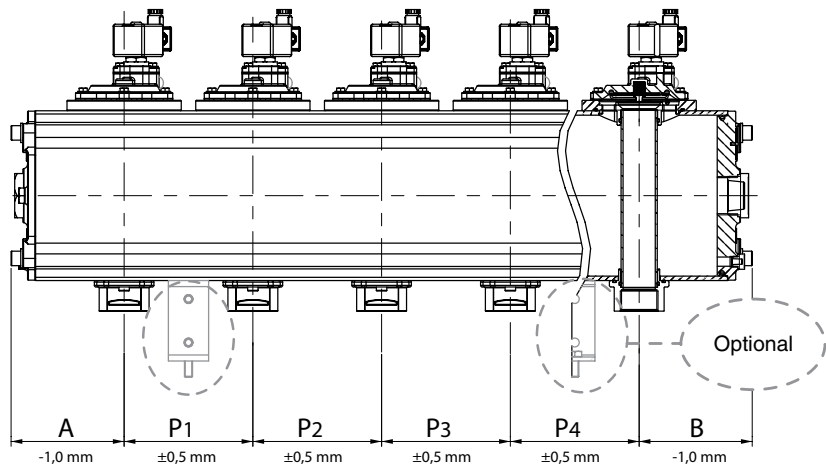


Fig. 2 (side view)



Example I: Dimension code for a 5 solenoid operated valve 24 DC tank system with push-in outlet:

Start distance	A = 125 mm
Standard pitch	P = 1+2+3+4 = 175 mm
End distance	B = 125 mm
Total dimension	950 mm
Weight	27 kg
Volume	26 l
Order number	G355B8W5S0015F1

For assistance please consult our website: www.asconumatics.eu

ORDERING INFORMATION

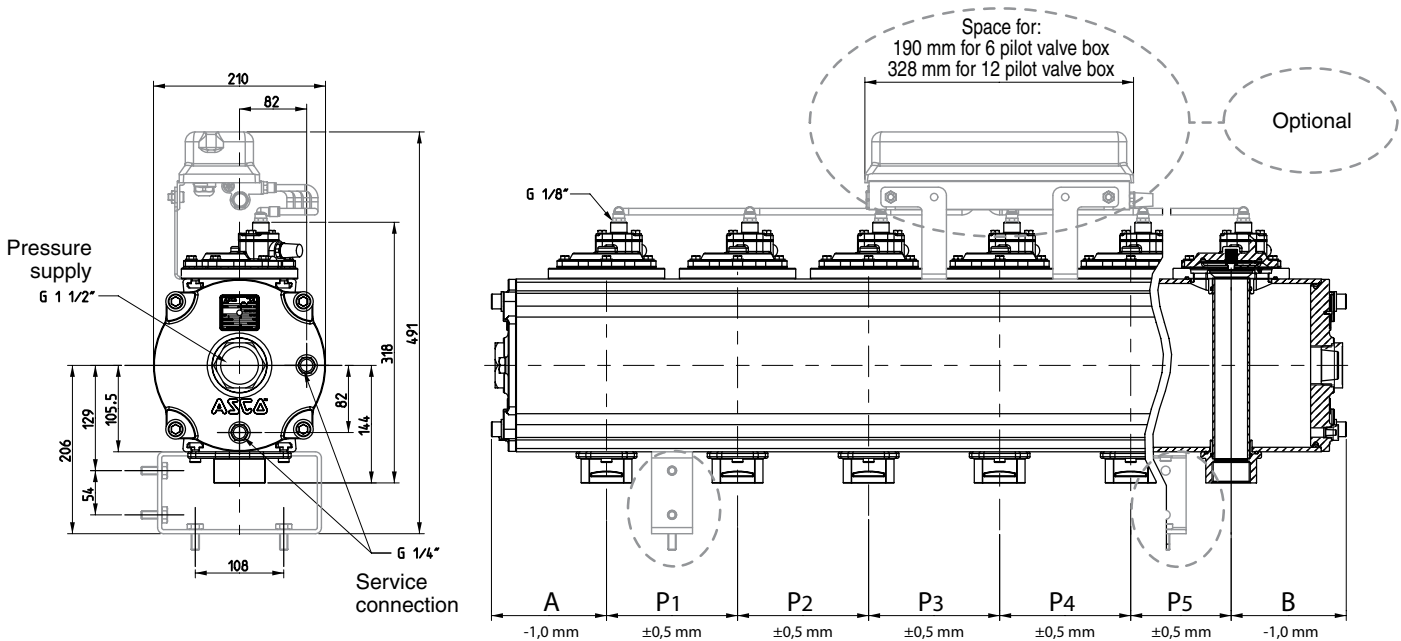
DIMENSIONS (mm), WEIGHT (kg), VOLUME (l) 

Remote double staged operated valve system prepared for pilot box

including pilot box mounting brackets, push-in fittings and tubes for G 1/8" pilot box series 110

Fig. 1 (front view)

Fig. 2 (side view)



Example II: Dimension code for a 6 double remote operated valve tank system prepared for pilot box with clamp outlet:

Start distance	A = 137 mm
Standard pitch	P = 1+2+4+5 = 190 mm
Deviating pitch	P = 3 = between valve 3 and 4 = 260 mm
End distance	B = 137 mm
Total dimension	1294 mm
Weight	34 kg
Volume	37 l
Order number	G355B8K62001600

For technical information on ASCO pilot boxes see catalogue series 110
 For assistance please consult our website: www.asconumatics.eu

OPTIONS

- Special customised executions
- Valve can be supplied with FPM (fluoroelastomer) and TPE (thermoplastic polyester elastomer) diaphragms.
- Waterproof enclosures with embedded screw terminal coil according to protection class IP67, CEE 10
- Explosionproof solenoids for hazardous locations according to "ATEX" and national standards
- Explosionproof and watertight solenoids according to "NEMA" standards
- Separate Quick Mount clamps for outlet connection; kit number: **C117-290**

INSTALLATION

- The tank system can be mounted in any position using the standard brackets (M8 bolts recommended) without affecting operation.
- Pipe connection identifier is: G = according to ISO 228/1 and ISO 7/1, or Ø for other outlet connections
- For Quick Mount types tightness is achieved by the O-ring sealing on the pipe (1 1/2" = Ø47,8 to 48,8) according to ISO 4200.
- When connecting piping or tubing to the G 1/8" or G 1/4" connection in the valve bonnet, the remote ASCO pilot valve should be mounted as close as possible to the main pulse valve. Connection tubing lengths of 3 meters or less have little effect on the pulse response. Installations with over 3 meters of tubing must be tested under actual operating conditions. Tubing with Ø6 or Ø8 mm O.D. is recommended for all installations.
- Installation/maintenance instructions and declaration of conformity are included with each tank system.
- Spare parts kits and coils are available.

FEATURES

- Immersion tank system using steel profile and welded end covers with CE approval according to Directive 87/404/EC
- Immersed valve system with special diaphragm design offers highest peak pressure and best flow performance operating features required for dust collector applications
- The high quality diaphragms are reinforced and wear resistant to guarantee a long operating life, even under harsh conditions
- Possibility to apply different combinations of pitch distances
- Service connections for different accessories such as: filter regulator, pressure gauge, safety valve and automatic/manual drain valve
- Available with hose and threaded blow pipe connections
- The integral operators are provided with epoxy moulded F-class coils

GENERAL

Differential pressure (PS) 0,35 to 8 bar [1 bar = 100kPa]
Ambient temperature range -10 to +80°C

fluid	temperature range (TS)	seal materials
air	-10 to +80°C	CR (chloroprene)

CONSTRUCTION

Tank	Steel, grey
Bonnet	Aluminium
Bolts	Stainless steel
Core tube	Stainless steel
Core and plugnut	Stainless steel
Spring	Stainless steel
Sealing & discs	NBR (nitrile)
Diaphragm	CR (chloroprene)
Shading coil	Copper
Coil insulation class	F
Connector	Spade plug (cable Ø 6-10mm)
Connector specification	ISO 4400
Electrical safety	IEC 335

ELECTRICAL CHARACTERISTICS

Standard voltages DC (=) : 24V - 48V;
 (Other voltages and 60 Hz on request) AC (~) : 24V - 48V - 115V - 230V / 50Hz

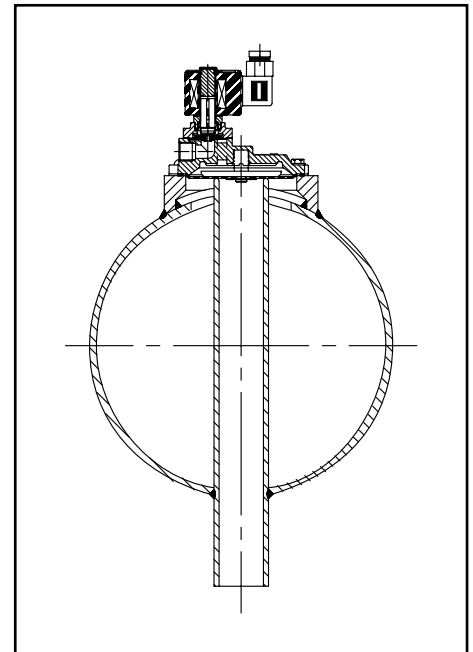
coil type	nominal power ratings				protection
	inrush	holding		hot/cold	
	~ (VA)	~ (VA)	= (W)	= (W)	
CMXX-FT	55	23	10,5	-	moulded IP65
CMXX-FT	-	-	-	14 / 19,7	

SPECIFICATIONS

pipe size	orifice size (mm)	flow coefficient Kv (m³/h) (l/min)		operating pressure differential (bar)		catalogue number	
				min	max. (PS)		
					air ~ / =	hose	threaded
8" Tank System							
1 1/2"	40	46	768	0,35	8	SCG357ANxx ^{(1) (2)}	SCG357AOxx ^{(1) (2)}

⁽¹⁾ Standard tank has round ends. For flat ends use suffix FE

⁽²⁾ xx indicates the number of valves

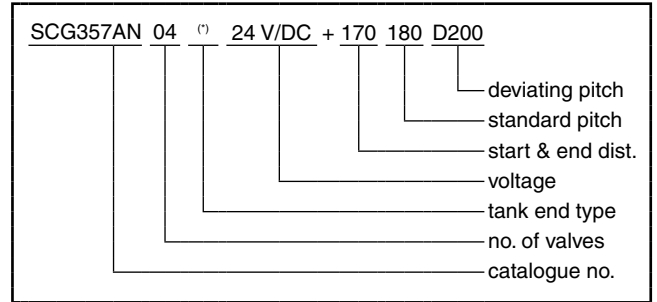


ORDERING

Example: Dimension code for a 4 valves tank system:

Tank diameter	8"
Operator	SC, 24V/DC
Pipe size	1 1/2"
Connection	Hose (see fig. 1: Connection Type)
Number of valves	4 pcs
Start and End distance	170 mm
Standard pitch	180 mm
Deviating pitch	Between valve no. 3 and no. 4 is position D (see fig. 1) 200 mm
Catalogue number	SCG357AN04 24V/DC
Dimension code	170180D200

ORDERING EXAMPLE TANK SYSTEM:



SPARE PARTS KITS

catalogue number	spare parts kit no.
SCG357ANxx	~/=
SCG357AOxx	C113827

DIMENSIONS (mm)

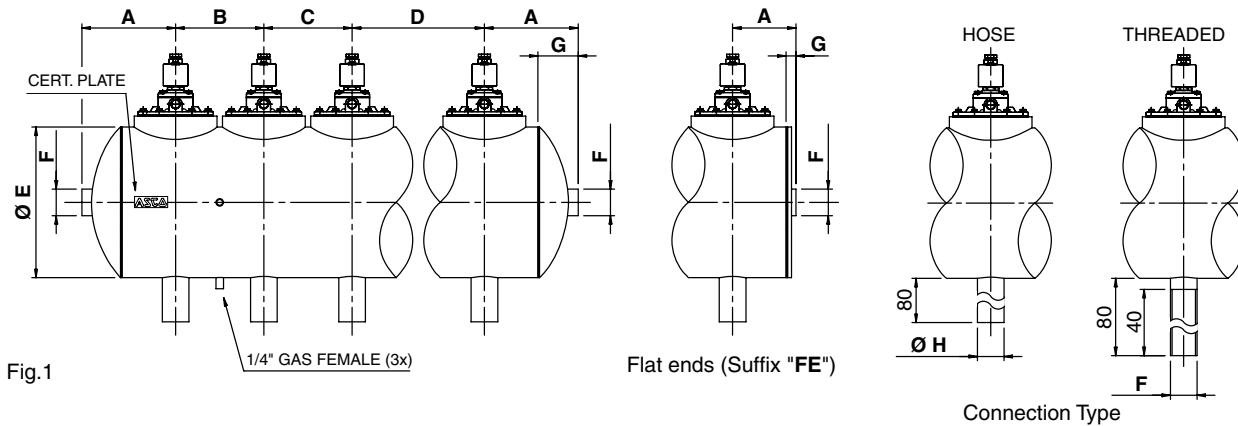


Fig.1

Flat ends (Suffix "FE")

Connection Type

tank diameter	fig.	A		B / C / D		A		Ø E	F	G		Ø H
		min. start distance (round)	(flat)	(round)	(flat)	(round)	(flat)					
8"	1	170	118	160	160	170	118	218,1	G 1 1/2"	70	18	48,3

(*) For standard tank (round ends) use no suffix, for flat ends use suffix FE

MOUNTING BRACKETS

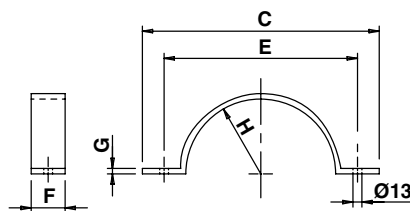


Fig.2 - Contra bracket

tank diameter	fig.	C	Ø E	F	G	H
8"	2	348	284	50	8	110

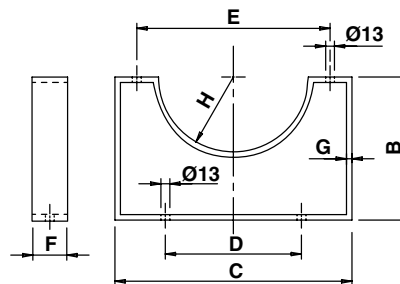


Fig.3 - Bracket

tank diameter	fig.	B	C	D	Ø E	F	G	H
8"	3	210	348	200	284	50	8	110

INSTALLATION

- Tank System can be mounted in any position. We can supply standard mounting brackets with each tank by specifying suffix MB behind the catalogue number (see figure 2 and 3)
- Installation / maintenance instructions and declaration of conformity are included with each tank system
- Spare part kits and coils are available