

SGR 14-200-040-A1-C-09-0.5-J5**Self-Contained Light Curtains**

Light Curtains

Compatible Transmitter:

SGT 14-200-040-A1-C-01-0.5-J5



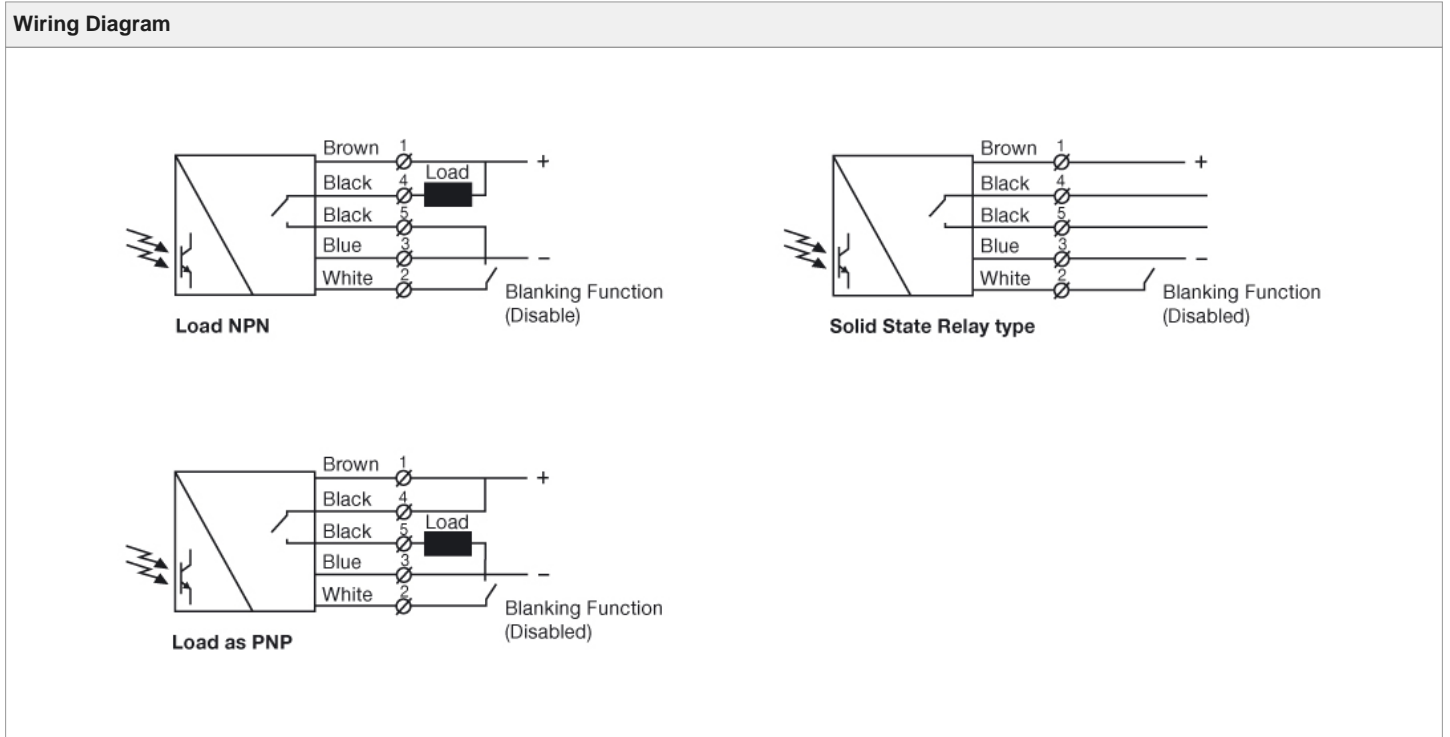
Product Data	
Function	Receiver
Operation Mode	Thru Beam
Supply Voltage	12 - 36 V dc
Connection	0.5 m cable with 5 pin, M12 plug
Sensing Range	10 m
Number of Channels	40
Output	Solid State Relay
Output Status	N.C.
Response	37 ms
Length	2000 mm
Active Height	1800 mm
Housing	12 x 30 mm
Features	Dynamic Sequential Blanking Function

Technical Data	
Supply Voltage	12 – 36 V dc
Reverse Polarity Protected	Yes
Short Circuit Protected	Yes
Current Consumption	50 mA
Output Rating	200 mA
Spacing between bottom & Ch1	25 mm
Channel Spacing	46 mm
Power On Indicator	Green LED
Output Indicator	Yellow LED
System Status Indicator	Red LED
Min. / Max. Sequential Blanking Speed	1,6 m/s / 0,05 m/s
Profile Dimensions (w x d)	Slim Line (C), 12 x 30 mm
Housing Material, Front Lens	Polycarbonate

Housing Material, Profile	Aluminium (black anodised)
Cable	5 x 0,20 mm ²
Cable Sleeve	PVC Ø 4,9 mm

Environmental Data	
Operation Temperature	-20 to +65 °C
Storage Temperature	-40 to +80 °C
Sealing Class	IP 67
Light Immunity 5*	> 100 000 lux

Approvals

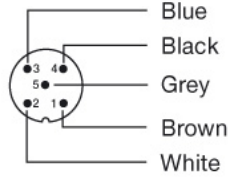
Connections

5 pin, M12

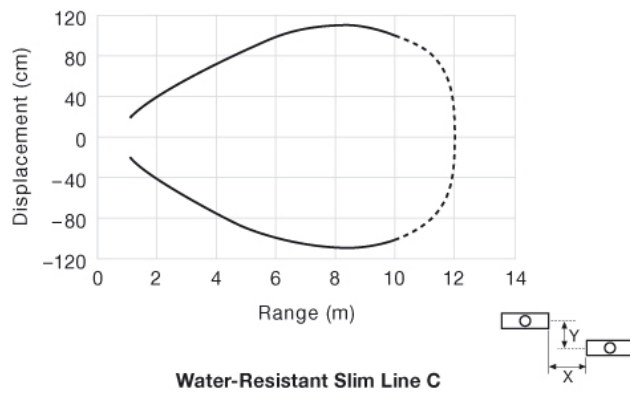
Sensor Plug
(Male)



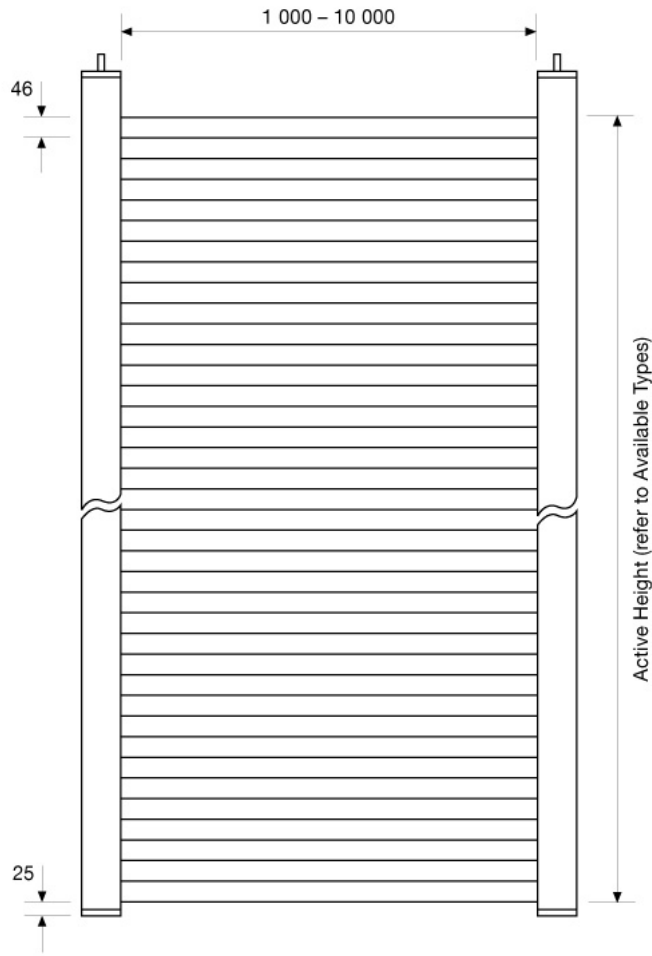
Cable Plug
(Female)



Parallel Displacement



Beam Patterns



46 mm channel spacing

