

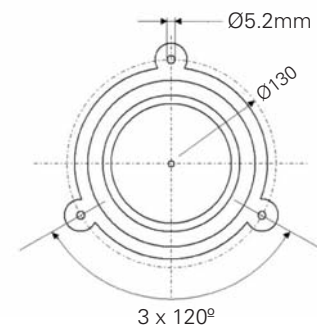
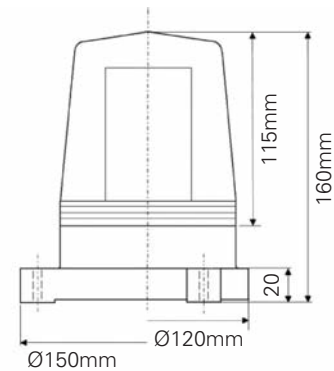
BLG LED Multifunction

The BLG LED is a versatile beacon with an integral anti-vibration mounting base and four flash patterns. The beacon is ideal for providing visual warnings in applications where vibration may occur, such as machines, vehicles and cranes.



Technical Specification

Voltage	24Vdc 230Vac
Current	600mA @ 24Vdc 70mA @ 230Vac
Flash rate	Rotate, Flash, Blink, Steady
Flash colour	Red, amber, green, blue
Temperature	-40°C to +50°C
Protection	IP67
Construction	Lens - polycarbonate base - TPF rubber
Weight	0.45Kg
Colours	Base - black



Features

- LED beacon with 4 operational modes
- Anti-vibration base
- IP67 protection
- 5 lens colours

Benefits

- Provides a distinct signal for all types of event
- Base protects the beacon from vibration, extending operational life and reducing maintenance
- Protected against extreme weather conditions
- Signal colour to suit all events

Reference

BLG/L/CL/12-24/VAC/DC
BLG/L/RL/12-24/VAC/DC
BLG/L/AL/12-24/VAC/DC
BLG/L/CL/230VAC
BLG/L/RL/230VAC
BLG/L/AL/230VAC

Catalogue No.

22151301
22151302
22151303
22150701
22150702
22150703

Description

LED-Signal Light BLG LED, 12/24Vac/dc, Clear, Anti-Vibration
LED-Signal Light BLG LED, 12/24Vac/dc, Red, Anti-Vibration
LED-Signal Light BLG LED, 12/24Vac/dc, Amber, Anti-Vibration
LED-Signal Light BLG LED, 230Vac, Clear, Anti-Vibration
LED-Signal Light BLG LED, 230Vac, Red, Anti-Vibration
LED-Signal Light BLG LED, 230Vac, Amber, Anti-Vibration