

## SUPPRESSOR FOR CONTACTORS

VDR, 24 VAC/DC, 50 VA/W

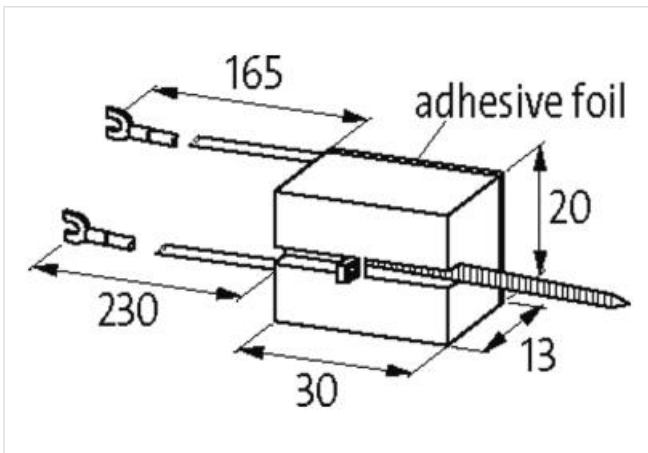
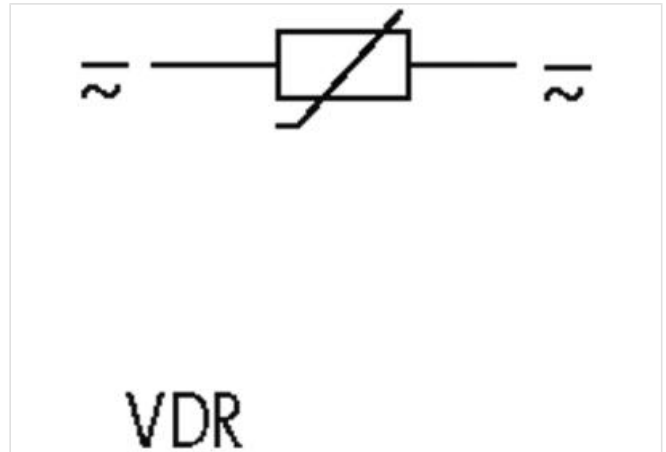
24 V DC

VDR

For other configurations and voltages, please inquire.

### [Link to Product](#)

#### Illustration



Product may differ from Image



#### Commercial data

ECLASS-6.0	27371013
ECLASS-6.1	27371013
ECLASS-7.0	27371013
ECLASS-8.0	27371013
ECLASS-9.0	27371013
ECLASS-10.1	27371013

ECLASS-11.1	27371013
ECLASS-12.0	27371013
ETIM-5.0	EC002498
customs tariff number	85363010
GTIN	4048879018166
Packaging unit	1

**Compatibility | Compatible with**

Appropriate contactors universal

**Electrical data**

Damping factor 1.5x UN  
Holding power max. 50 W

**Electrical data | Input**

Input voltage AC min. 0 V  
Input voltage AC max. 30 V  
Input voltage DC min. 0 V  
Input voltage DC max. 30 V

**Installation | Connection**

Connection information self-securing cable forks

**Device protection | Media**

Flame resistance flame retardant

**Mechanical data | Material data**

Combustibility class housing (UL94) V-0  
Material housing Plastic

**Mechanical data | Mounting data**

Height 30 mm  
Width 20 mm  
Depth 13 mm

**Environmental characteristics | Climatic**

Operating temperature min. -20 °C  
Operating temperature max. 70 °C