

CUBE67+ BUS NODE

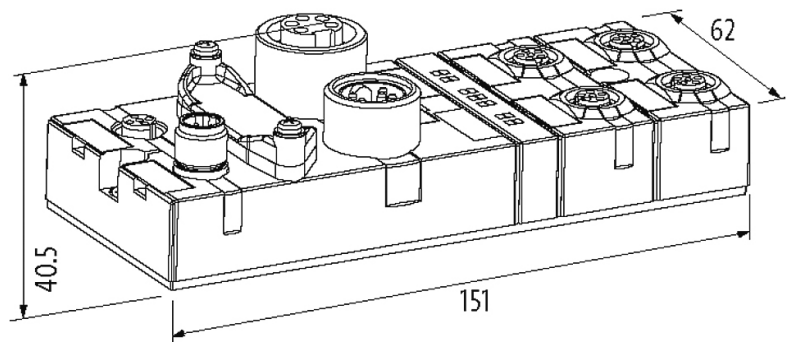
Ethernet/IP

Cube67+
EtherNet/IP
adjustable via Machine Options Management (MOM)
Variables for input/output data
I/O-Mapping
I/O-Check

Connection cables are in the online shop under "Connection Technology". Housing fully potted. Cube67+ modules can only be operated on Cube67+, EtherNet/IP, PROFIBUS + PROFINET bus nodes.

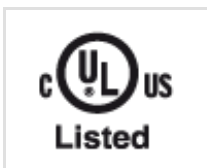
[Link to Product](#)

Illustration



Product may differ from Image

Approvals



More Info

The information in this brochure has been compiled with the utmost care.
Liability for the correctness completeness and topicality of the information is restricted to gross negligence. Version: 11/18

Murrelektronik Ltd. | 5 Albion Street, Pendlebury Industrial Estate, Swinton | Manchester M27 4FG | Fon +44 161 728 3133 | Fax +44 161 728 3130 | shop@murrelektronik.co.uk | shop.murrelektronik.co.uk

EtherNet/IP

Connections

Fieldbus	Ethernet 10/100Mbit/s; M12, D-coded
Sensor-system/actuator supply	7/8", 5-pole, 2 × max. 8 A
Internal system connection	4 × M12 (female) A-coded, 6-pole, 2 × max. 4 A

Module supply

Operating voltage	24 V DC (EN 61131-2)
Current consumption	max. 200 mA

General data

Protection	IP67
Mounting method	2-hole screw mounting
Temperature range	0...+55 °C (storage temperature -20...+75 °C)
Dimensions H × W × D	151×62×40.5 mm

EtherNet/IP

Addressing	DHCP, BOOTP or IP address by rotary switch
------------	--

Cube system

Module capacity	max. 32
I/O capacity	max. 504 Byte (Input), max. 500 Byte (Output)
Machine Option Management	yes
No. of masterports (IO-Link)	max. 128

Diagnostic

Communication status	via LED and BUS
Diagnostic via LED	per module and channel
Diagnostic via BUS	per module and channel
Monitoring - under voltage	yes
Monitoring - no voltage	yes
Short-circuit and overload	yes

Commercial data

country of origin	DE
customs tariff number	85389099
EAN	4048879635219
eClass	27242608
Packaging unit	1