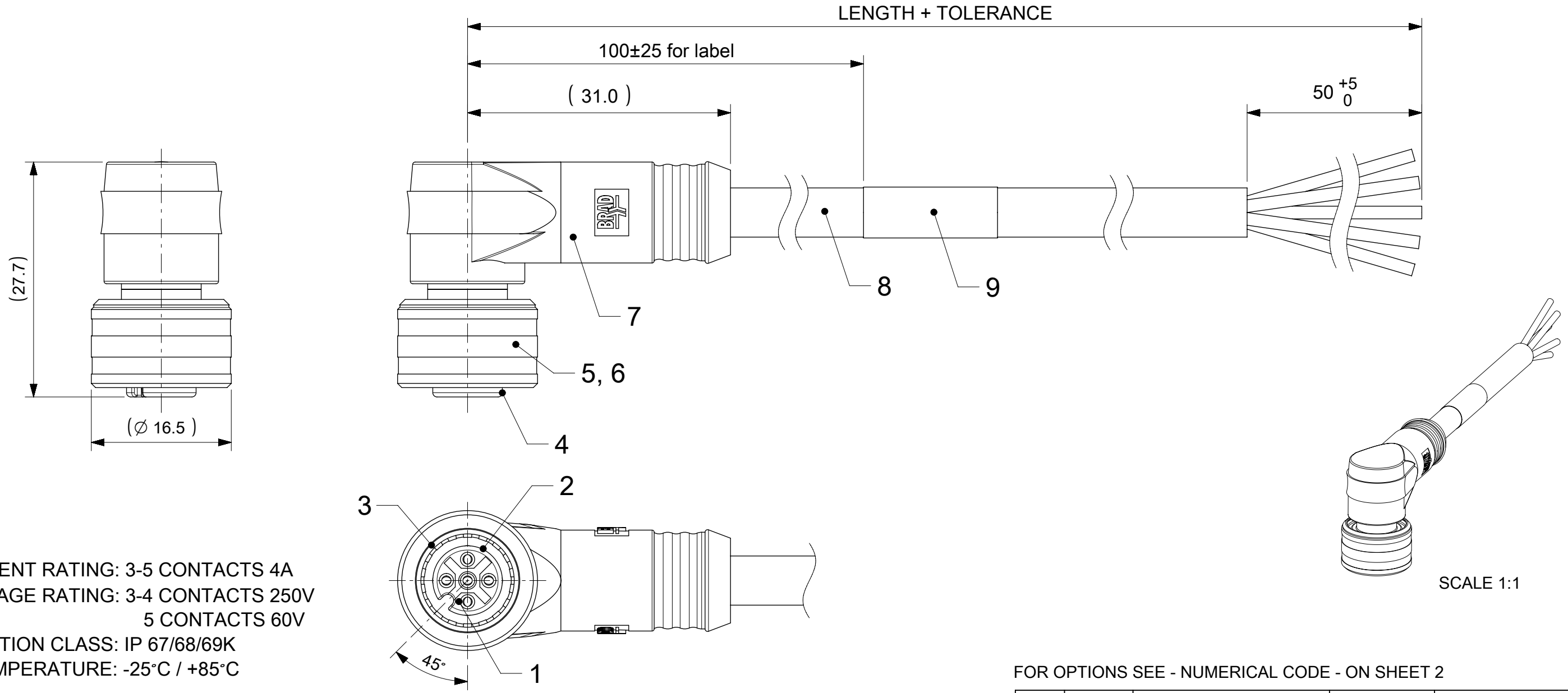


FEMALE PLUG ULTRA LOCK U12 90° ANGLED



NOTES:
 CURRENT RATING: 3-5 CONTACTS 4A
 VOLTAGE RATING: 3-4 CONTACTS 250V
 5 CONTACTS 60V
 PROTECTION CLASS: IP 67/68/69K
 TEMPERATURE: -25°C / +85°C

CONTACTS POSITION FRONT VIEW:

3 CONTACTS		4 CONTACTS		5 CONTACTS	
PIN	WIRE	PIN	WIRE	PIN	WIRE
1	BROWN	1	BROWN	1	BROWN
2	---	2	WHITE	2	WHITE
3	BLUE	3	BLUE	3	BLUE
4	BLACK	4	BLACK	4	BLACK
5	---	5	---	5	GREY
CODING ACCORDING TO IEC 61076-2-101					

FOR OPTIONS SEE - NUMERICAL CODE - ON SHEET 2

ITEM	QTY.	DESCRIPTION	MATERIAL	FINISH
9	1	LABEL YELLOW	VINYL	---
8	-	CABLE	SEE SHEET 2	---
7	-	OVERMOULD BLACK	TPU	---
6	1	SLEEVE U12 INNER	BRASS	NICKEL
5	1	SLEEVE U12 OUTER	BRASS	NICKEL
4	1	INSERT FEMALE BLACK	PUR	---
3	1	SPRING U12	V4A	---
2	1	ORING GREEN	FPM	---
1	3 / 4 / 5	CONTACT M12 FEMALE	BRONZE	SELECTIVE GOLD OVER NICKEL

SYMBOLS	DIMENSION UNITS	SCALE	CURRENT REV DESC:	
▽ = 0	mm	2:1	EC NO: 601308	
▽ = 0	GENERAL TOLERANCES (UNLESS SPECIFIED)		DRWN: SSM 2018/07/10	
▽ = 0	ANGULAR TOL ± 1.0°		CHK'D: SSM 2018/07/11	
▽ = 0	4 PLACES ±		APPR: RSILLER 2018/07/12	
▽ = 0	3 PLACES ±		INITIAL REVISION:	
▽ = 0	2 PLACES ± 0.05		DRWN: JMARSZALEK 2016/06/22	
▽ = 0	1 PLACE ± 0.3		APPR: RSILLER 2016/06/29	
▽ = 0	0 PLACES ± 0.5		THIRD ANGLE PROJECTION	
■ = 0	DRAFT WHERE APPLICABLE MUST REMAIN WITHIN DIMENSIONS		DRAWING	
▽ = 0			SERIES	
			MATERIAL NUMBER	
			CUSTOMER	
			SHEET NUMBER	

molex

CSE U12 XP AC FE RA XM SE UNSH

PRODUCT CUSTOMER DRAWING

DOCUMENT NUMBER: 1200790281
 DOC TYPE: PSD
 DOC PART: 000
 REVISION: A3

MATERIAL NUMBER: 120079
 CUSTOMER: GENERAL MARKET
 SHEET NUMBER: 1 OF 2

ENGINEERING NO. - NUMERICAL CODE (Available parts see PART LIST table. Other parts available upon request).

OPTIONS

W 0 X 0 0 1 X X X X X X X X

W0=U12
Ultra Lock
Single ended

Poles:
3=3 Poles
4=4 Poles
5=5 Poles

Heads style:
001=Plug Female Angled

Cable type: See Table

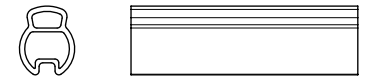
Units:
M=Meter

Length
Examples:
005=0.5 units
010=1 units
100=10 units

Overmold color:
Blank (Standard)=Black
A=Grey / G=Black / Y=Yellow

Ultra Lock Assembly:
Blank (Standard)=Brass, Ni Plated
8=Stainless steel, EPDM oring

H= 2 pcs. of I/D Carrier PVC Transparent
(Cables lxx & P82 always with
2 pcs. of I/D Carrier)



CABLE INFORMATION (for more information see Cable Data Sheet).

CABLE TYPE	NO. OF WIRES	CROSS SECTION	CABLE JACKET	UL	CSA	STATIC: TEMP. / BENDING RADIUS	DYNAMIC: TEMP. / BENDING RADIUS	DRAG CHAIN	SHIELD
E03	3 / 4 / 5	0.34mm ²	PVC BLACK	UL 2464/1729	C22.2 I/II A/B 80°/300V	-30°C to +80°C, 10xO.D.	-10°C to +80°C, 15xO.D.	-	-
H09	3 / 4 / 5	0.34mm ²	PUR BLACK LS0H	UL 21198/10493	C22.2 I/II A/B 80°/300V	-40°C to +80°C, 5xO.D.	-25°C to +80°C, 10xO.D.	2 000 000 cycles, Temp max 60°C	-
P03	3 / 4 / 5	0.34mm ²	PUR / PVC BLACK	-	-	-30°C to +80°C, 7xO.D.	-5°C to +80°C, 15xO.D.	-	-

PART LIST

No.	Molex P/N	Engineering no.	Cable Length	No.	Molex P/N	Engineering no.	Cable Length
1	1200200003	W04001E03M005	0.5m	21	1200798048	W05001H09M020	2m
2	1200790269	W04001E03M020	2m	22	1200798051	W04001H09M020	2m
3	1200790272	W04001E03M100	10m	23	1200798055	W04001E03M012	1.2m
4	1200790281	W05001E03M020	2m	24	1200798100	W05001H09M350	35m
5	1200790282	W05001E03M040	4m	25	1200798122	W05001H09M030	3m
6	1200795042	W04001E03M050	5m	26	1200798143	W03001E03M020	2m
7	1200795044	W05001E03M050	5m	27	1200798144	W03001E03M050	5m
8	1200795071	W04001P03M040	4m	28	1200798145	W03001E03M100	10m
9	1200795072	W04001P03M100	10m	29	1200798159	W05001H09M050	5m
10	1200795073	W04001P03M060	6m	30			
11	1200795088	W05001P03M020	2m	31			
12	1200795089	W05001P03M040	4m	32			
13	1200795090	W05001P03M050	5m	33			
14	1200795091	W05001P03M060	6m	34			
15	1200795092	W05001P03M100	10m	35			
16	1200798002	W04001E03M003	0.3m	36			
17	1200798007	W04001P03M050	5m	37			
18	1200798013	W04001P03M020	2m	38			
19	1200798040	W04001E03M010	1m	39			
20	1200798047	W03001H09M020	2m	40			

CABLE LENGTH TOLERANCES

OVER	UP TO AND INCLUDING	TOLERANCES
0	305mm	+19mm
305mm	915mm	+45mm
915mm	1830mm	+56mm
1830mm	3660mm	+89mm
3660mm	7320mm	+165mm
7320mm	14640mm	+317mm
14640mm	30500mm	+610mm
30500mm	>	+2% of finished length

SYMBOLS	THIS DRAWING CONTAINS INFORMATION THAT IS PROPRIETARY TO MOLEX ELECTRONIC TECHNOLOGIES, LLC AND SHOULD NOT BE USED WITHOUT WRITTEN PERMISSION	CURRENT REV DESC:		molex
	mm	1:1	EC NO: 601308	
	GENERAL TOLERANCES (UNLESS SPECIFIED)		DRWN: SSM 2018/07/10	
	ANGULAR TOL ± 1.0°		CHK'D: SSM 2018/07/11	
▽ = 0	4 PLACES ±	APPR: RSILLER 2018/07/12	PRODUCT CUSTOMER DRAWING	
▽ = 0	3 PLACES ±	INITIAL REVISION:	DOCUMENT NUMBER	
▽ = 0	2 PLACES ± 0.05	DRWN: JMARSZALEK 2016/06/22	1200790281	
▽ = 0	1 PLACE ± 0.3	APPR: RSILLER 2016/06/29	DOC TYPE	
▽ = 0	0 PLACES ± 0.5	THIRD ANGLE PROJECTION	PSD	
□ = 0	DRAFT WHERE APPLICABLE MUST REMAIN WITHIN DIMENSIONS	DRAWING	000	
▽ = 0		SERIES	A3	
		MATERIAL NUMBER	REVISION	
		CUSTOMER		
		SHEET NUMBER		