

PAB 30 A 209

Photoelectric Amplifier Bus

Remote Photoelectric Systems



Product Data	
Function	Amplifier
Supply Voltage	10 – 30 V dc / 24 V ac
Sensing Range	47 m
Number of Channels	3
Output	3 individual PNP
Timer	On/Off Delay
Sensitivity Adjustment	Manual
Housing	Removable screw terminals

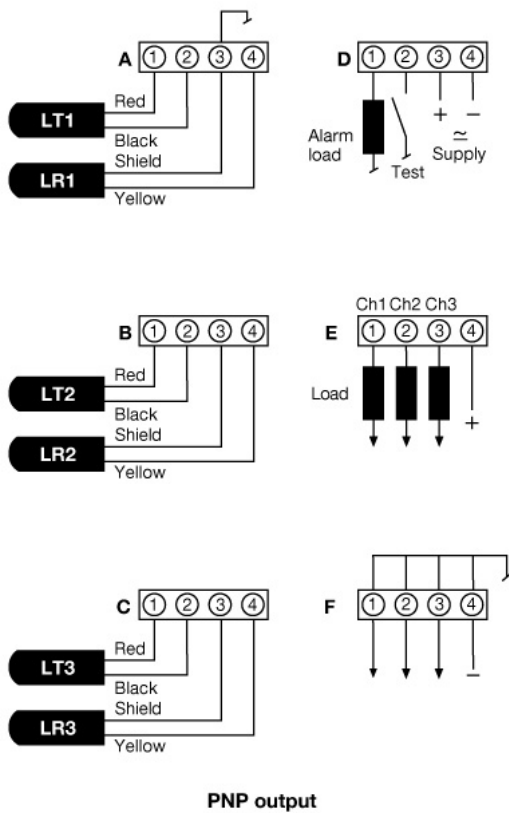
Technical Data	
Supply Voltage	10 - 30 V dc or 24 V ac
Voltage Tolerance	+/- 10 %
Current Consumption	Max. 2,6 W
Response Time ton / toff, Transistor	Short range: 24 ms / 24 ms Long range: 60 ms / 60 ms
Output, Transistor	30 V dc / 100 mA
Alarm Output, Transistor	PNP - 30 V dc / 100 mA
Test Input	Yes
Power On Indicator	Green LED
Output Indicator	Yellow LED
Alarm Indicator	Red / yellow LED
LR Sensor Failure Indicator	Yellow LED
LT Sensor Failure Indicator	Red LED
Master/Slave Address Indicator	Green / orange LED
Signal Level Indicator	Green LED
Sensor Monitor LED Drive	Green LED on the receiver: 'Power ON' Yellow LED on the transmitter: PAB output activated
Hysteresis	Approx. 35 %
Operation Frequency, Transistor	Short range: 21 Hz Long range: 8 Hz
Delay Time ton / toff	0 – 10 sec, adjustable

Housing Material	Polyamide
------------------	-----------

Environmental Data	
Operation Temperature	- 10 to +50 °C
Storage Temperature	- 40 to +80 °C
Sealing Class	IP 40

Approvals


Wiring Diagram



Dimensions

