



Page 11-4

SWITCH DISCONNECTORS 16A TO 125A (AC21A)

- Switch disconnectors with direct operating handle and door coupling version
- Switch disconnectors with front door mount
- Switch disconnectors in IEC IP65 / UL Type 4X enclosure.



Page 11-14

SWITCH DISCONNECTORS 50A TO 1600A (AC21A)

- Three and four-pole switch disconnectors
- Three and four-pole switch disconnectors with NFC, NH and BS type fuse holders
- Three and four-pole changeover switches; add-on motorised control unit available.



Page 11-22

FOR PHOTOVOLTAIC APPLICATIONS UP TO 850A 1000VDC (DC21B)

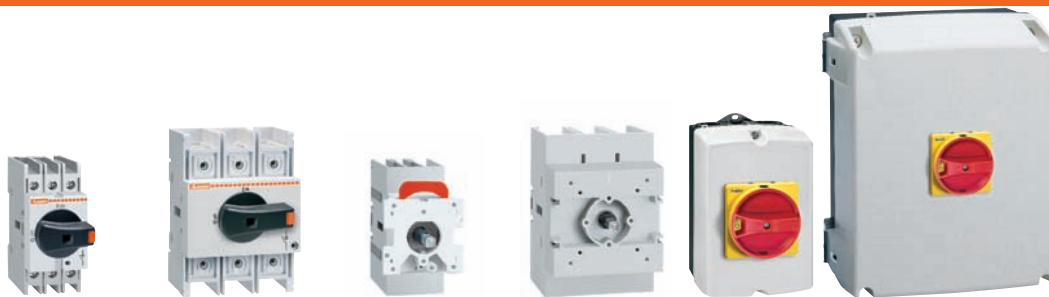
- Switch disconnectors, three and four poles
- Direct operating and door coupling versions
- Serial connection of 2, 3, 4, 6 and 8 poles.



- 16A to 1600A ratings
- Versions: direct operating handle, door coupling and in housing
- Wide range of accessories
- Types for photovoltaic applications up to 1250A.

	SEC. - PAGE
GA series 16A to 125A	
Three-pole switch disconnectors	11 - 4
Fourth pole add on.....	11 - 5
Add-on blocks and accessories	11 - 7
Switch disconnectors in enclosure	11 - 12
Empty non-metallic enclosures	11 - 12
GE series 50A to 1600A	
Three-pole switch disconnectors	11 - 14
Three-pole switch disconnectors with fuse holder	11 - 14
Four-pole switch disconnectors	11 - 15
Four-pole switch disconnectors with fuse holder	11 - 15
Three-pole changeover switches	11 - 17
Four-pole changeover switches	11 - 17
Add-on blocks and accessories	11 - 18
For photovoltaic applications	11 - 22
Dimensions	11 - 24
Wiring diagrams	11 - 42
Technical characteristics	11 - 44

GA series 16A to 125A



IEC AC21A	DIRECT OPERATING HANDLE AND DOOR COUPLING VERSION								DOOR MOUNT VERSION								VERSION IN HOUSING								
	36mm width				70mm width				36mm width				70mm width				100mm width				220mm width				
	16A	25A	32A	40A	63A	63A	80A	100A	125A	16A	25A	32A	40A	63A	80A	100A	125A	16A	25A	32A	40A	63A	80A	100A	125A
Three pole	●	●	●	●	●	●	●	●	●	●	●	●	●	●	●	●	●	●	●	●	●	●	●	●	●
4th pole - simultaneous closing		●			●	●	●	●	●		●			●	●	●	●	●	●	●			●	●	●
4th pole - early-make closing		●			●		●				●				●				●				●		●
Three-pole for photovoltaic applications				●			●		●																
Fuse holder	●																								
Handle recessed selector, screw fixing		●					●				●					●				●				●	
protruding selector, screw fixing		●					●				●					●									
protruding selector, ring fixing		●					●				●														
protruding selector with release, defeatable, ring fixing		●					●																		
protruding selector low-profile, ring fixing		●					●																		
pistol grip with release, defeatable, screw fixing							●																		
Mechanical 6-8 pole coupling system		●					●																		
Mechanical interlock for line switching		●					●																		

GE series 50A to 1600A



IEC AC21A	DIRECT OPERATING AND DOOR COUPLING VERSION												
	50A	125A	160A	200A	250A	315A	400A	500A	630A	800A	1000A	1250A	1600A
Three and four pole			●	●	●	●	●	●	●	●	●	●	●
Three and four pole with NFC fuse holder	●	●											
Three and four pole with NH fuse holder			●		●		●		●	●			
Three and four pole with BS fuse holder			●	●	●	●	●		●	●			
Four-pole for photovoltaic applications		●	●		●	●			●	●		●	

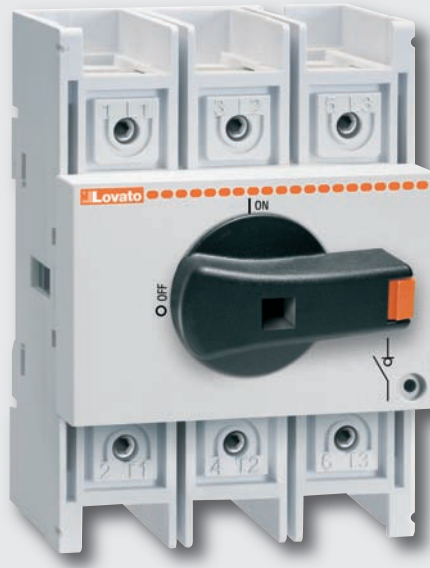
Changeover switches 160A to 1600A



IEC AC21A	DIRECT OPERATING AND DOOR COUPLING VERSION										
	160A	200A	250A	315A	400A	500A	630A	800A	1000A	1250A	1600A
Three and four pole	●	●	●	●	●	●	●	●	●	●	●
Motorised control unit			●				●			●	

VERSATILITY!

- COMPACT SIZE**
 The three-pole 16A to 63A switch disconnectors, are made up of a single unit body, merely 36mm/1.4in wide, while the 63A to 125A ratings, of another body size of only 70mm/2.8in wide.
- ACCESSORY FLEXIBILITY**
 Mounting and removal of the fourth pole and add-on blocks are simple and quick operations with no need of tools.



- VERSION FOR PHOTOVOLTAIC APPLICATIONS**

The GA...D type switch disconnectors are suitable for both small domestic installations as well as those with a large number of solar cells. Use up to 1000V in DC21B category.

- CERTIFICATIONS**

All GA series switch disconnectors are certified by GOST, KEMA and UL Listed for Canada and USA. The 16A to 63A types are certified according to UL508/CSA 22.2 n° 14 while the 63A to 125A types to UL98/CSA 22.2 n° 4 standards.



- SIDE MOUNT ADD-ON FOURTH POLE**

Simultaneous or early-make contact operation of the fourth pole with respect to the switch disconnector poles.



- ADD-ON AUXILIARY CONTACTS**
 One only add-on block suitable for all the 8 ratings of switch disconnectors, having simultaneous operation with the switch poles. There are versions with an early-break NO contact.

- MAXIMUM COMBINATIONS**
 Mounting up to 4 auxiliary contacts or 1 fourth pole and 3 auxiliary contacts (2 blocks always on the right and 2 on the left side) of each switch disconnector. The earth and neutral terminals and fuse holder also can be added.



- 6 AND 8 POLE VERSION**

A mechanical coupling system is available for the 16A to 125A switch disconnectors with direct operating handle to provide 6/8 pole disconnectors along with a mechanical interlock mechanism for the line changeover function (I - O - II).

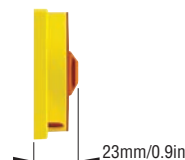


- FUSE HOLDERS**



A three-pole fuse holder can be added to 16A to 32A switch disconnectors, with direct operating handle, to provide a single compact unit. Access to the fuse can be made only when the disconnector is in OFF position. UL Listed type up to 25A class CC fuses.

- REDUCED HANDLE THICKNESS**
 GAX61 and GAX 61 B handles are only 23mm/0.9in thick.



- IP65 PADLOCKABLE HANDLES**

Wide range of selector or pistol grip handles, with screw or ring fixing. All handles are equipped with built-in padlockable mechanism. The selector handle GAX63... is snapped on to the door-mount switch disconnectors in 16A to 40A ratings, with no need of tools.



- HANDLE ADAPABILITY**

The extensive number of fixing holes in the front handle plate can replace switch disconnectors, normally found out in the field, without having to drill other holes.



- DEFEATABLE UL508A HANDLE VERSION**

In compliance with UL508A standards, which require internal panel inspection by authorised personnel with power applied, selector and lever handles are available with defeatable feature of the door coupling when the switch disconnector is closed, i.e. in ON position.



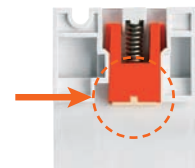
- SWITCH STATUS INDICATION**

The switch open or closed state is clearly and unequivocally seen at a distance thanks to the simple and modern design of the handle.

- DIN RAIL FIXING**

The fixing on and removal of the switch disconnector from the 35mm (IEC/EN 60715) DIN rail are done, by only pressing downwards, without tools.

- PAD INSERT FOR NO DIN RAIL SLIDING**



A rubber pad insert prevents the sliding of switch disconnectors on the DIN rail even when out of tolerance or mounted vertically.

- TERMINAL ADAPTABILITY**

Terminals are suitable to accept any type of cable: flexible, rigid, AWG wire. The terminals can withstand high tightening torques.

- HIGH IEC CAPABILITY IN AC23**

The rated currents Ie in AC23 at 690VAC are the highest of the category.

- MODULARITY**

The switch disconnectors can be mounted in modular panels.

Three-pole switch disconnectors



GA016 A...
GA040 A
GA063 SA



GA063 A...
GA125 A



GA016 C...
GA040 C



GA063 C...
GA125 C

Order code	IEC conventional free air thermal current Ith AC21A (≤690V)	IEC rated operational current Ie AC22A (≤690V) AC23A (≤415V)	Qty per pkg	Wt [kg]
	[A]	[A]	n°	[kg]

Direct operating version, complete with black handle.
For door-coupling version, separately order the handle and shaft extension; refer to pages 11-9 and 11-10.

GA016 A	16	16	1	0.146
GA025 A	25	25	1	0.146
GA032 A	32	32	1	0.146
GA040 A	40	40	1	0.146
GA063 SA	63	45	1	0.148
GA063 A	63	63	1	0.388
GA080 A	80	80	1	0.388
GA100 A	100	100	1	0.388
GA125 A	125	125	1	0.388

Door-mount version, complete with shaft; separately order the handle, refer to pages 11-10.

GA016 C	16	16	1	0.170
GA025 C	25	25	1	0.170
GA032 C	32	32	1	0.170
GA040 C	40	40	1	0.170
GA063 C	63	63	1	0.404
GA080 C	80	80	1	0.404
GA100 C	100	100	1	0.404
GA125 C	125	125	1	0.404

Strokes of GA switch poles

	Travel 0→1	0°	30°	60°	90°
GA016 A...GA040 A - GA063SA				60°	
GA016 C...GA040 C				60°	
GA063 A...GA125 A				55°	
GA063 C...GA125 C				55°	

OFF ON

Type	1 phase [HP]		3 phase [HP]				General use at 600VAC [A]	Short-circuit rating at 600VAC [kA]	Fuse class - max rating at 600V
	120V	240V	200-208V	240V	480V	600V			
GA016...	1	2	5	5	10	10	16	5	RK5 - 20A
GA025...	1½	3	7½	7½	15	20	25	5	RK5 - 30A
GA032...	2	5	10	10	20	20	32	5	RK5 - 35A
GA040...	2	5	10	15	20	25	40	5	RK5 - 45A
GA063 SA	2	7½	10	15	30	30	60	5	RK5 - 45A

NOTE: Above GA...A, GA...C and GA...D (on page 11-22) types, according to UL508 and CSA 22.2 n°14. UL Listed, for USA and Canada (File E93602), as Manual Motor Controllers while UL designation is "GENERAL PURPOSE SWITCH. INTERRUPTEUR USAGE GENERAL" and "SUITABLE AS MOTOR DISCONNECT".

Type	1 phase [HP]		3 phase [HP]				General use at 600VAC [A]	Short-circuit rating at 600VAC [kA]	Max fuse rating at 600V [A]
	120V	240V	200-208V [Ⓜ]	240V	480V	600V			
GA063... [Ⓜ]	3	7½	20	20	40	40	60	10	100
GA080...	3	10	25	25	40	40	100	10	100
GA100...	5	10	30	30	50	50	100	10	100
GA125...	7½	10	30	30	60	60	100	10	100

NOTE: Above ratings are valid for GA...A, GA...C and GA...D (on page 11-22) types, according to UL98 and CSA 22.2 n°4. UL Listed, for USA and Canada (File E328470), as Open Type Switches - Open type unfused switch while UL designation is "GENERAL PURPOSE SWITCH. INTERRUPTEUR USAGE GENERAL".

[Ⓜ] Lower ratings in this same UL/CSA category are available on specific request for volume orders.

For information, consult Customer Service; see contact details on inside front cover.

[Ⓜ] Voltage value not considered in UL98 / CSA 22.2 n°4 standards so not indicated in UL product marking.

General characteristics

- 16A to 125A ratings
- Available versions:
 - direct operating
 - door mount
 - door coupling version. Use switch disconnector with direct operating handle and separately order the handle and shaft extension for this version. See pages 11-9 and 11-10
- Compact and modular size
- Screw or 35mm DIN (IEC/EN 60715) rail fixing
- Padlockable in 0 position with no extra accessory.

Operational characteristics

- IEC rated insulation voltage Ui: 1000V
- IEC rated impulse withstand Uimp: 8kV
- Electrical life in IEC AC21A:
 - 100,000 cycles for GA016-GA040
 - 15,000 cycles for GA063 SA
 - 30,000 cycles for GA063-GA125
- Mechanical life:
 - 100,000 cycles for GA016-GA040-GA063 SA
 - 30,000 cycles for GA063-GA125.

Certifications and compliance

Certifications obtained:

Type	GOST	KEMA	cULus per UL508 / CSA C22.2 n°14 UL Listed (File E93602)	cULus per UL98 / CSA C22.2 n°4 UL Listed (File E328470)
GA016 A...GA040 A	●	●	●	—
GA063 SA	●	—	●	—
GA016 C...GA040 C	●	●	●	—
GA063 A...GA125 A	●	●	—	●
GA063 C...GA125 C	●	▲	—	●

● Certification obtained; ▲ certification pending.

Compliant with standards: IEC/EN 60947-1, IEC/EN 60947-3, UL508, UL98, CSA C22.2.

Fourth pole add on



GAX42...A
GAX41...A
GAX42 063SA
GAX41 063SA



GAX42 040C
GAX41 040C

Order code	IEC conventional free air thermal current Ith AC21A [ⓐ] (≤690V)	IEC rated operational current Ie [ⓑ] AC22A (≤690V) AC23A (≤415V)	Qty per pkg	Wt
	[A]	[A]	n°	[kg]

Simultaneous closing operation as switch poles.
For GA...A version.

Order code	Ith	Ie	Qty	Wt
GAX42 040A[ⓐ]	40	40	1	0.045
GAX42 063SA[ⓐ]	63	45	1	0.045
GAX42 063A	63	63	1	0.126
GAX42 080A	80	80	1	0.126
GAX42 100A	100	100	1	0.126
GAX42 125A	125	125	1	0.126

For GA...C version.

Order code	Ith	Ie	Qty	Wt
GAX42 040C[ⓑ]	40	40	1	0.045
GAX42 063C	63	63	1	0.128
GAX42 080C	80	80	1	0.128
GAX42 100C	100	100	1	0.128
GAX42 125C	125	125	1	0.128

Early-make closing operation with respect to switch poles.
For GA...A version.

Order code	Ith	Ie	Qty	Wt
GAX41 040A[ⓐ]	40	40	1	0.046
GAX41 063SA[ⓐ]	63	45	1	0.046
GAX41 125A[ⓐ]	125	125	1	0.116

For GA...C version.

Order code	Ith	Ie	Qty	Wt
GAX41 040C[ⓑ]	40	40	1	0.046
GAX41 125C[ⓑ]	125	125	1	0.128

- ⓐ For GA016 A-GA040 A only.
- ⓑ For GA063 SA only.
- ⓒ For GA016 C-GA040 C only.
- ⓓ For GA063 A-GA125 A only.
- ⓔ For GA063 C-GA125 C only.
- ⓕ See page 11-4 for UL/CSA ratings which are the same as the corresponding switch types.

Strokes of GA poles (switch and add-on pole)

	Travel 0 → 1	0°	30°	60°	90°
GA016A/C...GA040A/C - GA063SA Main poles				60°	
GAX42040A/C - GAX42063SA Simultaneous fourth-pole add on				60°	
GAX41040A/C-GAX41063SA Early-make fourth-pole add on				55°	
GA063A/C...GA125A/C Main poles				55°	
GAX42063A/C...GAX42125A/C Simultaneous fourth-pole add on				55°	
GAX41125A/C Early-make fourth-pole add on				48°	
		OFF			ON

General characteristics

- 16A to 125A ratings
- Available version for:
 - direct operating
 - door mount
 - simultaneous closing with switch poles
 - early-make closing respect with switch poles
- Compact and modular size.

Operational characteristics

- IEC rated insulation voltage Ui: 1000V
- IEC rated impulse withstand Uimp: 8kV
- Electrical life in IEC AC21A:
 - 100,000 cycles for GAX42 040A/C and GAX41 040A/C
 - 15,000 cycles for GAX42 063SA and GAX41 063SA
 - 30,000 cycles for GAX42 063A/C and GAX41 125A/C
- Mechanical life:
 - 100,000 cycles for GAX42 040A/C and GAX41 040A/C, GAX42 063SA and GAX41 063SA
 - 30,000 cycles for GAX42 063A/C - GAX42 125A/C and GAX41 125A/C.

Certifications and compliance

Certifications obtained:

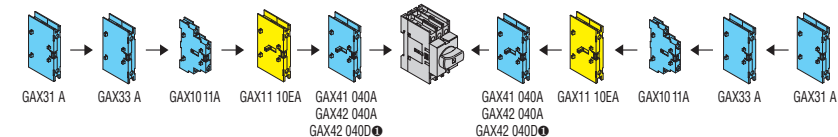
Type	GOST	cULus per UL508 / CSA C22.2 n°14 UL Listed (File E93602)	cULus per UL98 / CSA C22.2 n°4 UL Listed (File E328470)
GAX41 040A-GAX42 040A	●	●	—
GAX41 063SA-GAX42 063SA	●	●	—
GAX41 040C-GAX42 040C	●	●	—
GAX41 125A-GAX42 125C	●	—	●
GAX42 063A...GAX42 125A	●	—	●
GAX42 063C...GAX42 125C	●	—	●

● Certification obtained.

Compliant with standards: IEC/EN 60947-1, IEC/EN 60947-3, UL508, UL98, CSA C22.2.

Maximum combination

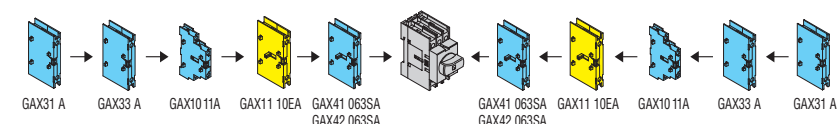
GA016 A...GA040 A Sequence and maximum combination of add-on blocks on direct operating switch disconnectors
GA040 D



1	1	1	—	1	GA016 A GA025 A GA032 A GA040 A	—	—	2	1	1
1	1	2	—	—		1	—	1	1	1
1	1	1	—	1		—	1	1	1	1
1	1	1	1	—		—	—	2	1	1
1	1	2	—	—		—	—	1	1	1
1	1	2	—	—		—	—	2	1	1
1	1	—	—	—		—	1	—	1	1
1	1	—	—	1		—	—	—	1	1
1	1	—	—	—		—	—	—	1	1
1	1	—	—	—		—	—	—	1	1

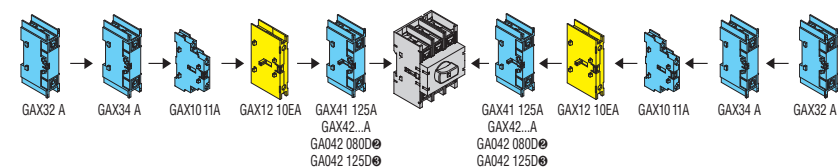
① GAX42 040D can be used only with GA040 D switch.

GA063 SA



1	1	1	—	1	GA063 SA	—	—	2	1	1
1	1	2	—	—		1	—	1	1	1
1	1	1	—	1		—	—	1	1	1
1	1	1	1	—		—	—	2	1	1
1	1	2	—	—		—	—	1	1	1
1	1	2	—	—		—	—	2	1	1
1	1	—	—	—		—	1	—	—	1
1	1	—	—	1		—	—	—	1	1
1	1	—	—	—		—	—	—	1	1
1	1	—	—	—		—	—	—	1	1

GA063 A...GA125 A
GA080 D, GA125 D

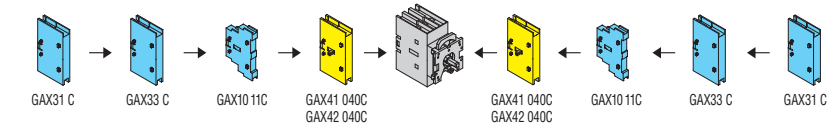


—	—	1	—	1	GA063 A GA080 A GA100 A GA125 A	—	—	2	—	—
—	—	2	—	—		1	—	1	—	—
—	—	1	—	1		—	—	1	—	—
—	—	1	1	—		—	—	2	—	—
—	—	2	—	—		—	—	1	1	—
—	—	2	—	—		—	—	2	—	—
1	1	—	—	—		—	1	—	—	1
1	1	—	—	1		—	—	—	1	1
1	1	—	—	—		—	—	—	1	1
1	1	—	—	—		—	—	—	1	1

② GAX42 080D can be used only with GA080 D switch.

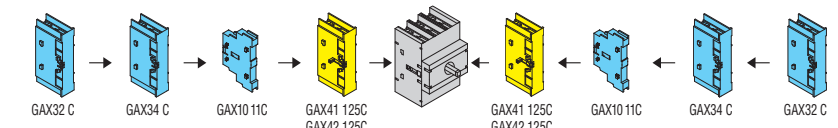
③ GAX42 125D can be used only with GA125 D switch.

GA016 C...GA040 C Sequence and maximum combination of add-on blocks on door mount switch disconnectors



1	1	1	1	GA016 C GA025 C GA032 C GA040 C	—	1	1	1
1	1	1	—		1	1	1	1
1	1	1	—		—	—	1	1
1	1	1	—		—	—	1	1
1	1	—	—		—	—	1	1

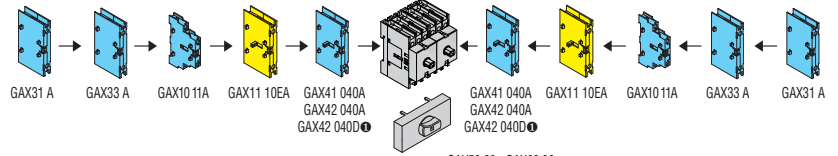
GA063 C...GA125 C



—	—	1	—	1	GA063 C GA080 C GA100 C GA125 C	—	1	—	—
—	—	1	—	—		1	1	—	—
1	1	—	—	1		—	—	1	—
—	—	1	—	—		—	—	1	1
1	1	—	—	—		—	—	1	—

**GA016 A...GA040 A
GA040 D
+ GAX50 00 -
GAX60 00**

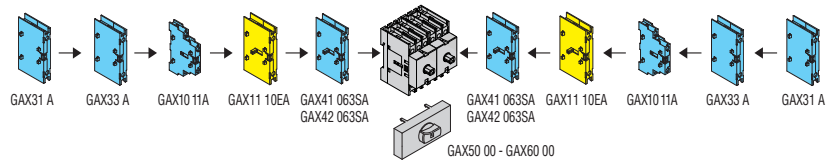
Sequence and maximum combination for mechanical coupling and mechanical interlock for line changeover



1	1	1	—	1	GA016 A + GA016 A GA025 A + GA025 A GA032 A + GA032 A GA040 A + GA040 A GA040 D + GA040 D ①	1	—	1	1	1
1	1	1	—	1		—	—	2	1	1
1	1	2	—	—		1	—	1	1	1
1	1	1	—	1		—	1	1	1	1
1	1	1	1	—		1	—	1	1	1
1	1	1	1	—		—	—	2	1	1
1	1	2	—	—		—	1	1	1	1
1	1	2	—	—		—	—	2	1	1
1	1	—	—	1		1	—	—	1	1
1	1	—	—	—	—	—	—	1	1	

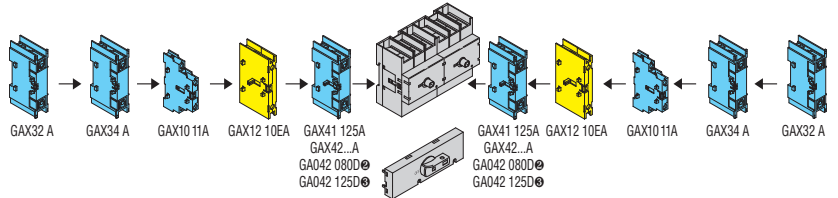
① GAX42 040D can be used only with GA040 D switch.

**GA063 SA
+ GAX50 00 -
GAX60 00**



1	1	1	—	1	GA063SA + GA063SA	1	—	1	1	1
1	1	1	—	1		—	—	2	1	1
1	1	2	—	—		1	—	1	1	1
1	1	1	—	1		—	1	1	1	1
1	1	1	1	—		1	—	1	1	1
1	1	1	1	—		—	—	2	1	1
1	1	2	—	—		—	1	1	1	1
1	1	2	—	—		—	—	2	1	1
1	1	—	—	1		1	—	—	1	1
1	1	—	—	—	—	—	—	1	1	

**GA063 A...GA125 A
GA080 D, GA125 D
+ GAX50 01 -
GAX60 01**



—	—	1	—	1	GA063 A + GA063 A GA080 A + GA080 A GA100 A + GA100 A GA125 A + GA125 A GA080 D + GA080 D ② GA125 D + GA125 D ③	1	—	1	—	—
—	—	1	—	1		—	—	2	—	—
—	—	2	—	—		1	—	1	—	—
—	—	1	—	1		—	1	1	—	—
—	—	1	1	—		—	—	2	—	—
—	—	2	—	—		—	1	1	—	—
—	—	2	—	—		—	—	2	—	—
1	1	—	—	1		1	—	—	1	1
1	1	—	—	—		—	—	—	1	1

② GAX42 080D can be used only with GA080 D switch.

③ GAX42 125D can be used only with GA125 D switch.

Add-on blocks and accessories



GAX10 11A GAX10 11C



GAX11 10EA GAX12 10EA



GAX3...A GAX3...C



GAX50... GAX60...

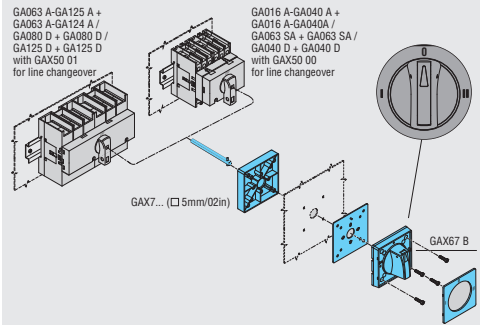
Order code	Characteristics	Qty per pkg	Wt
		n°	[kg]
Auxiliary contacts, simultaneous operation as switch poles.			
GAX10 11A	1NO+1NC for GA...A, GA063 SA and GA...D	1	0.030
GAX10 11C	1NO+1NC for GA...C	1	0.030
Auxiliary contacts, early-break operation with respect to switch poles.			
GAX11 10EA	1EB (NO) for GA016 A-GA040 A, GA063 SA and GA040 D	1	0.035
GAX12 10EA	1EB (NO) for GA063 A-GA125 A, GA080 D and GA125 D	1	0.035
Neutral terminal.			
GAX31 A	For GA016 A-GA040 A, GA063 SA and GA040D	1	0.040
GAX32 A	For GA063 A-GA125 A and GA080 D - GA125 D	1	0.110
GAX31 C	For GA016 C-GA040 C	1	0.040
GAX32 C	For GA063 C-GA125 C	1	0.110
Earth/Ground terminal.			
GAX33 A	For GA016 A-GA040 A, GA063 SA and GA...D	1	0.040
GAX34 A	For GA063 A-GA125 A and GA080 D - GA125 D	1	0.110
GAX33 C	For GA016 C-GA040 C	1	0.040
GAX34 C	For GA063 C-GA125 C	1	0.110
Mechanical interlock for line changeover (I-0-II).			
GAX50 00	For GA016 A-GA040 A, GA063 SA, GA...D and GAX67 B; □ 5mm/0.2in ①	1	0.050
GAX50 01	For GA063 A-GA125 A, GA080 D GA125 D and GAX67 B; □ 5mm/0.2in ①	1	0.075
Mechanical coupling system for 6-8 pole switch disconnectors.			
GAX60 00	For GA016 A-GA040 A, GA063 SA and GA...D; □ 5mm/0.2in ①	1	0.050
GAX60 01	For GA063 A-GA125 A, GA080 D, GA125 D; □ 7mm/0.3in ②	1	0.075

- ① Use GAX7... shaft extensions.
- ② Use GAX66.. handles and GAX7...A extensions for a door-coupling version.

General characteristics of auxiliary contacts

- IEC conventional free air thermal current Ith: 10A
- UL/CSA and IEC/EN 60947-5-1 designation: A600-Q600.

Transformation of direct operating version into door coupling type



Certifications and compliance

Certifications obtained:

Type	GOST	cULus per UL508 / CSA C22.2 n°14 UL Listed (File E93602)	cULus per UL98 / CSA C22.2 n°4 UL Listed (File E328470)
GAX10 11A - GAX10 11C	●	●	—
GAX11 10EA	●	●	—
GAX12 10EA	●	—	▲
GAX31 A - GAX31 C	●	●	—
GAX32 A - GAX32 C	●	—	●
GAX33 A - GAX33 C	●	●	—
GAX34 A - GAX34 C	●	—	●
GAX50 00 - GAX60 00	●	●	—
GAX50 01 - GAX60 01	●	—	●
GAX61-GAX61 B	●	●	●
GAX62-GAX62 B	●	●	●
GAX63-GAX63 B	●	●	●
GAX63 1B	●	—	—
GAX63 2-GAX63 2B	●	●	▲
GAX64-GAX64 B	●	●	●
GAX66-GAX66 B	●	—	▲
GAX67 B	●	●	▲
GAX60 B	●	—	▲

● Certification obtained; ▲ certification pending.

Compliant with standards: IEC/EN 60947-1, IEC/EN 60947-3, IEC/EN 60947-5-1, UL508, UL98, CSA C22.2.

Strokes of GA poles (switch with auxiliary contact blocks)

	Travel 0→1	0°	30°	60°	90°
GA016A/C...GA040A/C - GA063SA	Main poles			60°	
GAX10 11A - GAX10 11C	Auxiliary contacts (1NO+1NC)	NO		60°	
		NC			
GAX11 10EA	Auxiliary contact (1EB - NO early break)	Travel 0→1	40°	60°	
		Travel 1→0			70°
GA063A/C...GA125A/C	Main poles			55°	
GAX10 11A - GAX10 11C	Auxiliary contacts (1NO+1NC)	NO		45°	
		NC			
GAX12 10EA	Auxiliary contact (1EB - NO early break)	Travel 0→1	25°	55°	
		Travel 1→0			65°

OFF ON

Strokes of GA...D types (switch and add-on blocks)

	Travel 0→1	0°	30°	60°	90°
GA040 D	Main poles			60°	
GA042 040D	Simultaneous fourth-pole add on			60°	
GAX10 11A	Auxiliary contacts (1NO+1NC)	NO		60°	
		NC			
GAX11 10EA	Auxiliary contact (1EB - NO early break)	Travel 0→1	40°	60°	
		Travel 1→0			70°
GA080 D - GA125 D	Main poles			55°	
GAX42 080D - GAX42 125D	Simultaneous fourth-pole add on			55°	
GAX10 11A - GAX10 11C	Auxiliary contacts (1NO+1NC)	NO		45°	
		NC			
GAX12 10EA	Auxiliary contact (1EB - NO early break)	Travel 0→1	25°	55°	
		Travel 1→0			65°

OFF ON

Rotary handles



GAX61



GAX62



GAX66



GAX63 B



GAX63 2B
Low profile



GAX67 B

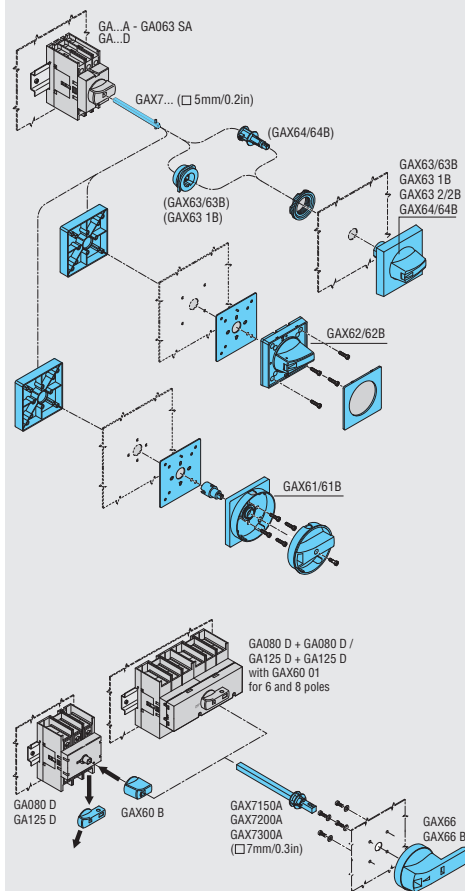
new

new

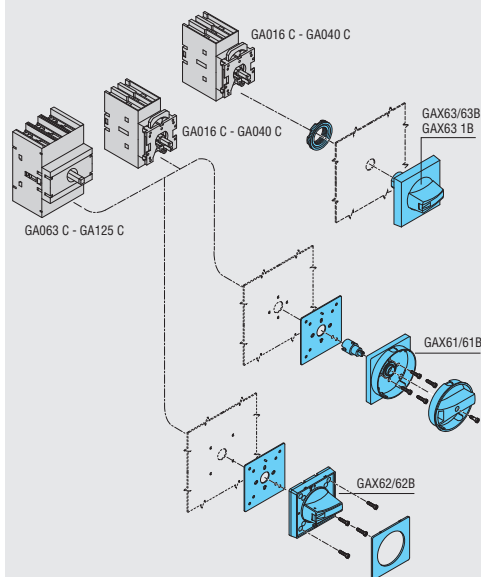
Order code	Characteristics	Qty per pkg	Wt
		n°	[kg]
DOOR COUPLING HANDLES, PADLOCKABLE. Red/yellow, rotating.			
GAX61	For GA...A, GA063 SA, GA...C and GA...D. Screw fixing. Recessed selector. □ 5mm/0.2in ①. IEC IP65/UL Type 4X	1	0.073
GAX62	For GA...A, GA063 SA, GA...C and GA...D. Screw fixing. Protruding selector. □ 5mm/0.2in ①. IEC IP65/UL Type 4X	1	0.072
GAX63	For GA...A, GA063 SA, GA016 C - GA040 C and GA...D. Ring fixing. Protruding selector. □ 5mm/0.2in ①②. IEC IP65/UL Type 4X	1	0.068
GAX63 2	For GA...A, GA063 SA, and GA...D. Low-profile ring fixing. Protruding selector. □ 5mm/0.2in ①. IEC IP65/UL Type 4X	1	0.057
GAX64	For GA...A, GA063 SA, and GA...D. Ring fixing. Protruding selector with release, defeatable per UL508A; □ 5mm/0.2in ①. IEC IP65/UL Type 4X	1	0.064
GAX66	For GA063 A-GA125 A, GA080 D, GA125 D and GAX60 01. Screw fixing. Pistol grip with release, defeatable per UL508A; □ 7mm/0.3in ③. IEC IP66	1	0.140
Black, rotating.			
GAX61 B	For GA...A, GA063 SA, GA...C and GA...D. Screw fixing. Recessed selector. □ 5mm/0.2in ①. IEC IP65/UL Type 4X	1	0.073
GAX62 B	For GA...A, GA063 SA, GA...C and GA...D. Screw fixing. Protruding selector. □ 5mm/0.2in ①. IEC IP65/UL Type 4X	1	0.072
GAX63 B	For GA...A, GA063 SA, GA016 C - GA040 C and GA...D. Ring fixing. Protruding selector. □ 5mm/0.2in ①②. IEC IP65/UL Type 4X	1	0.068
GAX63 1B	For GA...A, GA063 SA, GA016 C-GA040 C and GA...D. Ring fixing. Protruding selector, padlockable at ON (per UNI 9490 and UNI EN 12845 - firefighting systems); □ 5mm/0.2in ①②. IEC IP65/UL Type 4X	1	0.074
GAX63 2B	For GA...A, GA063 SA and GA...D. Low-profile ring fixing. Protruding selector. □ 5mm/0.2in ①. IEC IP65/UL Type 4X	1	0.057
GAX64 B	For GA...A, GA063 SA and GA...D. Ring fixing. Protruding selector with release, defeatable per UL508A. □ 5mm/0.2in ①. IEC IP65/UL Type 4X	1	0.064
GAX66 B	For GA063 A-GA125 A and GA080 D-GA125 D and GAX60 01. Screw fixing. Pistol grip with release, defeatable per UL508A; □ 7mm/0.3in ③. IEC IP66	1	0.140
GAX67 B	For GAX50... mechanical interlock mechanism (I-O-II). □ 5mm/0.2in ①. IEC IP65/UL Type 4X	1	0.078
ACCESSORIES FOR DOOR COUPLING CONTROL. For GAX66 and GAX66 B handles.			
GAX60 B	Adapter □ 7mm/0.3in for GA063 A-GA125 A, GA080 D and GA125 D	1	0.010

- ① For GA...A and GA...D switch disconnectors, separately order GAX7... shaft extensions.
- ② Snap-on fixing of GA016-GA040C switch disconnectors with the handle.
- ③ Separately order GAX7...A shaft extension and GAX60 B handle having a 7mm/0.3in square section, except for use with GAX60 01.

Transformation of direct operating version into door coupling type



Door-mount version



Certifications and compliance

See the table on page 11-8 for details.

Switch disconnectors

GA series 16A to 125A

Accessories

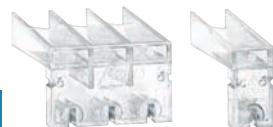
Shaft extensions Terminal covers Fuse holders/blocks



GAX7...



GAX7... A



GAX8...



GAX39 1

Order code	Characteristics	Qty per pkg	Wt
		n°	[kg]

Shaft extension for door-coupling handles GAX61-GAX64, GAX61 B-GAX64 B, GAX67 B and mechanical interlock type GAX50 00, GAX50 01 and coupling system GAX60 00.

GAX7 055	55mm long; □ 5mm/0.2in	1	0.012
GAX7 070	70mm long; □ 5mm/0.2in	1	0.014
GAX7 090	90mm long; □ 5mm/0.2in	1	0.018
GAX7 150	150mm long; □ 5mm/0.2in	1	0.032
GAX7 200	200mm long; □ 5mm/0.2in	1	0.040
GAX7 300	300mm long; □ 5mm/0.2in	1	0.068
GAX7 400	400mm long; □ 5mm/0.2in	1	0.072
GAX7 500	500mm long; □ 5mm/0.2in	1	0.090

Shaft extension for door-coupling handles GAX66, GAX66 B and mechanical coupling system GAX60 01.

GAX7 150A	150mm long; □ 7mm/0.3in	1	0.090
GAX7 200A	200mm long; □ 7mm/0.3in	1	0.112
GAX7 300A	300mm long; □ 7mm/0.3in	1	0.160

Set of 2 one-pole terminal covers for fourth pole.

GAX81	For GAX42 040A, GAX42 040C, GAX42 040D, GAX41 040A, GAX41 040C, GAX41 063SA, GAX42 063SA	1	0.009
GAX82	For GAX42 063A-GAX42 125A, GAX42 063C-GAX42 125C, GAX42 080D, GAX42 125D, GAX41 125A, GAX41 125C	1	0.012

Set of 2 three-pole terminal covers.

GAX83	For GA016 A-GA040 A, GA063 SA, GA016 C-GA040 C, GA040 D	1	0.018
GAX84	For GA063 A-GA125 A, GA063 C-GA125 C, GA080 D, GA125 D	1	0.030

Fuse holder/block for switch disconnectors.

GAX39 1	For GA016 A-GA032 A Suitable for 10.3x38 fuse size	1	0.132
GAX39 1UL	For GA016 A-GA025 A Suitable for Class CC fuses	1	0.135

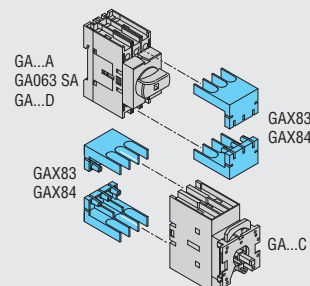
new

Operational characteristics of fuse holder

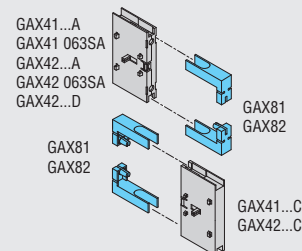
- IEC rated insulation voltage U_i : 1000V
- ICE rated impulse withstand voltage U_{imp} : 8kV
- The fuse holder/block connects directly to the switch disconnectors.
- Access to fuses only when the switch disconnectors are in OFF position.

Terminal covers

For switch disconnectors



For fourth pole



Certifications and compliance

Certifications obtained:

Type	GOST	cULus per UL508 / CSA C22.2 n°14 UL Listed (File E93602)	cULus per UL98 / CSA C22.2 n°4 UL Listed (File E328470)
GAX7 055...GAX7 500	●	●	●
GAX7 150A ... GAX7 300A	●	—	●
GAX81-GAX83	●	●	—
GAX82-GAX84	●	—	●
GAX39 1	●	—	—
GAX39 1UL	—	●	—

● Certification obtained.

Compliant with standards: IEC/EN 60947-1, IEC/EN 60947-3, UL508, UL98, CSA C22.2.

Three-pole switch disconnectors in enclosure



GAZ016...-GAZ040...



GAZ063...-GAZ125...

Order code	IEC conventional free air thermal current I _{th} AC21A (≤690V)	Qty per pkg	Wt
	[A]	n°	[kg]

THREE POLE. With rotating red/yellow handle.

GAZ016	16	1	0.450
GAZ025	25	1	0.450
GAZ032	32	1	0.450
GAZ040	40	1	0.450
GAZ063	63	1	2.220
GAZ080	80	1	2.220
GAZ100	100	1	2.220
GAZ125	125	1	2.220

With rotating black handle.

GAZ016 B	16	1	0.450
GAZ025 B	25	1	0.450
GAZ032 B	32	1	0.450
GAZ040 B	40	1	0.450
GAZ063 B	63	1	2.220
GAZ080 B	80	1	2.220
GAZ100 B	100	1	2.220
GAZ125 B	125	1	2.220

FOUR POLE. With rotating red/yellow handle.

GAZ016 T4	16	1	0.550
GAZ032 T4	32	1	0.550
GAZ063 T4	63	1	2.500
GAZ125 T4	125	1	2.500

With rotating black handle.

GAZ016 T4B	16	1	0.550
GAZ032 T4B	32	1	0.550
GAZ063 T4B	63	1	2.500
GAZ125 T4B	125	1	2.500

Components Enclosure	Switch disconnector	Fourth pole (if any)	Handle
GAZ1	GA016 A		GAX61
GAZ1	GA025 A		GAX61
GAZ1	GA032 A		GAX61
GAZ1	GA040 A		GAX61
GAZ3	GA063 A		GAX61
GAZ3	GA080 A		GAX61
GAZ3	GA100 A		GAX61
GAZ3	GA125 A		GAX61

GAZ1 B	GA016 A		GAX61 B
GAZ1 B	GA025 A		GAX61 B
GAZ1 B	GA032 A		GAX61 B
GAZ1 B	GA040 A		GAX61 B
GAZ3 B	GA063 A		GAX61 B
GAZ3 B	GA080 A		GAX61 B
GAZ3 B	GA100 A		GAX61 B
GAZ3 B	GA125 A		GAX61 B

GAZ1	GA016 A	GAX42040A	GAX61
GAZ1	GA032 A	GAX42040A	GAX61
GAZ3	GA063 A	GAX42063A	GAX61
GAZ3	GA125 A	GAX42125A	GAX61

GAZ1	GA016 A	GAX42040A	GAX61 B
GAZ1	GA032 A	GAX42040A	GAX61 B
GAZ3	GA063 A	GAX42063A	GAX61 B
GAZ3	GA125 A	GAX42125A	GAX61 B

General characteristics

- Polymeric housing material
- Three-pole versions can become four pole by adding the fourth pole GAX4...A
- One auxiliary contact block can be fitted on the right and left sides of the disconnector, unless the fourth pole already is fitted on GAZ...T4 types
- Padlockable handle
- Sealable cover
- IEC IP65 degree of protection
- Entries
 - GAZ016-GAZ040: PG16/M25 and PG13.5/M20 knockouts
 - GAZ063-GAZ125: smooth surface to be drilled by the user.

Certifications and compliance

Certifications obtained: GOST; cULus (see below).
Compliant with standards: IEC7EN 60947-1, IEC/EN 60947-3; as Manual Motor Controllers - Enclosed.

Special GAZ... versions

In addition to the standard-supplied types, versions UL Listed, for USA and Canada (File E93602), are available (cULus pending for GAZ063... - GAZ125... types); UL Type 4, 4X ratings.

Add suffix **UL** at the end of the order code; e.g. GAZ032 B **UL**.

Switch disconnectors

GA series 16A to 125A

Empty enclosures

Empty non-metallic enclosures



GAZ1...



GAZ3...

Order code	Description	Qty	Wt
		per pkg	
		n°	[kg]

For switch disconnectors.
With rotating red/yellow handle. Complete with shaft extension.

GAZ1	For GA016 A-GA040 A and GA040 D❶	1	0.320
GAZ3	For GA063 A-GA125 A, GA080 D and GA125 D	1	1.900

With rotating black handle. Complete with shaft extension.

GAZ1 B	For GA016 A-GA040 A and GA040 D❶	1	0.320
GAZ3 B	For GA063 A-GA125 A, GA080 D and GA125 D	1	1.900

❶ Not suitable for GA063 SA type.

General characteristics

- Polymeric material
- Padlockable handle
- Sealable cover
- IEC IP65 degree of protection
- Entries
 - GAZ1: PG16/M25 and PG13.5/M20 knockouts
 - GAZ3: smooth surface to be drilled by user.

The empty enclosures are supplied with the following accessories:

Enclosure	GAZ1 B	GAZ3 B	GAZ 1	GAZ 3
GAX61 B handle	1	1	—	—
GAX61 handle	—	—	1	1
Shaft extension	1	1	1	1
Neutral plate terminal	1	—	1	—
Earth/Ground plate terminal	1	—	1	—

Certifications and compliance

Certifications obtained: GOST; cULus (see below).

Compliant with standards: IEC7EN 60947-1, IEC/EN 60947-3; UL508, UL98, CSA C22.2 for GAZ... UL types.

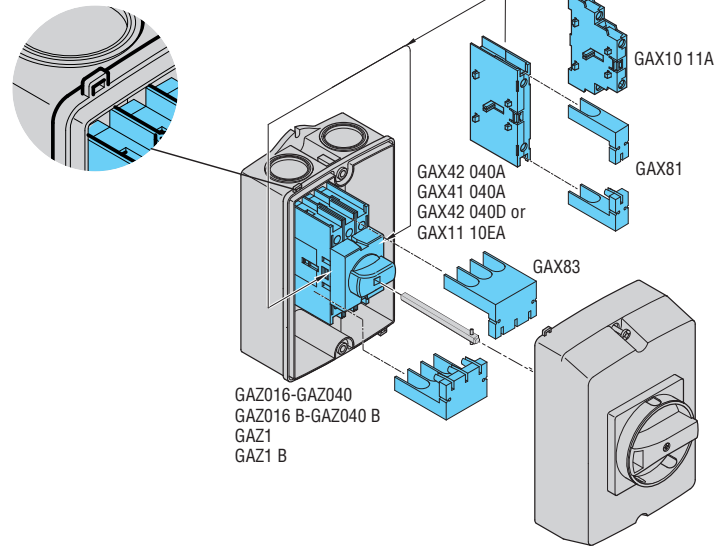
Special GAZ... versions

In addition to the standard-supplied types, versions UL Listed, for USA and Canada (File E93602), as Polymeric enclosures for motor controllers, are available (cULus pending GAZ3... types); UL Type 4, 4X ratings. Add suffix **UL** at the end of the order code; e.g. GAZ01 B **UL**.

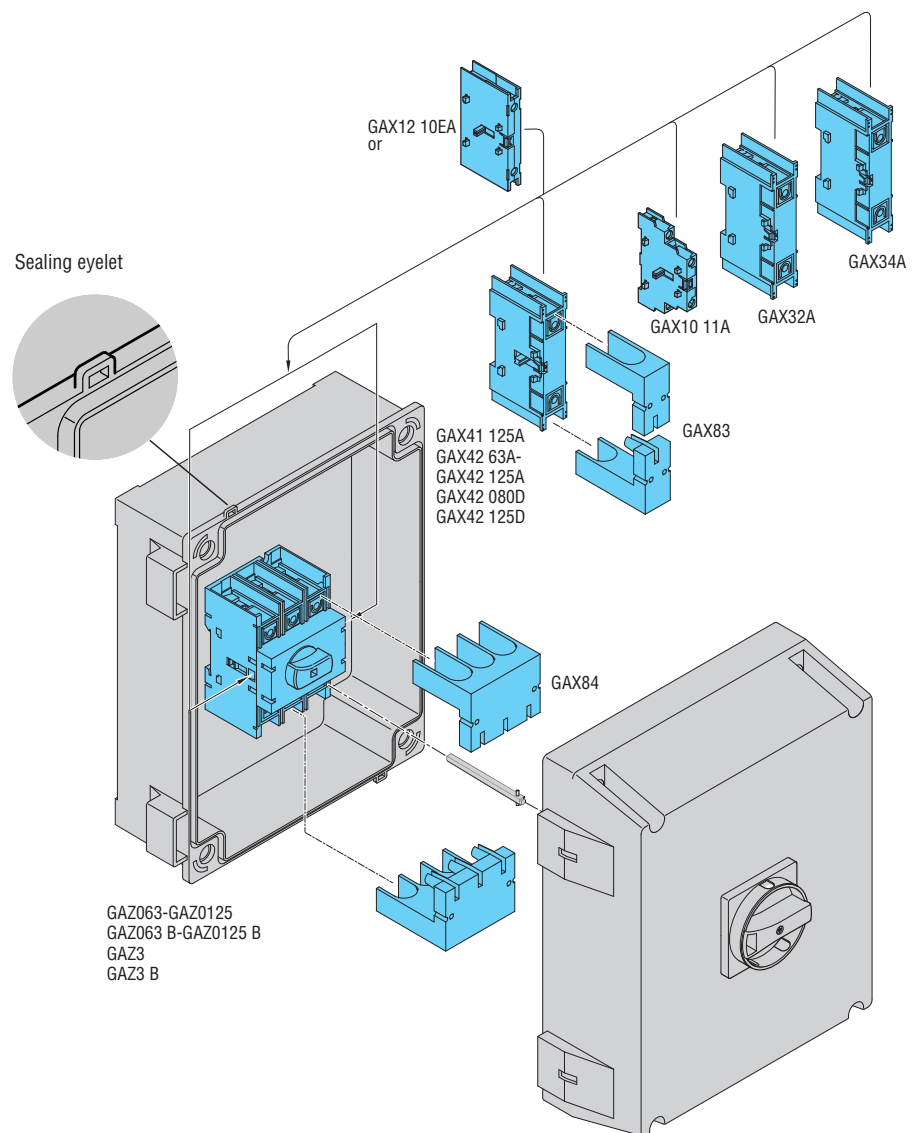
Maximum combinations

Enclosures

Sealing eyelet



One auxiliary contact block can be fitted on the right and left sides of the disconnector unless the fourth pole is fitted. The earth and neutral plate terminals are standard supplied on the enclosure base.



Two auxiliary contact blocks can be fitted both on the right and left sides of the disconnector. Earth/ground and neutral terminals, GAX... type, if any required, are to be purchased separately for the enclosure except for GAZ...UL types which have plate terminals standard supplied.

Three-pole switch disconnectors



GE...

Order code	IEC conventional free air thermal current I _{th} AC21A (≤500V)		IEC rated operational current I _e AC23A (≤400V) AC23A (≤500V)		Qty per pkg	Wt [kg]
	[A]	[A]	[A]	n°		
Separately order the handle and shaft extension ❶.						
GE0160 P ❷	160	160	125	1	0.850	
GE0160	160	160	125	1	0.850	
GE0200	200	160	125	1	0.900	
GE0250	250 ❸	160	125	1	0.900	
GE0251	250	250	200	1	1.700	
GE0315	315	315	250	1	1.700	
GE0400	400	400	315	1	1.900	
GE0500	500	500	400	1	4.200	
GE0630	630	630	500	1	4.200	
GE0800	800	800	500	1	4.200	
GE1000	1000	800	800	1	7.600	
GE1250	1250	800	800	1	7.600	
GE1600	1600	1000	900	1	20.800	



Three-pole switch disconnectors with fuse holder



GE... F - GE... N - GE... B

With NFC fuse holder ❸❹.						
Separately order the handle and shaft extension ❶❷.						
GE0050 F ❷	50	50	50	1	1.250	
GE0125 F ❷	125	125	125	1	1.700	
With NH fuse holder ❸.						
Separately order the handle and shaft extension ❶❷.						
GE0160 N	160	160	125	1	1.700	
GE0161 N	160	160	160	1	3.100	
GE0250 N	250	250	250	1	6.600	
GE0400 N	400	400	400	1	6.600	
GE0630 N	630	630	630	1	13.000	
GE0800 N	800	630	630	1	13.000	
With BS fuse holder ❸.						
Separately order the handle and shaft extension ❶❷.						
GE0160 B	160	160	160	1	3.500	
GE0200 B	200	200	200	1	3.500	
GE0250 B	250	250	250	1	6.600	
GE0315 B	315	315	315	1	6.600	
GE0400 B	400	400	400	1	6.600	
GE0630 B	630	630	630	1	13.000	
GE0800 B	800	630	630	1	13.000	

- ❶ Refer to the side table for the selection of the handle. A shaft insert is standard-supplied with all direct operating handles so no other shaft extension is required in this case.
- ❷ See table on page 11-20 also for the types of fuses.
- ❸ The switch disconnector is standard-supplied with fuse protection shield.
- ❹ Standard supplied with IEC IP20 terminal protection.
- ❺ IEC 250A I_{th}; IEC 200A AC21A ≤500V.

Selection of handle and accessories

Types of handle to use per type are given below. Also refer to pages 11-18 and 11-20.

Direct operating	Door coupling	
	Black	Red/yellow
GEX6 5D	GAX66 B	GAX66
GEX6 6D	GEX6 6B	GEX6 6
GEX6 7D	GEX6 7B	GEX6 7
GEX6 8D	GEX6 8B	GEX6 8
GEX6 9D	GEX6 9B	GEX6 9

Direct operating	Door coupling	
	Black	Red/yellow
GEX6 1D	GEX6 1B	GEX6 1
GEX6 2D	GEX6 6B	GEX6 6
GEX6 3D	GEX6 7B	GEX6 7
GEX6 4D	GEX6 4B	GEX6 4
GEX6 2D	GEX6 6B	GEX6 6
GEX6 3D	GEX6 7B	GEX6 7
GEX6 4D	GEX6 4B	GEX6 4

General characteristics

- 50A to 1600A ratings
- Available versions: direct operating and door coupling
- Screw fixing: 35mm DIN rail mount adapter kit for GE0160 P on p. 11-18
- Padlockable at 0 position with no extra accessory.

Operational characteristics

- IEC rated insulation voltage U_i:
 - 1000V for GE0160-GE1600, GE0160 P, GE0250 N/B-GE0800 N/B
 - 800V for GE0050 F, GE0125 F, GE0160 N/B, GE0161 N, and GE0200 B
- Mechanical life:
 - 30,000 cycles for GE0160-GE0250, GE0160 P
 - 20,000 cycles for GE0251-GE0400
 - 10,000 cycles for GE0500-GE1600, GE0050 F, GE0125 F, GE0160 N/B-GE0400 N/B
 - 5,000 cycles for GE0630 N/B-GE0800 N/B.

Certifications and compliance

Certifications obtained: GOST.
Compliant with standards: IEC/EN 60947-1, IEC/EN 60947-3.

Four-pole switch disconnectors



GE...T4...

Order code	IEC conventional free air thermal current Ith AC21A (≤500V)		IEC rated operational current Ie		Qty per pkg	Wt [kg]
	[A]	[A]	AC23A (≤400V)	AC23A (≤500V)		
	[A]	[A]	[A]	n°		
Separately order the handle and shaft extension ❶.						
GE0160 T4P ❷	160	160	125	1	1.000	
GE0160 T4	160	160	125	1	1.000	
GE0200 T4	200	160	125	1	1.000	
GE0250 T4	250❸	160	125	1	1.000	
GE0251 T4	250	250	200	1	1.900	
GE0315 T4	315	315	250	1	1.900	
GE0400 T4	400	400	315	1	2.100	
GE0500 T4	500	500	400	1	4.500	
GE0630 T4	630	630	500	1	4.500	
GE0800 T4	800	800	500	1	4.500	
GE1000 T4	1000	800	800	1	7.600	
GE1250 T4	1250	800	800	1	7.600	
GE1600 T4	1600	1000	900	1	20.800	



Four-pole switch disconnectors with fuse holder



GE... FT4 - GE...NT4-GE...BT4

With NFC fuse holder ❸❹.

Separately order the handle and shaft extension ❶❷.

GE0050 FT4 ❸	50	50	50	1	1.250
GE0125 FT4 ❸	125	125	125	1	1.700

With NH fuse holder ❸.

Separately order the handle and shaft extension ❶❷.

GE0160 NT4	160	160	125	1	2.200
GE0161 NT4	160	160	160	1	8.000
GE0250 NT4	250	250	250	1	8.000
GE0400 NT4	400	400	400	1	8.000
GE0630 NT4	630	630	630	1	15.000
GE0800 NT4	800	630	630	1	15.000

With BS fuse holder ❸.

Separately order the handle and shaft extension ❶❷.

GE0160 BT4	160	160	160	1	4.000
GE0200 BT4	200	200	200	1	4.000
GE0250 BT4	250	250	250	1	4.000
GE0315 BT4	315	315	315	1	8.000
GE0400 BT4	400	400	400	1	8.000
GE0630 BT4	630	630	630	1	15.000
GE0800 BT4	800	630	630	1	15.000

❶ Refer to the side table for the selection of the handle. A shaft insert is standard-supplied with all direct operating handles so no other shaft extension is required in this case.

❷ See table on page 11-21 also for the types of fuses.

❸ The switch disconnector is standard-supplied with fuse protection shield.

❹ Standard supplied with IEC IP20 terminal protection.

❺ IEC 250A Ith; IEC 200A AC21A ≤500V.

Selection of handles and accessories

Types of handle to use per type are given below. Also refer to pages 11-18 and 11-21.

Direct operating	Door coupling	
	Black	Red/yellow
GEX6 5D	GAX66 B	GAX66
GEX6 6D	GEX6 6B	GEX6 6
GEX6 7D	GEX6 7B	GEX6 7
GEX6 8D	GEX6 8B	GEX6 8
GEX6 9D	GEX6 9B	GEX6 9
Direct actuator	Door coupling	
Black	Black	Red/yellow
GEX6 1D	GEX6 1B	GEX6 1
Direct actuator	Door coupling	
Black	Black	Red/yellow
GEX6 1D	GEX6 1B	GEX6 1
GEX6 2D	GEX6 6B	GEX6 6
GEX6 3D	GEX6 7B	GEX6 7
GEX6 4D	GEX6 4B	GEX6 4
Direct actuator	Door coupling	
Black	Black	Red/yellow
GEX6 2D	GEX6 6B	GEX6 6
GEX6 3D	GEX6 7B	GEX6 7
GEX6 4D	GEX6 4B	GEX6 4

General characteristics

- 50A to 1600A ratings
- Available versions: direct operating and door coupling
- Screw fixing: 35mm DIN rail mount adapter kit for GE0160 T4P on p. 11-18
- Padlockable at 0 position with no extra accessory.

Operational characteristics

- IEC rated insulation voltage Ui:
 - 1000V for GE0160 T4-GE1600 T4, GE1600 T4P, GE0250 NT4/BT4-GE0800 NT4/BT4
 - 800V for GE0050 FT4, GE0125 FT4, GE0160 NT4/BT4, GE0161 NT, GE0200 BT4
- Mechanical life:
 - 30,000 cycles for GE0160 T4-GE0250 T4, GE1600 T4P
 - 20,000 cycles for GE0251 T4-GE0400 T4
 - 10,000 cycles for GE0500 T4-GE1600 T4, GE0050 FT4, GE0125 FT4, GE0160 NT4/BT4-GE0400 NT4/BT4
 - 5,000 cycles for GE0630 NT4/BT4, GE0800 NT4/BT4.

Certifications and compliance

Certifications obtained: GOST.
Compliant with standards: IEC/EN 60947-1, IEC/EN 60947-3.

Three-pole changeover switches



GE...E

Order code	IEC conventional free air thermal current I _{th} AC21A (≤500V)	IEC rated operational current I _e		Qty per pkg	Wt [kg]
		AC23B (≤400V)	AC23B (≤500V)		
	[A]	[A]	[A]	n°	[kg]
Separately order the handle and shaft extension❶.					
GE0160 E	160	160	125	1	1.800
GE0200 E	200	160	125	1	1.900
GE0201 E	200	200	160	1	4.800
GE0250 E	250	200	160	1	4.800
GE0315 E	315	250	200	1	5.000
GE0400 E	400	250	200	1	5.000
GE0500 E	500	400	315	1	11.500
GE0630 E	630	400	315	1	11.500
GE0800 E	800	630	400	1	11.900
GE1000 E	1000	1000	800	1	21.800
GE1250 E	1250	1000	800	1	23.600
GE1600 E	1600	1000	900	1	50.000

new

Four-pole changeover switches



GE...ET4

Order code	IEC conventional free air thermal current I _{th} AC21A (≤500V)	IEC rated operational current I _e		Qty per pkg	Wt [kg]
		AC23B (≤400V)	AC23B (≤500V)		
	[A]	[A]	[A]	n°	[kg]
Separately order the handle and shaft extension❶.					
GE0160 ET4	160	160	125	1	2.100
GE0200 ET4	200	160	125	1	2.200
GE0201 ET4	200	200	160	1	5.300
GE0250 ET4	250	200	160	1	5.300
GE0315 ET4	315	250	200	1	5.500
GE0400 ET4	400	250	200	1	5.500
GE0500 ET4	500	400	315	1	12.600
GE0630 ET4	630	400	315	1	12.600
GE0800 ET4	800	630	400	1	13.200
GE1000 ET4	1000	1000	800	1	24.300
GE1250 ET4	1250	1000	800	1	26.700
GE1600 ET4	1600	1000	900	1	55.000

new

❶ Refer to the side table for the selection of the handle. A shaft insert is standard-supplied with all direct operating handles so no other shaft extension is required in this case.

Selection of handles and accessories

Types of handle to use per type are given below. Also refer to pages 11-18 and 11-19.

Direct actuator	Door coupling
Black	Black
GEX6 1E	GEX6 1C
GEX6 2E	GEX6 2C
GEX6 3E	GEX6 3C
GEX6 4E	GEX6 4C
GEX6 9D	GEX6 5C

Selection of handles and accessories

Types of handle to use per type are given below. Also refer to pages 11-18 and 11-19.

Direct actuator	Door coupling
Black	Black
GEX6 1E	GEX6 1C
GEX6 2E	GEX6 2C
GEX6 3E	GEX6 3C
GEX6 4E	GEX6 4C
GEX6 9D	GEX6 5C

General characteristics

- 160A to 1600A ratings
- Available versions: direct operating and door coupling
- Screw fixing
- Padlockable at 0 position with no extra accessory.

Operational characteristics

- IEC rated insulation voltage U_i: 1000V
- Mechanical life: 30,000 cycles for GE0160 E/ET4 and GE0200 E/ET4 only; 10,000 cycles for other types.

Certifications and compliance

Certifications obtained: GOST.
Compliant with standards: IEC/EN 60947-1, IEC/EN 60947-3.

Auxiliary contacts

Terminal covers

Motorised unit



GEX10...



GEX89 00



GEX8...



GEX69...

For the correct choice of auxiliary contacts, terminals covers and motorised unit for the switch disconnector, refer to tables on pages 11-19 to 11-23.

Order code	Characteristics	Qty per pkg	Wt [kg]
------------	-----------------	-------------	---------

Auxiliary contacts ①②.

GEX10 11①②	1NO/1NC changeover/SPDT	1	0.032
-------------------	-------------------------	---	-------

Auxiliary contacts for switch disconnector types GE0050 F, GE0050 FT4, GE0125 F, GE0125 FT4, GE0160 N and GE0160 NT4.

GEX10 11N②	1NO/1NC changeover/SPDT	1	0.024
-------------------	-------------------------	---	-------

Auxiliary contacts for switch disconnector types GE0160 E, GE0200 E, GE0160 ET4, GE0200 ET4, GE1600 E and GE1600 ET4.

GEX10 11M②	1NO/1NC changeover/SPDT	1	0.016
-------------------	-------------------------	---	-------

Adapter kit for 35mm DIN fixing.

GEX89 00	For GE...P types only	1	0.040
-----------------	-----------------------	---	-------

Set of terminal covers consisting of pieces given below. See tables on pages 11-20 to 11-23 for the selection based on the switch disconnector type. Screw fixing.

GEX81 01	1-piece set, transparent sheet covering four poles	1	0.048
-----------------	--	---	-------

GEX81 11	2-piece set, each covers two poles	1	0.080
-----------------	------------------------------------	---	-------

GEX81 21	2-piece set, each covers two poles	1	0.140
-----------------	------------------------------------	---	-------

GEX81 31	2-piece set, each covers two poles	1	0.170
-----------------	------------------------------------	---	-------

GEX81 41	2-piece set, each covers two poles	1	0.440
-----------------	------------------------------------	---	-------

Snap-on fixing.

GEX82 01	3-piece set, each covers one pole	1	0.090
-----------------	-----------------------------------	---	-------

GEX82 03	4-piece set, each covers one pole	1	0.120
-----------------	-----------------------------------	---	-------

GEX82 11	3-piece set, each covers one pole	1	0.120
-----------------	-----------------------------------	---	-------

GEX82 12	3-piece set, each covers one pole	1	0.120
-----------------	-----------------------------------	---	-------

GEX82 13	4-piece set, each covers one pole	1	0.160
-----------------	-----------------------------------	---	-------

GEX82 21	3-piece set, each covers one pole	1	0.240
-----------------	-----------------------------------	---	-------

GEX82 22	3-piece set, each covers one pole	1	0.240
-----------------	-----------------------------------	---	-------

GEX82 23	4-piece set, each covers one pole	1	0.320
-----------------	-----------------------------------	---	-------

GEX82 31	3-piece set, each covers one pole	1	0.340
-----------------	-----------------------------------	---	-------

GEX82 32	3-piece set, each covers one pole	1	0.340
-----------------	-----------------------------------	---	-------

GEX82 33	4-piece set, each covers one pole	1	0.440
-----------------	-----------------------------------	---	-------

GEX83 11	3-piece set, each covers one pole	1	0.120
-----------------	-----------------------------------	---	-------

GEX83 12	4-piece set, each covers one pole	1	0.160
-----------------	-----------------------------------	---	-------

GEX83 21	3-piece set, each covers one pole	1	0.260
-----------------	-----------------------------------	---	-------

GEX83 22	4-piece set, each covers one pole	1	0.340
-----------------	-----------------------------------	---	-------

GEX83 31	3-piece set, each covers one pole	1	0.360
-----------------	-----------------------------------	---	-------

GEX83 32	4-piece set, each covers one pole	1	0.460
-----------------	-----------------------------------	---	-------

Motorised control unit for changeover switches. Rated auxiliary supply voltage 230VAC/DC.

GEX69 1	For GE0201 E-GE0400 E and GE0201 ET4-GE0400 ET4	1	3.840
----------------	---	---	-------

GEX69 2	For GE0500 E-GE0800 E and GE0500 ET4-GE0800 ET4	1	5.340
----------------	---	---	-------

GEX69 3	For GE1000 E-GE1600 E and GE1000 ET4-GE1600 ET4	1	5.753
----------------	---	---	-------

① Suitable for all types except switch disconnectors GE0050 F, GE0050 FT4, GE0125 F, GE0125 FT4, GE0160 N, GE0160 NT4, GE0160 E, GE0200 E, GE0160 ET4, GE0200 ET4, GE1600 E and GE1600 ET4.

② Changeover contact/SPDT.

Selection of add-on contacts and accessories
Refer to the combinations given on pages 11-19 to 11-23 for a correct choice based on the switch disconnector type used.

General characteristics for auxiliary contacts
IEC conventional free air thermal current I_{th}: 16A.

- General characteristics for motorised control unit**
- IEC rated auxiliary supply voltage: 230VAC/DC
 - 4 static outputs, 24VDC 120mA total
 - 4 inputs, contacts powered at 24VDC or 5VDC (500mA) for changeover control (pulsed or continuous)
 - RS485 Modbus serial port for control, monitoring, programming
 - Padlockable at 0 position
 - Programming by position inputs
 - 4-digit display for status-error indications.

Certifications and compliance
Certifications obtained: GOST.
Compliant with standards: IEC/EN 60947-1, IEC/EN 60947-3.

Handles



GEX...D-GEX...E



GAX66



GEX61-GEX69



GEX...B-GEX...C

Order code	Characteristics	Qty per pkg	Wt
		n°	[kg]

DIRECT OPERATING LEVER HANDLE, PADLOCKABLE ①.
Rotating type with screw fixing on switch disconnector.
Complete with shaft insert.

GEX6 1D	95mm/3.7in black 1-hand	1	0.340
GEX6 1E	50mm/2in black 1-hand	1	0.052
GEX6 2D	105mm/4.1mm black 1-hand	1	0.268
GEX6 2E	105mm/4.1mm black 1-hand	1	0.266
GEX6 3D	145mm/5.7in black 2-hand	1	0.536
GEX6 3E	145mm/5.7in black 2-hand	1	0.424
GEX6 4D	360mm/14.2in black 2-hand	1	0.612
GEX6 4E	360mm/14.2in black 2-hand	1	0.612
GEX6 5D	60mm/2.4in black 1-hand	1	0.054
GEX6 6D	105mm/4.1in black 1-hand	1	0.216
GEX6 7D	245mm/9.6in black 2-hand	1	0.322
GEX6 8D	285mm/11.2in black 2-hand	1	0.328
GEX6 9D	360mm/14.2in black 2-hand	1	0.400

DOOR COUPLING LEVER HANDLE, PADLOCKABLE ①.
Red/yellow rotating type with screw fixing on door.
Shaft extension to order separately.

GAX66 ②	Pistol grip with release, defeatable per UL508A. □ 7mm/0.3in ②. IEC IP66	1	0.140
GEX6 1	1-hand. □ 7mm/0.3in. IEC IP65	1	0.326
GEX6 4	2-hand □ 14mm/0.6in. IEC IP65	1	0.486
GEX6 6	1-hand. □ 10mm/0.4in. IEC IP65	1	0.248
GEX6 7	2-hand □ 14mm/0.6in. IEC IP65	1	0.302
GEX6 8	2-hand □ 14mm/0.6in. IEC IP65	1	0.312
GEX6 9	2-hand □ 14mm/0.6in. IEC IP65	1	0.560

DOOR COUPLING LEVER HANDLE, PADLOCKABLE ①.
Black rotating type with screw fixing on door.
Shaft extension to order separately.

GAX66 B ②	Pistol grip with release, defeatable per UL508A. □ 7mm ②. IP66	1	0.075
GEX6 1B	1-hand. □ 7mm/0.3in. IEC IP65	1	0.334
GEX6 1C	1-hand. □ 7mm/0.3in. IEC IP65	1	0.074
GEX6 2C	1-hand. □ 10mm/0.4in IEC IP65	1	0.252
GEX6 3C	2-hand □ 14mm/0.6in. IEC IP65	1	0.302
GEX6 4B	2-hand □ 14mm/0.6in. IEC IP65	1	0.492
GEX6 4C	2-hand □ 14mm/0.6in. IEC IP65	1	0.488
GEX6 5C	2-hand □ 14mm/0.6in. IEC IP65	1	0.565
GEX6 6B	1-hand. □ 10mm/0.4in. IEC IP65	1	0.246
GEX6 7B	2-hand □ 14mm/0.6in. IEC IP65	1	0.298
GEX6 8B	2-hand □ 14mm/0.6in. IEC IP65	1	0.310
GEX6 9B	2-hand □ 14mm/0.6in. IEC IP65	1	0.550

SHAFT EXTENSION
for door coupling lever handles.

GAX7 150A	150mm/5.9in; □ 7mm/0.3in	1	0.090
GAX7 200A	200mm/7.9in; □ 7mm/0.3in	1	0.112
GAX7 300A	300mm/11.8in; □ 7mm/0.3in	1	0.160
GEX7 137	137mm/5.4in ①, □ 7mm/0.3in	1	0.056
GEX7 160	160mm/6.3in ①, □ 14mm/0.6in	1	0.248
GEX7 191	191mm/7.5in ①, □ 10mm/0.4in	1	0.154
GEX7 204	204mm/8in ①, □ 14mm/0.6in	1	0.310
GEX7 206	206mm/8in ①, □ 7mm/0.3in	1	0.084
GEX7 310	310mm/12.2in ①, □ 14mm/0.6in	1	0.480
GEX7 340	340mm/13.4in ①, □ 10mm/0.4in	1	0.274
GEX7 347	347mm/13.7in ①, □ 7mm/0.3in	1	0.142
GEX7 500	500mm/19.7in ①, □ 10mm/0.4in	1	0.408
GEX7 501	501mm/19.7in ①, □ 14mm/0.6in	1	0.784
GEX7 600	600mm/23.6in ①, □ 14mm/0.6in	1	0.930

① See tables on pages 11-19 to 11-23 for the correct choice based on the switch disconnector type used.

② Use with GAX7...A extension types only.

Certifications and compliance

Certifications obtained: GOST; cULus to UL98 / CSA C22.2 n°4 for GAX66... and GAX7...A types.
Compliant with standards: IEC/EN 60947-1, IEC/EN 60947-3.

11

Shaft extension



GAX7...A



GEX7...

For the correct choice of handle and shaft extension for the switch disconnector, refer to tables on pages 11-19 to 11-23.

Summary table of combinations - Three and four-pole changeover switches

Type	IEC Conventional free air thermal current I _{th}	IEC rated operational current I _e		Direct operating handle	Door-coupling handles			Shaft extension for door-coupling handles (the last 3 digits of order code indicate length in mm/in)		Auxiliary contacts 1NO/1NC (SPDT)	Motorised control unit	Terminal covers for:			
		AC21A (≤500V)	AC23B (≤400V)		AC23B (≤500V)	Black	Black	Red/Yellow	Width			mm/in	Sect.	Order code	Order code
Order code	[A]	[A]	[A]	Order code	Order code	Order code				Order code	Order code	Order code	Order code	Order code	Order code

Changeover switches. Three poles.

GE0160 E	160	160	125	GEX6 1E	GEX6 1C	—		255/10"	7mm	GEX7 137 GEX7 206 GEX7 347	GEX1011M	—	GEX81 01 ①	—	GEX81 01									
GE0200 E	200	160	125				50mm/ 2"	330/13" 475/18.7"	0.3"															
GE0201 E	200	200	160	GEX6 2E	GEX6 2C	—		280/11"	10mm/ 0.4"	GEX7 191 GEX7 340 GEX7 500	GEX1011	GEX69 1	GEX82 12	GEX82 11	GEX83 11									
GE0250 E	250	200	160				105mm/ 4.1"	430/16.9" 590/23.2"	0.4"															
GE0315 E	315	250	200																					
GE0400 E	400	250	200																					
GE0500 E	500	400	315				GEX6 3E	GEX6 3C	—								260/10.2"	14mm/ 0.6"	GEX7 160 GEX7 310 GEX7 501	GEX1011M	GEX69 2	GEX82 22	GEX82 21	GEX83 21
GE0630 E	630	400	315													145mm/ 5.7"	410/16.1" 600/23.6"	0.6"						
GE0800 E	800	630	400																					
GE1000 E	1000	1000	800	GEX6 4E	GEX6 4C	—		280/11"		GEX7 204 GEX7 600	GEX1011M	GEX69 3	GEX82 32	GEX82 31	GEX83 31									
GE1250 E	1250	1000	800				360mm/ 14.2"	430/16.9" 625/24.6"																
GE1600 E	1600	1000	800	GEX6 9D	GEX6 5C	—		400/15.7" 795/31.3"	14mm/ 0.6"				GEX81 41	—	GEX81 41									

Changeover switches. Four poles.

GE0160 ET4	160	160	125	GEX6 1E	GEX6 1C	—		255/10"	7mm	GEX7 137 GEX7 206 GEX7 347	GEX1011M	—	GEX81 01 ①	—	GEX81 01									
GE0200 ET4	200	160	125				50mm/ 2"	330/13" 475/18.7"	0.3"															
GE0201 ET4	200	200	160	GEX6 2E	GEX6 2C	—		280/11"	10mm/ 0.4"	GEX7 191 GEX7 340 GEX7 500	GEX1011	GEX69 1	GEX82 13	GEX82 13	GEX83 12									
GE0250 ET4	250	200	160				105mm/ 4.1"	430/16.9" 590/23.2"	0.4"															
GE0315 ET4	315	250	200																					
GE0400 ET4	400	250	200																					
GE0500 ET4	500	400	315				GEX6 3E	GEX6 3C	—								260/10.2"	14mm/ 0.6"	GEX7 160 GEX7 310 GEX7 501	GEX1011M	GEX69 2	GEX82 23	GEX82 23	GEX83 22
GE0630 ET4	630	400	315													145mm/ 5.7"	410/16.1" 600/23.6"	0.6"						
GE0800 ET4	800	630	400																					
GE1000 ET4	1000	1000	800	GEX6 4E	GEX6 4C	—		280/11"		GEX7 204 GEX7 600	GEX1011M	GEX69 3	GEX82 33	GEX82 33	GEX83 32									
GE1250 ET4	1250	1000	800				360mm/ 14.2"	430/16.9" 625/24.6"																
GE1600 ET4	1600	1000	800	GEX6 9D	GEX6 5C	—		400/15.7" 795/31.3"	14mm/ 0.6"				GEX81 41	—	GEX81 41									

① GEX81 01 terminal cover protects the input of both Line 1 and Line 2.

Summary table of combinations - Three-pole switch disconnectors

Three-pole type ①	IEC Conventional free air thermal current I _{th}		IEC rated operational current I _e		Direct operating handle	Door-coupling handles			Shaft extensions for door-coupling handles (the last 3 digits of order code indicate length in mm/in)		Auxiliary contacts 1NO/1NC (SPDT)	Type of fuse	Terminal covers for:	
	AC21A (≤500V)	AC23A (≤400V)	AC23A (≤500V)		Black	Black	Red/Yellow	Width	mm	Sect.			Line	Load
Order code	[A]	[A]	[A]		Order code	Order code	Order code						Order code	Order code

Switch disconnectors.

GE0160 P ②	160	160	125		GEX6 5D	GAX66 B	GAX66		215/8.5"	7mm/0.3"	GAX7 150A GAX7 200A GAX7 300A	GEX1011	—	— ③	— ③
GE0160	160	160	125					60mm	265/10.4"					GEX81 01	GEX81 01
GE0200	200	160	125					2.4"	365/14.4"						
GE0250 ③	250	160	125												
GE0251	250	250	200		GEX6 6D	GEX6 6B	GEX6 6		250/9.8"	10mm/0.4"	GEX7 191 GEX7 340 GEX7 500			GEX81 11	GEX81 11
GE0315	315	315	250					105mm	400/15.7"						
GE0400	400	400	315					4.1"	560/22"						
GE0500	500	500	400		GEX6 7D	GEX6 7B	GEX6 7		250/9.8"	14mm/0.6"	GEX7 160 GEX7 310 GEX7 501			GEX81 21	GEX81 21
GE0630	630	630	500					245mm	400/15.7"						
GE0800	800	630	500					9.6"	590/23.2"						
GE1000	1000	800	800		GEX6 8D	GEX6 8B	GEX6 8		265/10.4"					GEX81 31	GEX81 31
GE1250	1250	800	800					285mm	415/16.3"						
								11.2"	605/23.8"						
GE1600	1600	1000	900		GEX6 9D	GEX6 9B	GEX6 9		400/15.7"	14mm/0.6"	GEX7 204 GEX7 600			GEX81 41	GEX81 41
								360mm	795/31.3"						
								14.2"							

Switch disconnectors with NFC fuse holder.

GE0050 F ④	50	50	50		GEX6 1D	GEX6 1B	GEX6 1		187/7.4"	7mm/0.3"	GEX7 137 GEX7 206 GEX7 347	GEX1011N	14x51	— ⑤	— ⑤
GE0125 F ④	125	125	125					95mm	255/10"				22x58		
								3.7"	395/15.5"						

Switch disconnectors with NH fuse holder.

GE0160 N	160	160	125		GEX6 1D	GEX6 1B	GEX6 1		187/7.4"	7mm/0.3"	GEX7 137 GEX7 206 GEX7 347	GEX1011N	00	GEX82 01	GEX82 01
								95mm	255/10"						
								3.7"	395/15.5"						
GE0161 N	160	160	160		GEX6 2D	GEX6 6B	GEX6 6		295/11.6"	10mm/0.4"	GEX7 191 GEX7 340 GEX7 500	GEX1011	0	GEX82 11	GEX82 12
								105mm	445/17.5"						
								4.1"	605/23.8"						
GE0250 N	250	250	250		GEX6 3D	GEX6 7B	GEX6 7		280/11"	14mm/0.6"	GEX7 160 GEX7 310 GEX7 501		1	GEX82 21	GEX82 22
GE0400 N	400	400	400					245mm	430/16.9"				2		
								9.6"	620/24.4"						
GE0630 N	630	630	630		GEX6 4D	GEX6 4B	GEX6 4		285/11.2"				3	GEX82 31	GEX82 32
GE0800 N	800	630	630					360mm	435/17.3"						
								14.2"	625/24.6"						

Switch disconnectors with BS fuse holder.

GE0160 B	160	160	160		GEX6 2D	GEX6 6B	GEX6 6		295/11.6"	10mm/0.4"	GEX7 191 GEX7 340 GEX7 500	GEX1011	A4	GEX82 11	GEX82 12
GE0200 B	200	200	200					105mm	445/17.5"				B1-B2		
GE0250 B	250	250	250					4.1"	605/23.8"						
GE0315 B	315	315	315		GEX6 3D	GEX6 7B	GEX6 7		280/11"	14mm/0.6"	GEX7 160 GEX7 310 GEX7 501		B1-B2-B3	GEX82 21	GEX82 22
GE0400 B	400	400	400					245mm	430/16.9"				B1-B2-B3-B4		
								9.6"	620/24.4"						
GE0630 B	630	630	630		GEX6 4D	GEX6 4B	GEX6 4		285/11.2"				C1-C2	GEX82 31	GEX82 32
GE0800 B	800	630	630					360mm	435/17.3"				C1-C2-C3		
								14.2"	625/24.6"						

① The motorised control unit cannot be installed.

② Standard supplied with IP20 terminal protection warranted by wired equipment with only maximum conductor section of 95mm². Suitable for mounting on 35mm DIN (IEC/EN 60715) rail, adapters kit is available on page 11-18.

③ IEC 250A I_{th}; IEC 200A AC21A ≤500V.

④ Standard supplied with IEC IP20 terminal protection warranted by wired equipment with only maximum conductor section of 35mm² for GE0050 F and of 95mm² for GE0125 F.

Summary table of combinations - Four-pole switch disconnectors

Four-pole type ①	IEC conventional free air thermal current I _{th}	IEC rated operational current I _e		Direct operating handle	Door-coupling handles			Shaft extensions for door-coupling handles (the last 3 digits of order code indicate length in mm/in)		Auxiliary contacts 1NO/1NC (SPDT)	Type of fuse	Terminal covers for:	
		AC21A (≤500V)	AC23A (≤400V)	AC23A (≤500V)	Black	Black	Red/Yellow	Width	mm			Sect.	Order code
Order code	[A]	[A]	[A]	Order code	Order code	Order code				Order code	Order code	Order code	Order code

Switch disconnectors.

GE0160 T4P ②	160	160	125	GEX6 5D	GAX66 B GAX66		60mm 2.4"	215/8.5" 265/10.4" 365/14.4"	7mm/ 0.3"	GAX7 150A GAX7 200A GAX7 300A	GEX1011	—	—	—
GE0160 T4	160	160	125										GEX81 01	GEX81 01
GE0200 T4	200	160	125											
GE0250 T4 ③	250	160	125											
GE0251 T4	250	250	200	GEX6 6D	GEX6 6B GEX6 6		105mm 4.1"	250/9.8" 400/15.7" 560/22"	10mm/ 0.4"	GEX7 191 GEX7 340 GEX7 500	GEX1011	—	GEX81 11	GEX81 11
GE0315 T4	315	315	250											
GE0400 T4	400	400	315											
GE0500 T4	500	500	400											
GE0630 T4	630	630	500	GEX6 7D	GEX6 7B GEX6 7		245mm 9.6"	250/9.8" 400/15.7" 590/23.2"	14mm/ 0.6"	GEX7 160 GEX7 310 GEX7 501	GEX1011	—	GEX81 21	GEX81 21
GE0800 T4	800	630	500											
GE1000 T4	1000	800	800											
GE1250 T4	1250	800	800											
GE1600 T4	1600	1000	900	GEX6 9D	GEX6 9B GEX6 9		360mm 14.2"	400/15.7" 795/31.3"	14mm/ 0.6"	GEX7 204 GEX7 600	GEX1011	—	GEX81 41	GEX81 41

Switch disconnectors with NFC fuse holder.

GE0050 FT4 ④	50	50	50	GEX6 1D	GEX6 1B GEX6 1		95mm 3.7"	187/7.4" 255/10" 395/15.5"	7mm/ 0.3"	GEX7 137 GEX7 206 GEX7 347	GEX1011N	14x51 22x58	—	—
GE0125 FT4 ④	125	125	125											

Switch disconnectors with NH fuse holder.

GE0160 NT4	160	160	125	GEX6 1D	GEX6 1B GEX6 1		95mm 3.7"	187/7.4" 255/10" 395/15.5"	7mm/ 0.3"	GEX7 137 GEX7 206 GEX7 347	GEX1011N	00	GEX82 03	GEX82 03									
GE0161 NT4	160	160	160										GEX6 2D	GEX6 6B GEX6 6		105mm 4.1"	295/11.6" 445/17.5" 605/23.8"	10mm/ 0.4"	GEX7 191 GEX7 340 GEX7 500	GEX1011	0	GEX82 13	GEX82 13
GE0250 NT4	250	250	250	GEX6 3D	GEX6 7B GEX6 7		245mm 9.6"	280/11" 430/16.9" 620/24.4"	14mm/ 0.6"	GEX7 160 GEX7 310 GEX7 501	GEX1011	1 2										GEX82 23	GEX82 23
GE0400 NT4	400	400	400																				
GE0630 NT4	630	630	630	GEX6 4D	GEX6 4B GEX6 4		360mm 14.2"	285/11.2" 435/17.3" 625/24.6"	14mm/ 0.6"	GEX7 160 GEX7 310 GEX7 501	GEX1011	3										GEX82 33	GEX82 33
GE0800 NT4	800	630	630																				

Switch disconnectors with BS fuse holder.

GE0160 BT4	160	160	160	GEX6 2D	GEX6 6B GEX6 6		105mm 4.1"	295/11.6" 445/17.5" 605/23.8"	10mm/ 0.4"	GEX7 191 GEX7 340 GEX7 500	GEX1011	A4 B1-B2	GEX82 13	GEX82 13									
GE0200 BT4	200	200	200																				
GE0250 BT4	250	250	250										GEX6 3D	GEX6 7B GEX6 7		245mm 9.6"	280/11" 430/16.9" 620/24.4"	14mm/ 0.6"	GEX7 160 GEX7 310 GEX7 501	GEX1011	B1-B2-B3 B1-B2-B3-B4	GEX82 23	GEX82 23
GE0315 BT4	315	315	315																				
GE0400 BT4	400	400	400	GEX6 4D	GEX6 4B GEX6 4		360mm 14.2"	285/11.2" 435/17.3" 625/24.6"	14mm/ 0.6"	GEX7 160 GEX7 310 GEX7 501	GEX1011	C1-C2 C1-C2-C3	GEX82 33	GEX82 33									
GE0630 BT4	630	630	630																				
GE0800 BT4	800	630	630																				

① The motorised control unit cannot be installed.

② Standard supplied with IP20 terminal protection warranted by wired equipment with only maximum conductor section of 95mm². Suitable for mounting on 35mm DIN (IEC/EN 60715) rail, adapters kit is available on page 11-18.

③ IEC 250A I_{th}; IEC 200A AC21A ≤500V.

④ Standard supplied with IEC IP20 terminal protection warranted by wired equipment with only maximum conductor section of 35mm² for GE0050 FT4 and of 95mm² for GE0125 FT4.

Three-pole switch disconnectors



GA040 D **GA080 D**
GA125 D

Fourth pole add-on



GAX42...D

Order code	IEC conventional free air thermal current I _{th}	IEC rated operational current I _e DC21B			Qty per pkg	Wt [kg]
		800V 4 p	1000V 6 p	1000V 8 p		
[A]	[A]	[A]	[A]	n°	[kg]	

Direct operating version, complete with black handle.
For door-coupling version, separately order the handle and shaft extension; refer to pages 11-9 and 11-10.

Order code	40	80	125	15	20	25	32	40	1	0.135	0.355	0.355
GA040 D	40	80	125	15	20	25	32	40	1	0.135	0.355	0.355
GA080 D	40	80	125	15	20	25	32	40	1	0.135	0.355	0.355
GA125 D	40	80	125	15	20	25	32	40	1	0.135	0.355	0.355

Fourth pole add-on with simultaneous closing operation as corresponding GA...D switch poles.

Order code	40	80	125	1	0.040	0.110	0.110
GAX42 040D	40	80	125	1	0.040	0.110	0.110
GAX42 080D	40	80	125	1	0.040	0.110	0.110
GAX42 125D	40	80	125	1	0.040	0.110	0.110

NOTE: See UL/CSA ratings on page 11-48 and/or on the bottom of page 11-4.

UTILISATION IN DC21B CATEGORY

Operational voltage U _e [V]	Maximum operational current in a configuration with:		
	[A]	[A]	[A]

2 POLES IN SERIES.

Products to fit together	GA040 D	GA080 D	GA125 D
300	16	20	25

3 POLES IN SERIES.

Products to fit together	GA040 D	GA080 D	GA125 D
48	40	80	125
110	35	70	120
220	32	40	95
500	12	15	20

4 POLES IN SERIES.

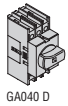
Products to fit together	GA040 D + GAX42 040D	GA080 D + GAX42 080D	GA125 D + GAX42 125D
400	35	40	64
440	32	40	64
500	32	40	56
600	20	30	40
700	15	18	20
750	15	18	20
800	15	18	20
1000	—	12	15

6 POLES IN SERIES.

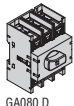
Products to fit together	GA040 D + GA040 D + GAX60 00	GA080 D + GA080 D + GAX60 01	GA125 D + GA125 D + GAX60 01
600	35	45	50
700	30	35	40
750	25	35	40
800	25	35	40
1000	10	20	25

8 POLES IN SERIES.

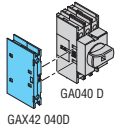
Products to fit together	GA040 D + GA040 D + GAX42 040D + GAX42 040D + GAX60 00	GA080 D + GA080 D + GAX42 080D + GAX42 080D + GAX60 01	GA125 D + GA125 D + GAX42 125D + GAX42 125D + GAX60 01
700	40	60	80
750	35	50	60
800	35	50	60
1000	25	32	40



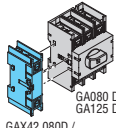
GA040 D



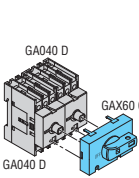
GA080 D / GA125 D



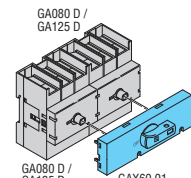
GA040 D + GAX42 040D



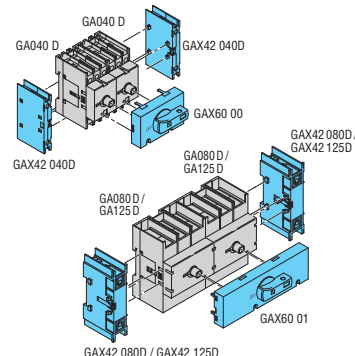
GA080 D / GA125 D + GAX42 080D / GAX42 125D



GA040 D + GAX60 00



GA080 D / GA125 D + GAX60 01



GA040 D + GAX42 040D + GAX60 00 + GA080 D / GA125 D + GAX42 080D / GAX42 125D + GAX60 01

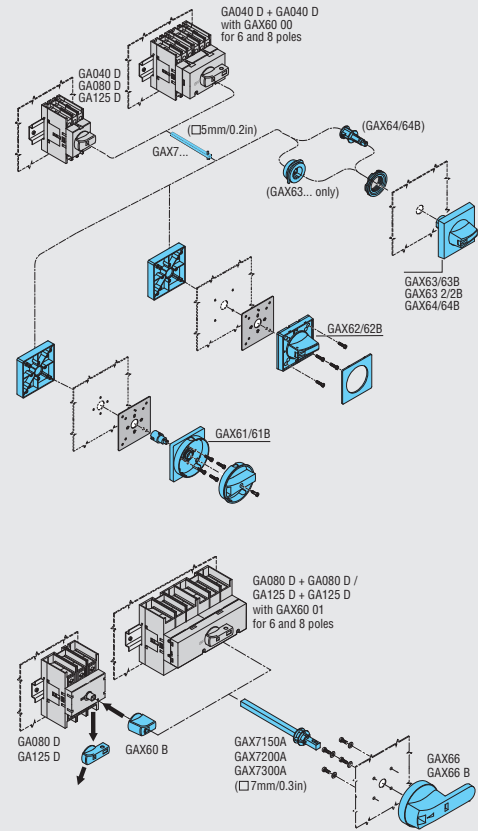
General characteristics

- 40A to 125A ratings
- Available versions:
 - direct operating
 - door coupling version. Use switch disconnector with direct actuator and separately order the handle and shaft extension for this version. See pages 11-9 and 11-10.
- Screw or 35mm DIN (IEC/EN 60715) rail fixing
- Padlockable in 0 position with no extra accessory.

Operational characteristics

- IEC rated insulation voltage U_i: 1000V
- IEC rated impulse withstand U_{imp}: 8kV
- Mechanical life:
 - 100,000 cycles for GA040 D and GAX42 040 D
 - 30,000 cycles for GA080 D, GAX42 080 D, GA125 D and GAX42 125D.

Transformation of direct operating version into door coupling type



Certifications and compliance

Certifications obtained: GOST; UL Listed for USA and Canada (File E93602), to UL508/CSA C22.2 n° 14 for GA040 D and GAX42 040D and, (File E328470) to UL98/CSA C22.2 n° 4 for GA080 D, GA125 D, GAX42 080D and GAX42 125D.
Compliant with standards: IEC/EN 60947-1, IEC/EN 60947-3, UL508, UL98, CSA C22.2.

Strokes of GA...D types (switch and add-on pole)

	Travel 0→1	0°	30°	60°	90°
GA040 D Main poles				60°	
GAX420 40D Simultaneous fourth-pole add on				60°	
GA080 D - GA125 D Main poles				55°	
GAX42 080D - GAX42 125D Simultaneous fourth-pole add on				55°	
		OFF			ON

Four-pole switch disconnectors



GE...DT4 - GE...DT4P

new

new

new

Order code	Conventional free air thermal current I _{th}	Rated operational current I _e DC21B ②		Qty per pkg	Wt [kg]
		(220V)	(800V)		
	[A]	[A]	[A]	n°	[kg]

Version for photovoltaic applications.
Separately order the handle and shaft extension ③.

GE0160 DT4	160	160	30	1	1.000
GE0160 DT4P ②	160	160	30	1	1.000
GE0125 DT4	125	125	100	1	1.900
GE0250 DT4	250	250	200	1	2.000
GE0315 DT4	315	315	250	1	4.000
GE0630 DT4	630	630	270	1	4.500
GE0800 DT4	800	800	500	1	4.500
GE1250 DT4	1250	1250	850	1	8.900

① Refer to the side table for the selection of the handle. A shaft insert is standard-supplied with all direct operating handles so no other shaft extension is required in this case.

② Connection of four poles in series.

③ Standard supplied with IEC IP20 terminal protection.

DC21B CATEGORY UTILISATION

Product to order and wire	Operational voltage U _e												
	48V	110V	220V	400V	440V	500V	600V	750V	800V	850V	900V	1000V	
	Maximum operational current												
	[A]	[A]	[A]	[A]	[A]	[A]	[A]	[A]	[A]	[A]	[A]	[A]	[A]

4 POLES IN SERIES.

GE0160 DT4	160	160	160	160	150	150	150	80	70	45	40	30
GE0160 DT4P	160	160	160	160	150	150	150	80	70	45	40	30
GE0125 DT4	125	125	125	125	125	125	125	125	125	125	125	100
GE0250 DT4	250	250	250	250	250	250	250	250	250	240	220	200
GE0315 DT4	315	315	315	315	315	315	315	290	280	270	260	250
GE0630 DT4	630	630	630	630	630	630	500	400	350	320	300	270
GE0800 DT4	800	800	800	800	750	700	700	650	630	580	550	500
GE1250 DT4	1250	1250	1250	1250	1250	1250	1050	1000	940	870	850	

Selection of handles and accessories

Types of handle to use per type are given below. Also refer to pages 11-18 and at page bottom.

Direct operating	Door coupling	
	Black	Red/yellow
Black	Black	Red/yellow
GEX6 5D	GAX66 B	GAX66
GEX6 6D	GEX6 6B	GEX6 6
GEX6 7D	GEX6 7B	GEX6 7
GEX6 8D	GEX6 8B	GEX6 8

General characteristics

- 160A to 1250A ratings
- Available versions:
 - direct operating
 - door coupling. Use switch disconnector with direct operation and separately order the handle and shaft extension. See pages 11-8 and at page bottom.
- Screw fixing: 35mm DIN rail mount adapter kit for GE0160 DT4P on p. 11-17
- Padlockable at 0 position with no extra accessory.

Operational characteristics

- IEC rated insulation voltage U_i: 1000V
- Mechanical life:
 - 30,000 cycles for GE0160 DT4, GE0160 DT4P
 - 20,000 cycles for GE0125 DT4, GE0250 DT4, GE0315 DT4
 - 10,000 cycles for GE0630 DT4, GE0800 DT4, GE1250 DT4.

Certifications and compliance

Certifications obtained: GOST.
Compliant with standards: IEC/EN 60947-1, IEC/EN 60947-3.

Summary table of combinations

Four-pole type ①	Conventional free air thermal current I _{th}	Rated operational current I _e DC21B ②		Direct operating handle			Door-coupling handles			Shaft extension for door-coupling handles (the last 3 digits of order code indicate length in mm/in)		Auxiliary contacts 1NO/1NC (SPDT)	Terminal covers for:	
		(≤220V)	(≤1000V)	Black	Black	Red/Yellow	Width	mm	mm	mm	mm		Line	Load
Order code	[A]	[A]	[A]	Order code	Order code	Order code	Order code	Order code	Order code	Order code	Order code	Order code	Order code	Order code
GE0160 DT4	160	160	30	GEX6 5D	GAX66 B	GAX66					GAX7 150A	GEX1011	GEX81 01	GEX81 01
GE0160 DT4P ②	160	160	30				60mm	265/10.4"	7mm/0.3"		GAX7 200A		— ③	— ③
							2.4"	365/14.4"			GAX7 300A			
GE0125 DT4	125	125	100	GEX6 6D	GEX6 6B	GEX6 6		105mm	250/9.8"	10mm/0.4"	GEX7 191		GEX81 11	GEX81 11
GE0250 DT4	250	250	200				105mm	400/15.7"	10mm/0.4"		GEX7 340			
GE0315 DT4	315	315	250				4.2"	590/23.2"	14mm/0.6"		GEX7 500			
GE0630 DT4	630	630	270	GEX6 7D	GEX6 7B	GEX6 7		245mm	250/9.8"	14mm/0.6"	GEX7 160		GEX81 21	GEX81 21
GE0800 DT4	800	800	500				9.6"	400/15.7"	14mm/0.6"		GEX7 310			
							11.2"	590/23.2"			GEX7 501			
GE1250 DT4	1250	1250	850	GEX6 8D	GEX6 8B	GEX6 8		285mm	265/10.4"				GEX81 31	GEX81 31
							11.2"	415/16.3"						
								605/23.8"						

① The motorised control unit cannot be installed.

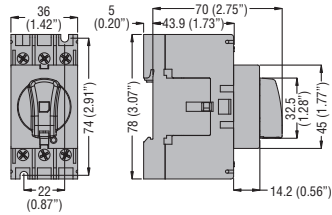
② Connection of four poles in series.

③ Standard supplied with IEC IP20 terminal protection warranted by wired equipment with only maximum conductor section of 95mm². Suitable for mounting on 35mm DIN (IEC/EN 60715) rail, adapters kit is available on page 11-18.

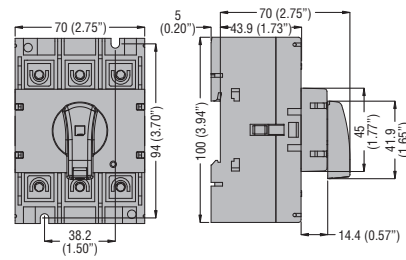
GA SERIES - 16A TO 125A SWITCH DISCONNECTORS

Direct operating version

GA016 A - GA040 A
GA063 SA
GA040 D

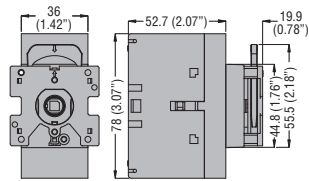


GA063 A - GA125 A
GA080 D - GA125 D

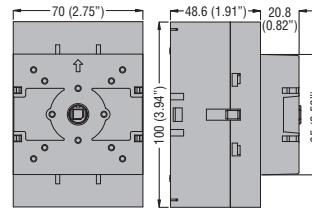


Door mount version

GA016 C - GA040 C



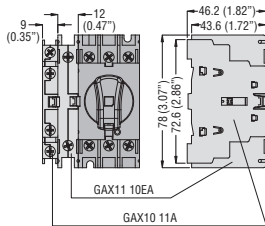
GA063 C - GA125 C



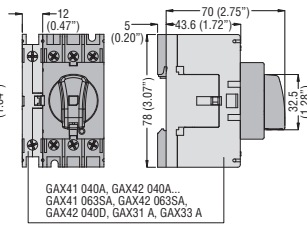
ADD-ON BLOCKS AND ACCESSORIES

For GA016 A-GA040 A, GA063 SA, GA040 D

Auxiliary contacts
GAX10 11A
GAX11 10EA

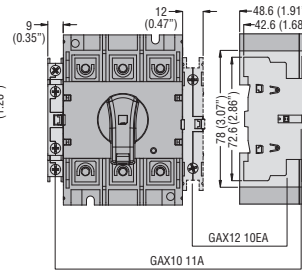


Fourth pole
GAX41 040A - GAX42 040A
GAX41 063SA - GAX42 063SA
GAX42 040D
 Neutral **GAX31 A** -
 earth/ground **GAX33 A** terminals

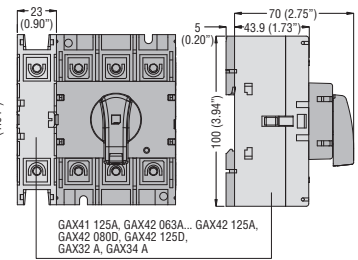


For GA063 A-GA125 A, GA080 D, GA125 D

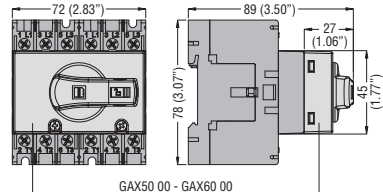
Auxiliary contacts
GAX10 11A
GAX12 10EA



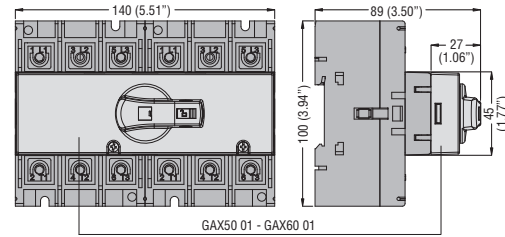
Fourth pole
GAX41 125A
GAX42 063A...GAX42 125A
GAX42 080D...GAX42 125D
 Neutral **GAX32 A** -
 earth/ground **GAX34 A** terminals



Mechanical interlock **GAX50 00** and
 mechanical coupling system **GAX60 00**

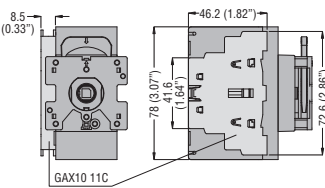


Mechanical interlock **GAX50 01** and
 mechanical coupling system **GAX60 01**

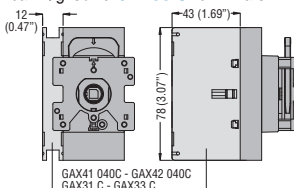


For GA016 C - GA040 C

Auxiliary contacts **GAX10 11C**

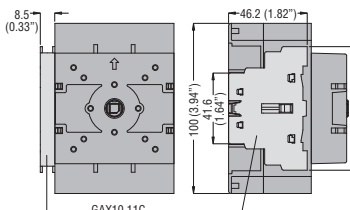


Fourth pole **GAX41 040C - GAX42 040C**
 Neutral **GAX31 C** -
 earth/ground **GAX33 C** terminals

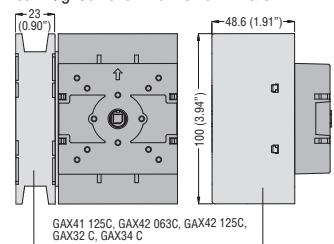


For GA063 C - GA125 C

Auxiliary contacts **GAX10 11C**

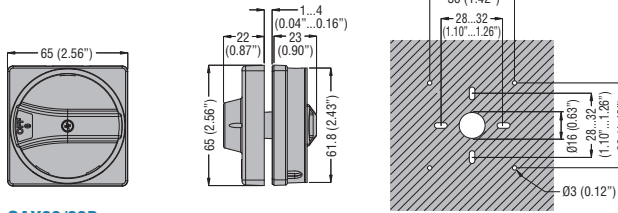


Fourth pole **GAX41 125C - GAX42 063C...GAX42 125C**
 Neutral **GAX32 C** -
 earth/ground **GAX34 C** terminals

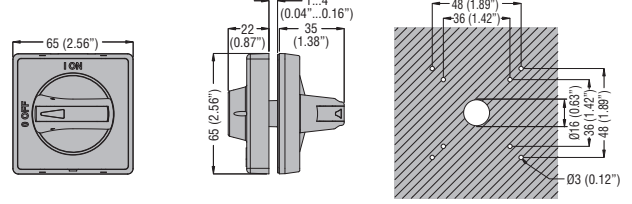


Rotary handles

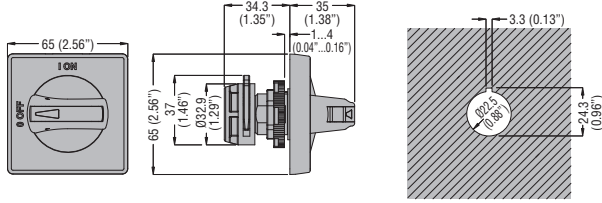
GAX61/61B



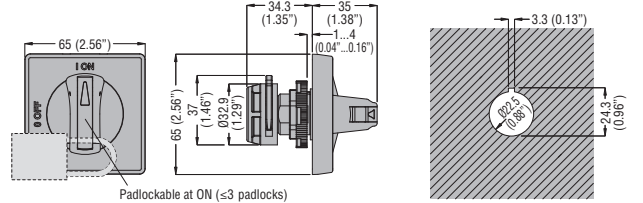
GAX62/62B



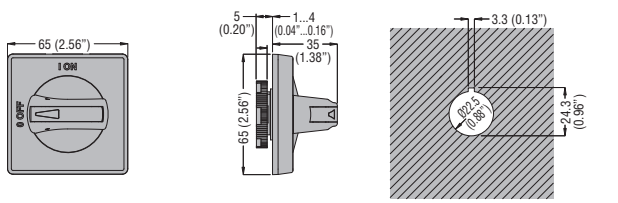
GAX63/63B



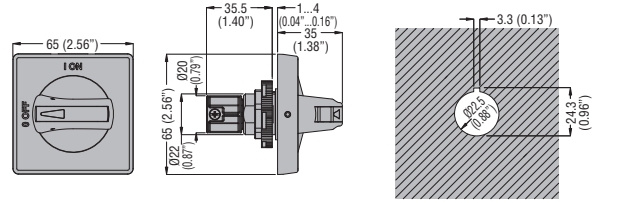
GAX63 1B



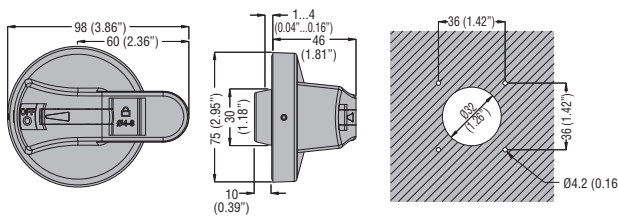
GAX63 2/2B



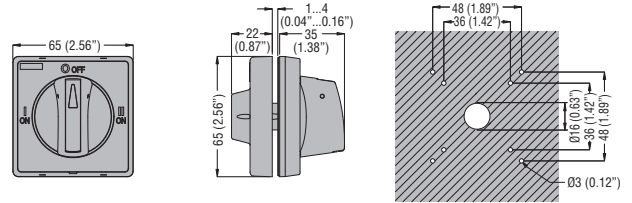
GAX64/64B



GAX66/66B



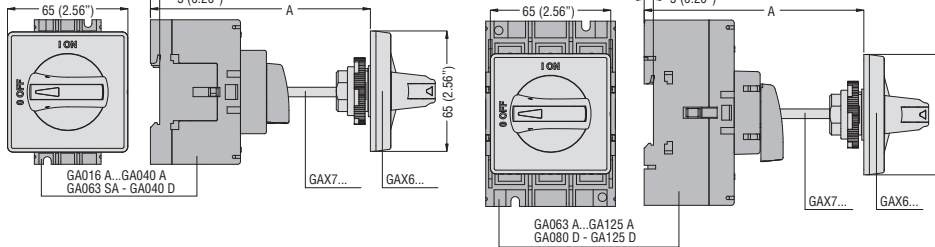
GAX67 B



Padlockable at ON (≤3 padlocks)
per UNI 9490, UNI/EN 12485

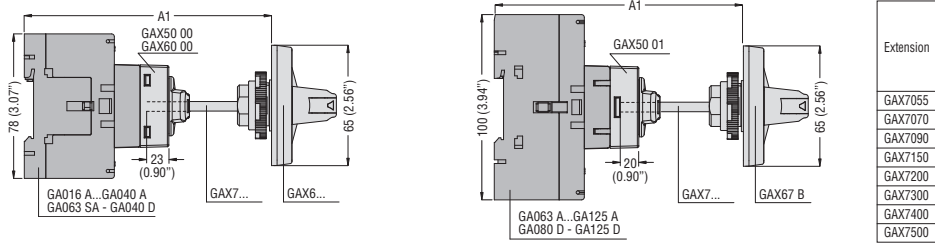
Shaft extensions for door coupling handles

GAX7...



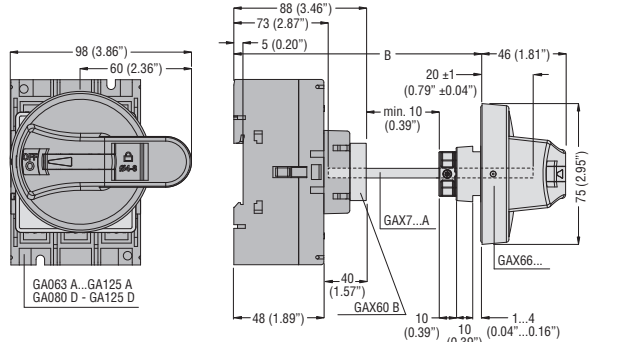
Extension	Length [mm (in)]	A [mm (in)] maximum				
		Type of handle				
		GAX61...	GAX62...	GAX63...	GAX64...	GAX67 B
GAX7055	55 (2.16")	99 (3.90")	97 (3.82")	102 (4.01")	116 (4.57")	97 (3.82")
GAX7070	70 (2.75")	114 (4.49")	112 (4.41")	117 (4.61")	131 (5.16")	112 (4.41")
GAX7090	90 (3.54")	134 (5.27")	132 (5.20")	137 (5.39")	151 (5.94")	132 (5.20")
GAX7150	150 (5.90")	194 (7.64")	192 (7.56")	197 (7.75")	211 (8.31")	192 (7.56")
GAX7200	200 (7.87")	244 (9.61")	242 (9.53")	247 (9.72")	261 (10.27")	242 (9.53")
GAX7300	300 (11.81")	344 (13.54")	342 (13.46")	347 (13.66")	361 (14.21")	342 (13.46")
GAX7400	400 (15.75")	444 (17.48")	442 (17.40")	447 (17.60")	461 (18.15")	442 (17.40")
GAX7500	500 (19.68")	544 (21.42")	542 (21.34")	547 (21.53")	561 (22.09")	542 (21.34")

GAX7... used with GAX50 00, GAX50 01 and GAX60 00

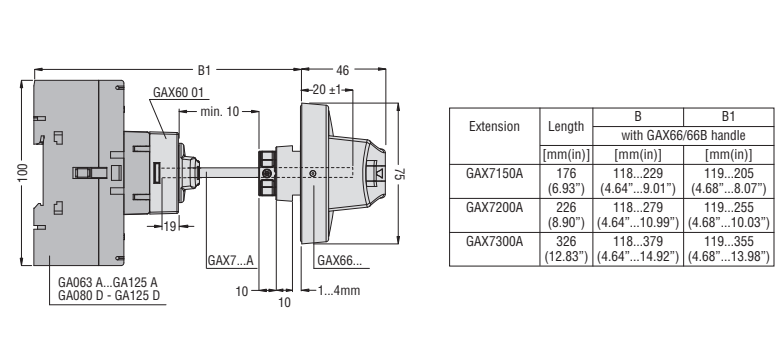


Extension	Length [mm(in)]	A1 [mm (in)] maximum				
		Used with GAX60 00		Used with GAX50 00/GAX50 01		
		GAX61...	GAX62...	GAX63...	GAX64...	GAX67 B
GAX7055	55 (2.16")	116 (4.57")	114 (4.49")	119 (4.68")	133 (5.24")	114 (4.49")
GAX7070	70 (2.75")	131 (5.16")	129 (5.08")	134 (5.27")	148 (5.83")	129 (5.08")
GAX7090	90 (3.54")	151 (5.94")	149 (5.87")	154 (6.06")	168 (6.61")	149 (5.87")
GAX7150	150 (5.90")	211 (8.31")	209 (8.23")	214 (8.42")	228 (8.98")	209 (8.23")
GAX7200	200 (7.87")	261 (10.27")	259 (10.20")	264 (10.39")	278 (10.94")	259 (10.20")
GAX7300	300 (11.81")	361 (14.21")	359 (14.13")	364 (14.33")	378 (14.88")	359 (14.13")
GAX7400	400 (15.75")	461 (18.15")	459 (18.07")	464 (18.27")	468 (18.42")	459 (18.07")
GAX7500	500 (19.68")	561 (22.09")	559 (22.01")	564 (22.20")	578 (22.75")	559 (22.01")

GAX7...A used with GAX60 B and GAX66/66B



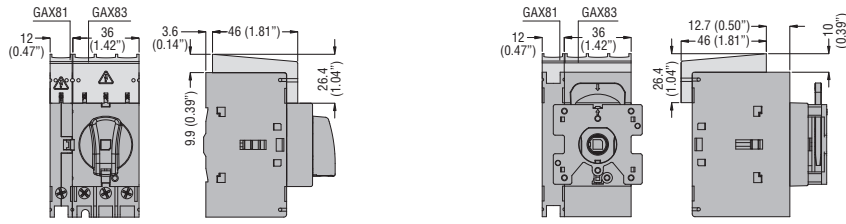
GAX7...A used with GAX60 01 and GAX66/66B handle



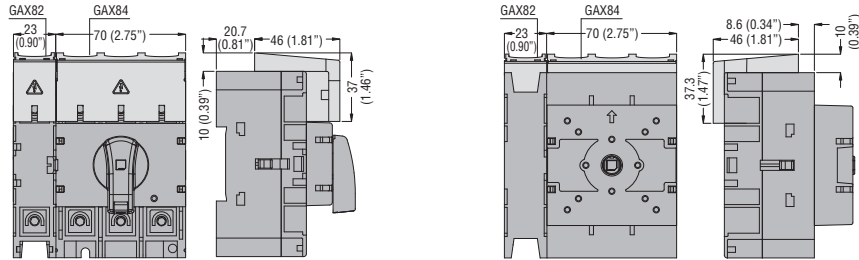
Extension	Length [mm(in)]	B [mm(in)]	
		with GAX66/66B handle	B1
GAX7150A	176 (6.93")	118...229 (4.64"...9.01")	119...205 (4.68"...8.07")
GAX7200A	226 (8.90")	118...279 (4.64"...10.99")	119...255 (4.68"...10.03")
GAX7300A	326 (12.83")	118...379 (4.64"...14.92")	119...355 (4.68"...13.98")

Terminal covers

GAX81 - GAX83

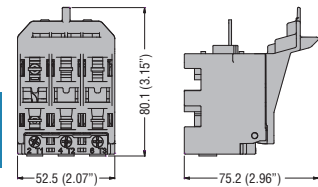


GAX82 - GAX84



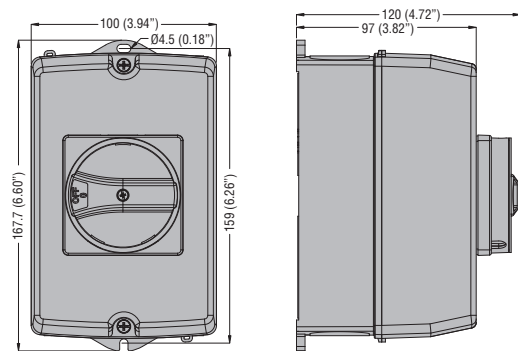
Fuse holder

GAX39 1 - GAX39 1UL

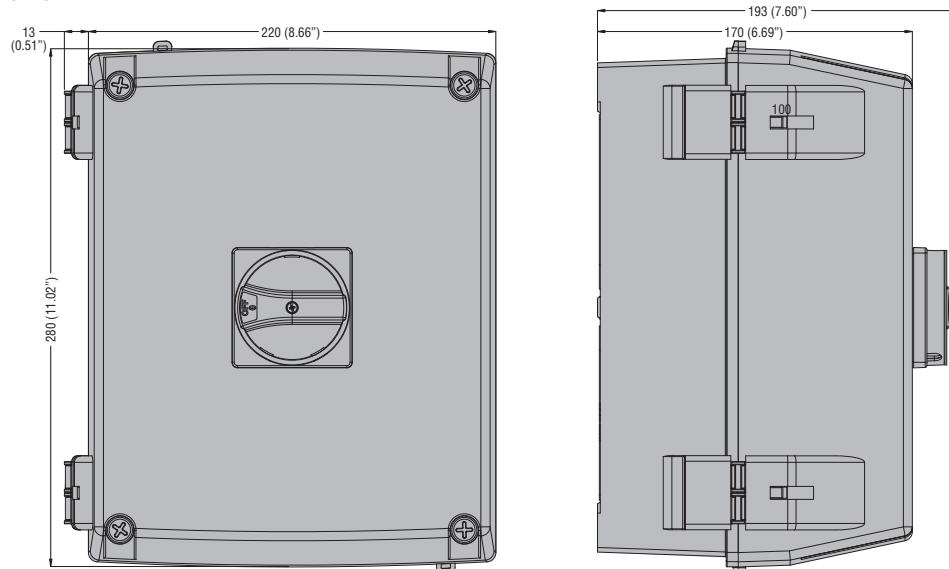


SWITCH DISCONNECTORS ENCLOSED AND EMPTY ENCLOSURES

GAZ016... - GAZ040... GAZ1...

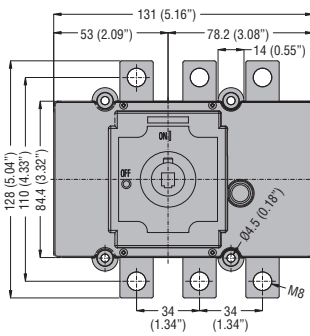


GAZ063... - GAZ125... GAZ3...

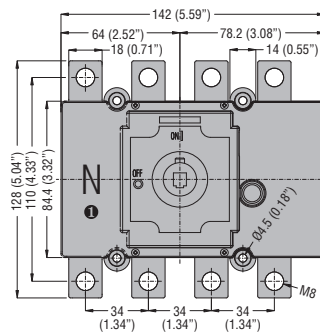


GE SERIES - 160A TO 1600A SWITCH DISCONNECTORS

GE0160

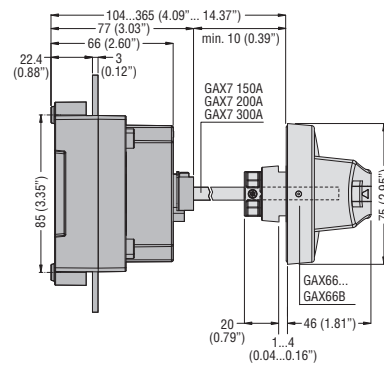


GE0160 T4 - GE0160 DT4

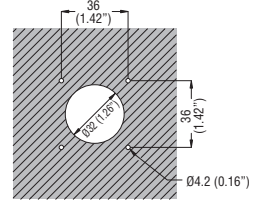


ⓘ Not indicated on GE0160 DT4 type.

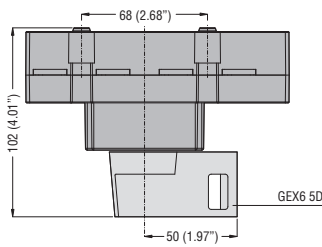
Door coupling version with handle GAX66 - GAX66 B



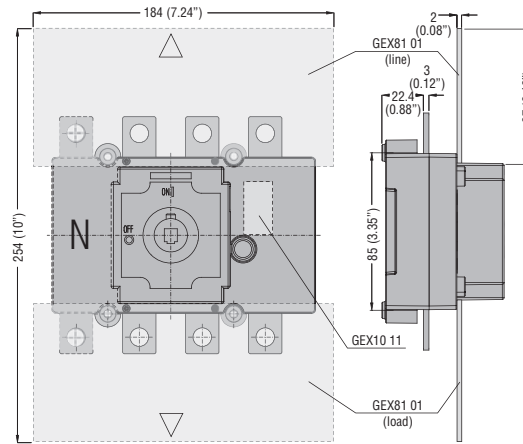
Drilling



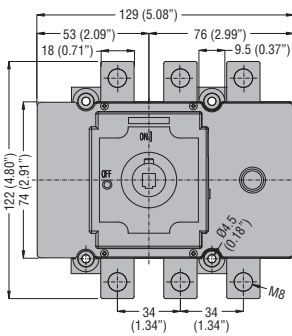
Direct operating version with handle GEX6 5D



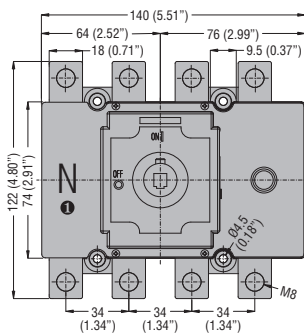
With terminal cover and auxiliary contact



GE0160 P

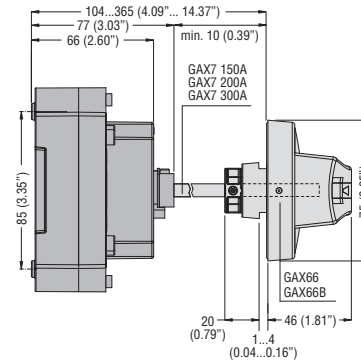


GE0160 T4P - GE0160 DT4P

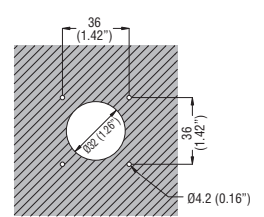


ⓘ Not indicated on GE0160 DTP4 type.

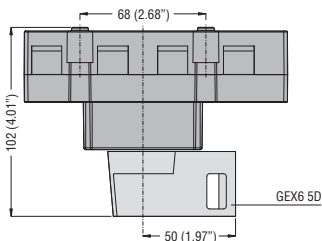
Door coupling version with handle GAX66 - GAX66 B



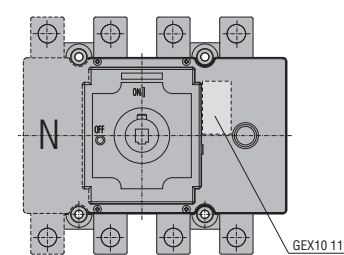
Drilling



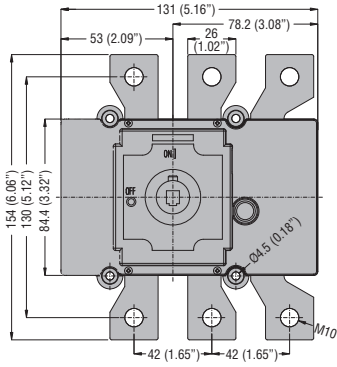
Direct operating version with handle GEX6 5D



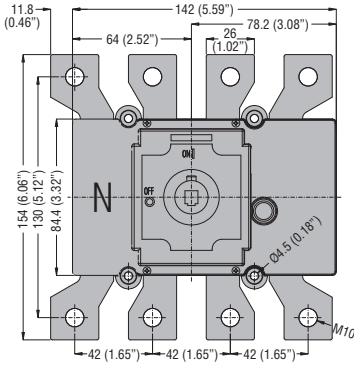
With auxiliary contact



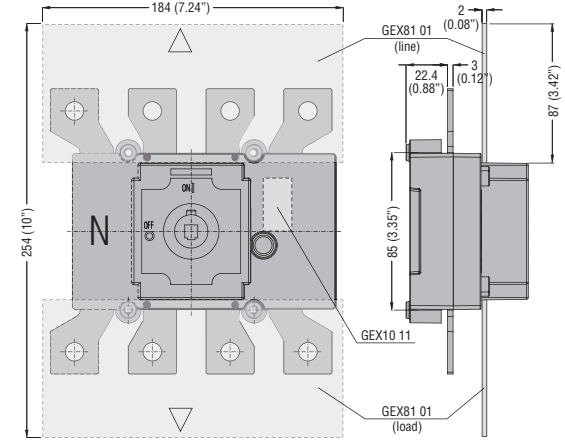
GE0200 - GE0250



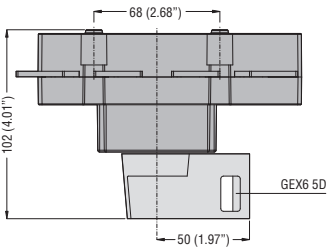
GE0200 T4 - GE0250 T4



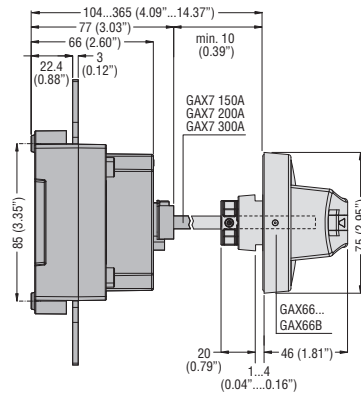
With terminal cover and auxiliary contact



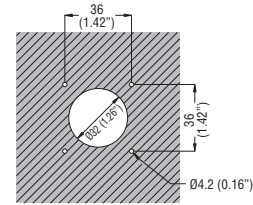
Direct operating version with handle GEX6 5D



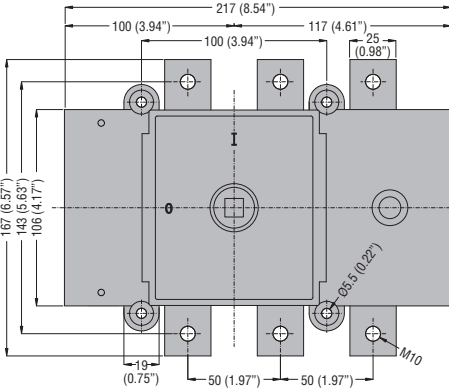
Door coupling version with handle GAX66 - GAX66 B



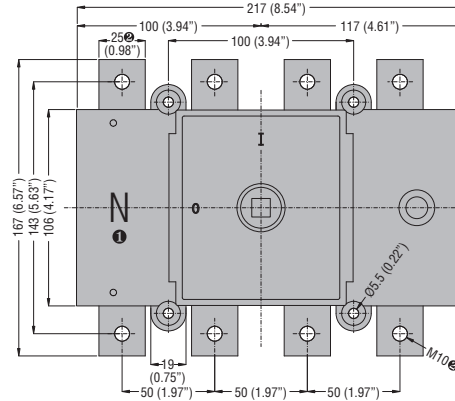
Drilling



GE0251 - GE0315 - GE0400

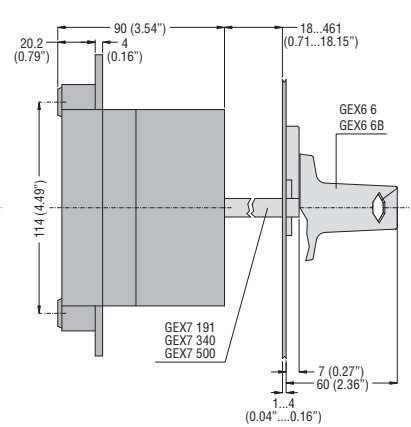


GE0125 DT4 - GE0250 DT4 - GE0315 DT4 GE0251 T4 - GE0315 T4 - GE0400 T4

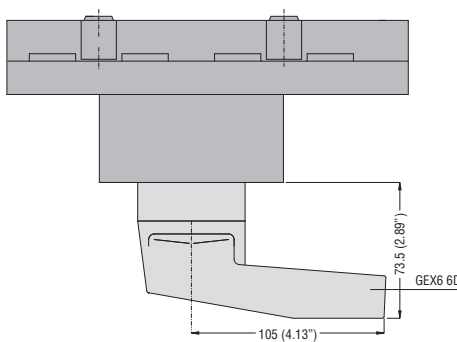


- ❶ Not indicated on GE... DT4 type.
- ❷ 20mm (0.79") and M8 for GE0125 DT4 type.

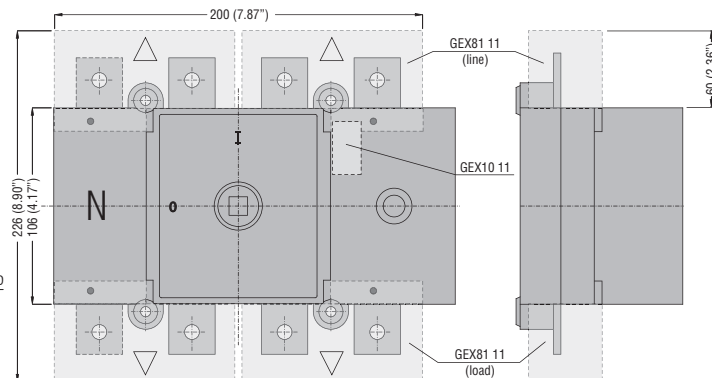
Door coupling version with handle GEX6 6 - GEX6 6B



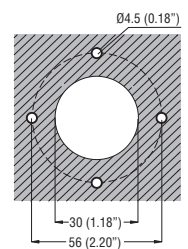
Direct operating version with handle GEX6 6D



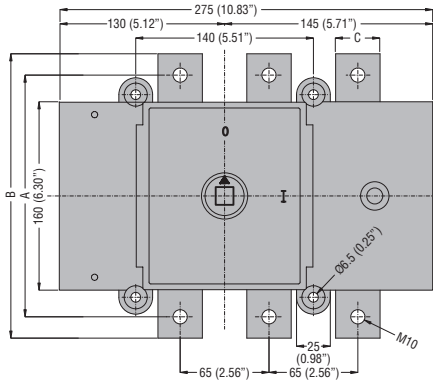
With terminal covers and auxiliary contact



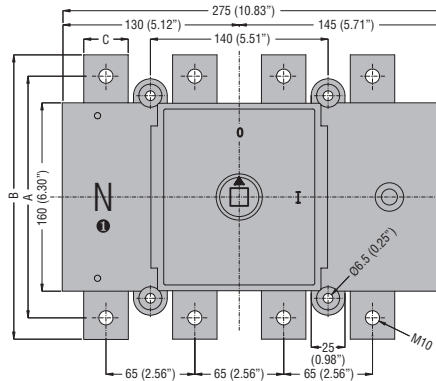
Drilling



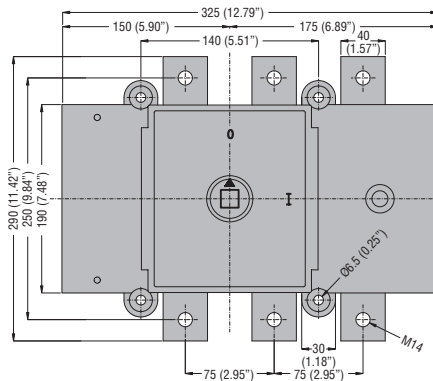
GE0500 - GE0630 - GE0800



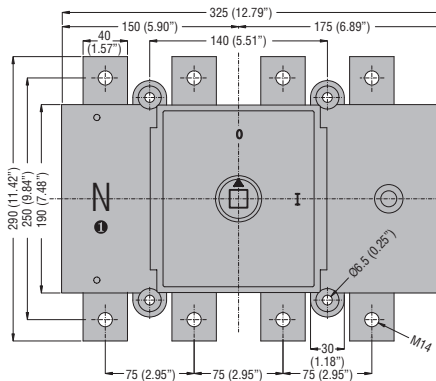
GE0500 T4 - GE0630 T4 - GE0800 T4 GE0630 DT4 - GE0800 DT4



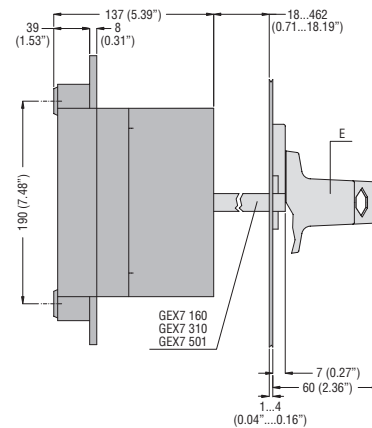
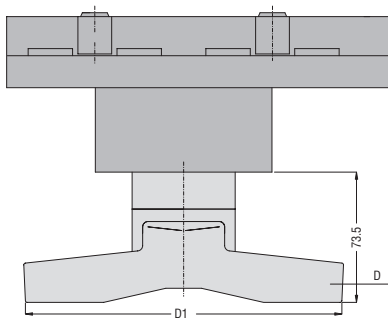
GE1000 - GE1250



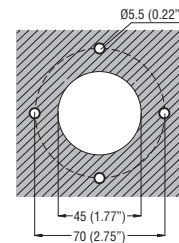
GE1000 T4 - GE1250 T4 GE1250 DT4



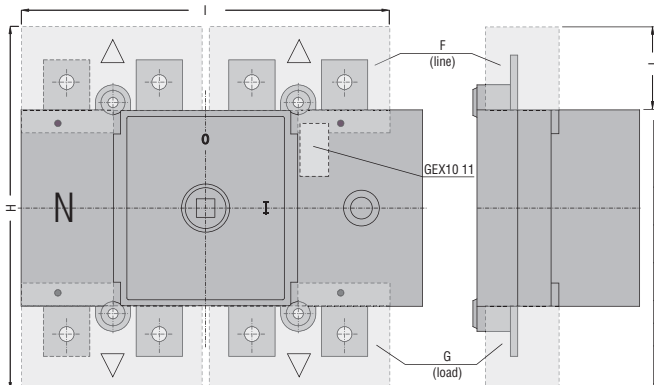
For GE0500 - GE0630 - GE0800 - GE1000 - GE1250 - GE0500 T4 - GE0630 DT4 - GE0630 T4 - GE0800 DT4 - GE0800 TE - GE1000 T4 - GE1250 DT4 - GE1250 T4
Direct operating version with handle GEX6 7D - GEX6 8D
Door coupling version with handle GEX6 7 - GEX6 7B / GEX6 8 - GEX6 8B



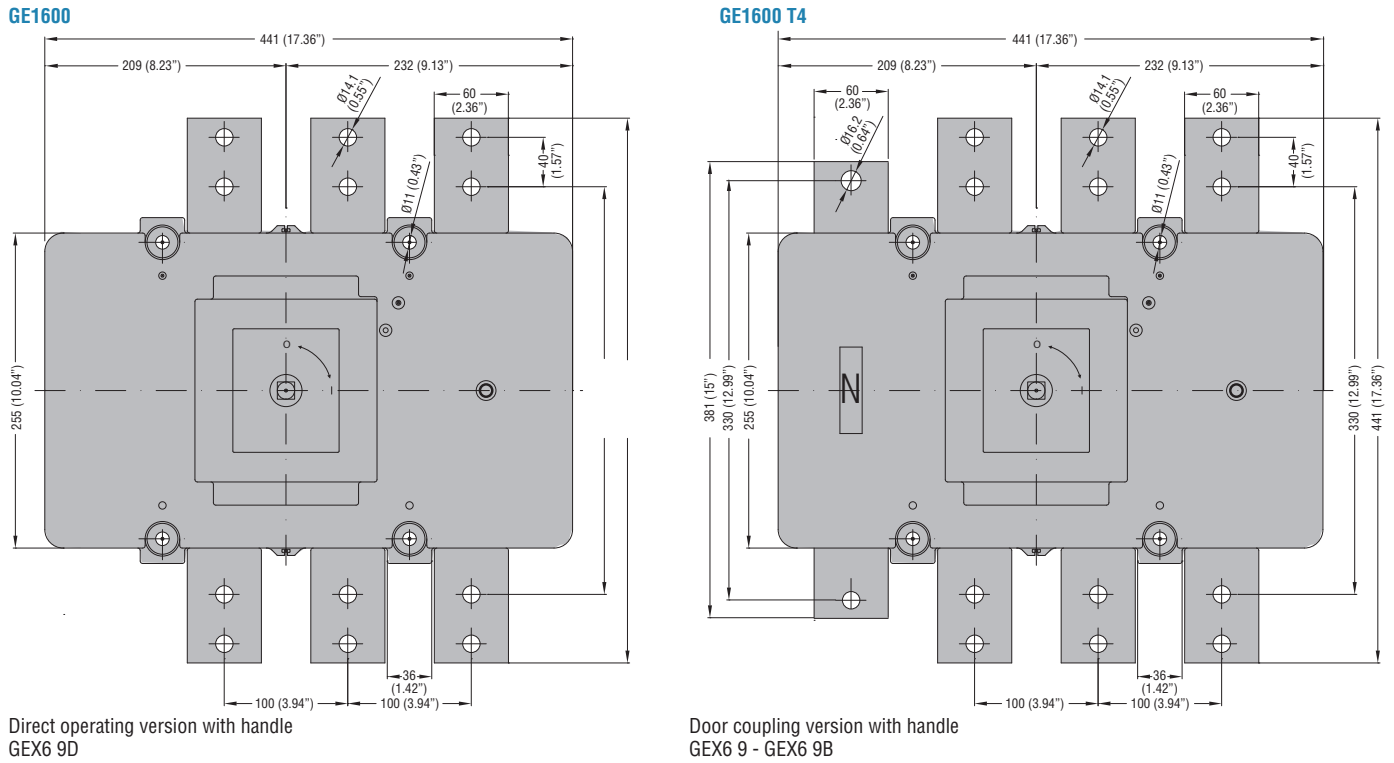
Drilling



With terminal covers and auxiliary contact

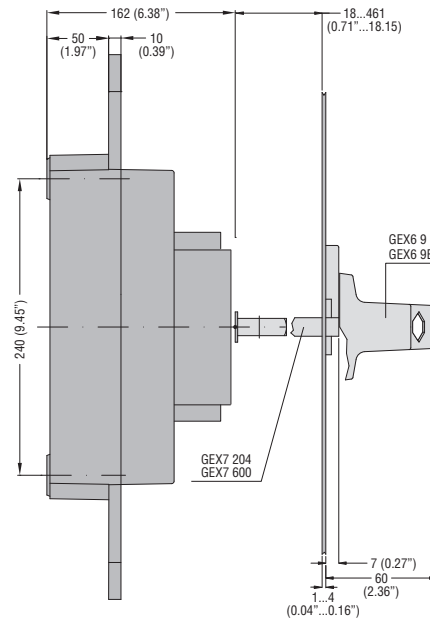
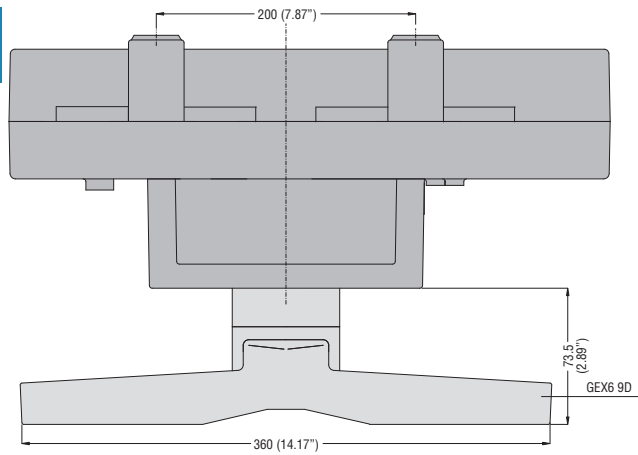


Type	A	B	C	D (Handle)	D1	E (Handle)	Terminal covers (N° of pcs/set)		H	I	J
							F (line)	G (load)			
GE0500	190 (7.48)	220 (8.66)	25 (0.98)	GEX6 7D	245 (9.64)	GEX6 7 GEX6 7B	GEX81 21 (2)	GEX81 21 (2)	290 (11.42)	200 (7.87)	65 (2.56)
GE0630	205 (8.07)	235 (9.25)	30 (1.18)								
GE0800	205 (8.07)	235 (9.25)	30 (1.18)								
GE1000	-	-	-	GEX6 8D	285 (11.22)	GEX6 8 GEX6 8B	GEX81 31 (2)	GEX81 31 (2)	340 (13.38)	300 (11.81)	75 (2.95)
GE1250	-	-	-								
GE0500 T4	190 (7.48)	220 (8.66)	25 (0.98)	GEX6 7D	265 (10.43)	GEX6 7 GEX6 7B	GEX81 21 (2)	GEX81 21 (2)	290 (11.42)	200 (7.87)	65 (2.56)
GE0630 DT4	205 (8.07)	235 (9.25)	30 (1.18)								
GE0630 T4	205 (8.07)	235 (9.25)	30 (1.18)								
GE0800 DT4	205 (8.07)	235 (9.25)	30 (1.18)	GEX6 8D	285 (11.22)	GEX6 8 GEX6 8B	GEX81 31 (2)	GEX81 31 (2)	340 (13.38)	300 (11.81)	75 (2.95)
GE0800 T4	205 (8.07)	235 (9.25)	30 (1.18)								
GE1000 T4	-	-	-	GEX6 8D	285 (11.22)	GEX6 8 GEX6 8B	GEX81 31 (2)	GEX81 31 (2)	340 (13.38)	300 (11.81)	75 (2.95)
GE1250 DT4	-	-	-								
GE1250 T4	-	-	-								

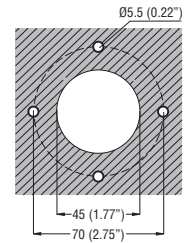


Direct operating version with handle
GEX6 9D

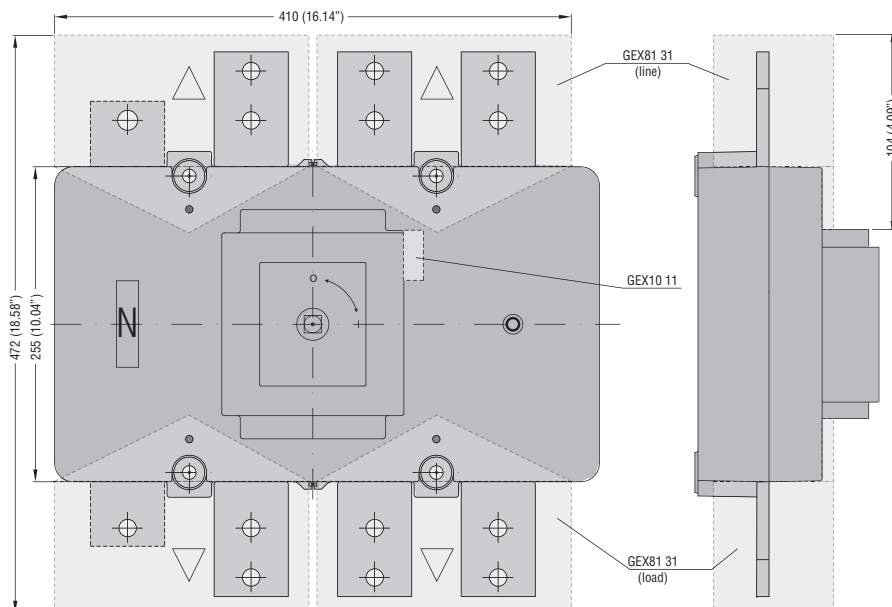
Door coupling version with handle
GEX6 9 - GEX6 9B



Drilling

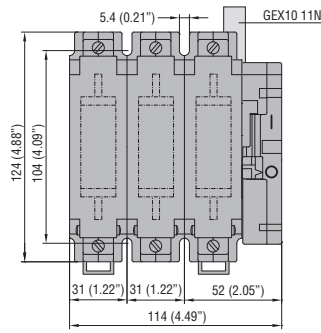


With terminal covers and auxiliary contact

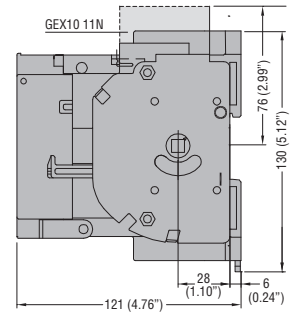
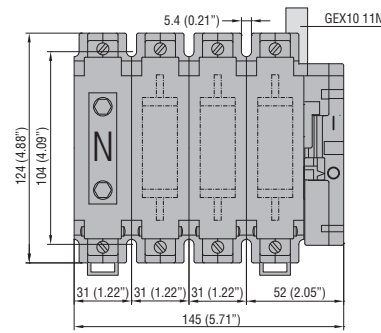


GE SERIES - 50A TO 800A SWITCH DISCONNECTORS WITH FUSE HOLDER

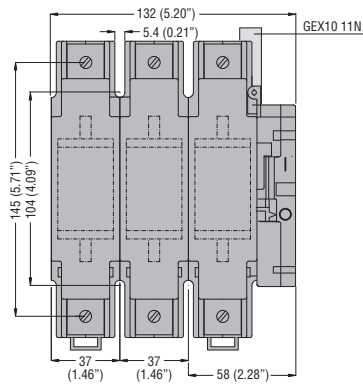
GE0050 F with auxiliary contact



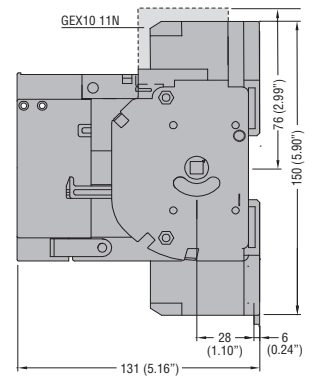
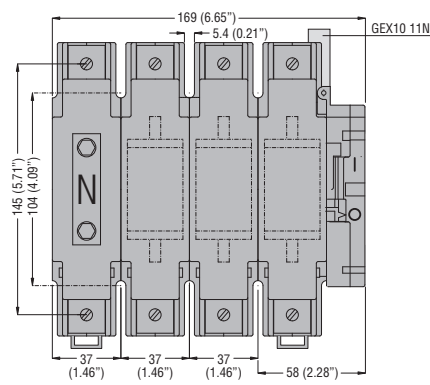
GE0050 FT4 with auxiliary contact



GE125 F with auxiliary contact

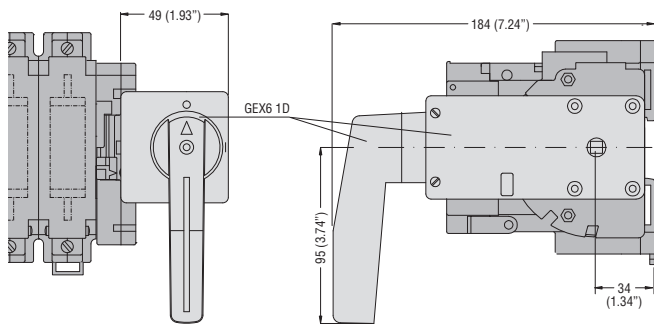


GE125 FT4 with auxiliary contact



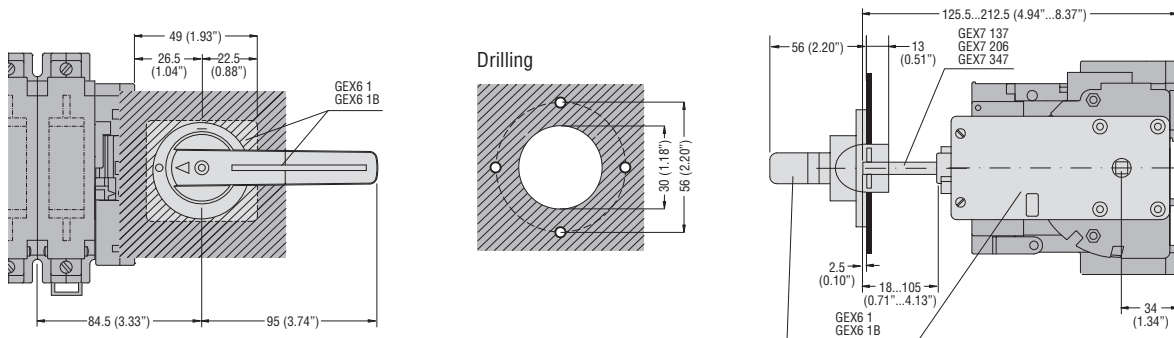
For GE0050 F - GE0050 FT4 - GE125 F - GE125 FT4

Direct operating version with handle GEX6 1D

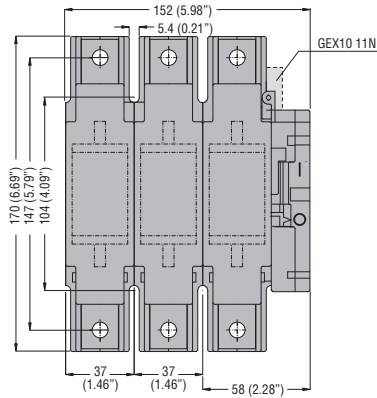


For GE0050 F - GE0050 FT4 - GE125 F - GE125 FT4

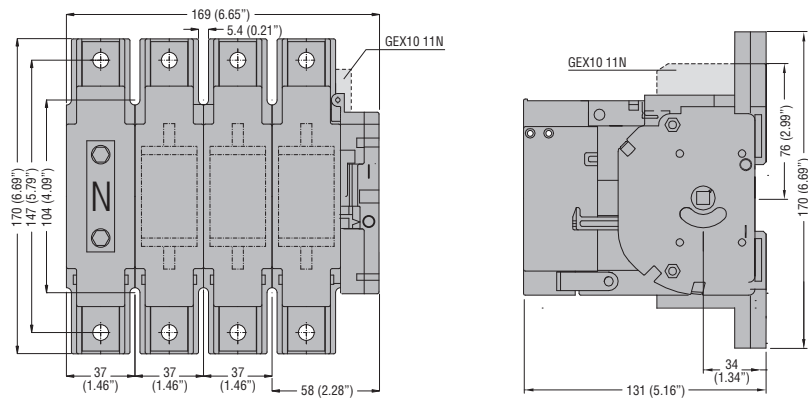
Door coupling version with handle GEX6 1 - GEX6 1B



GE0160 N with auxiliary contact

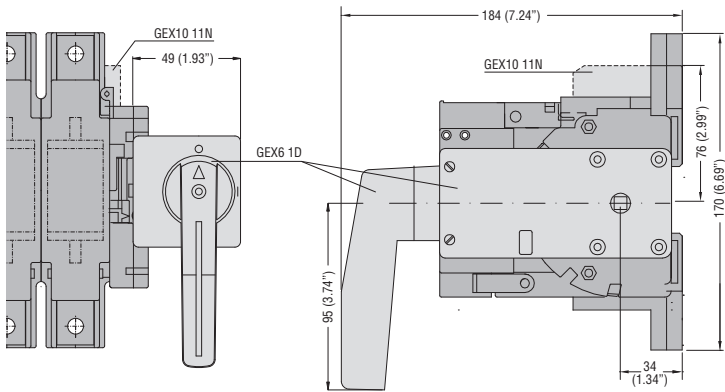


GE0160 NT4 with auxiliary contact



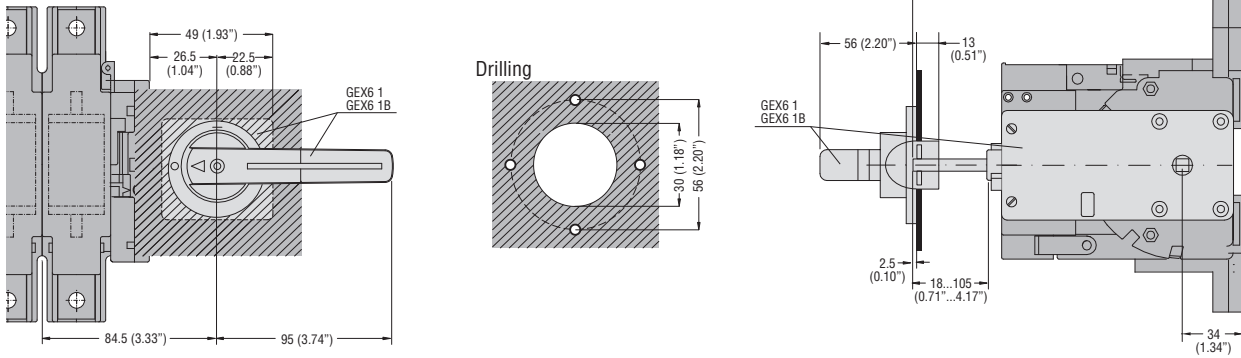
For GE0160 N - GE0160 NT4

Direct operating version with handle GEX6 1D



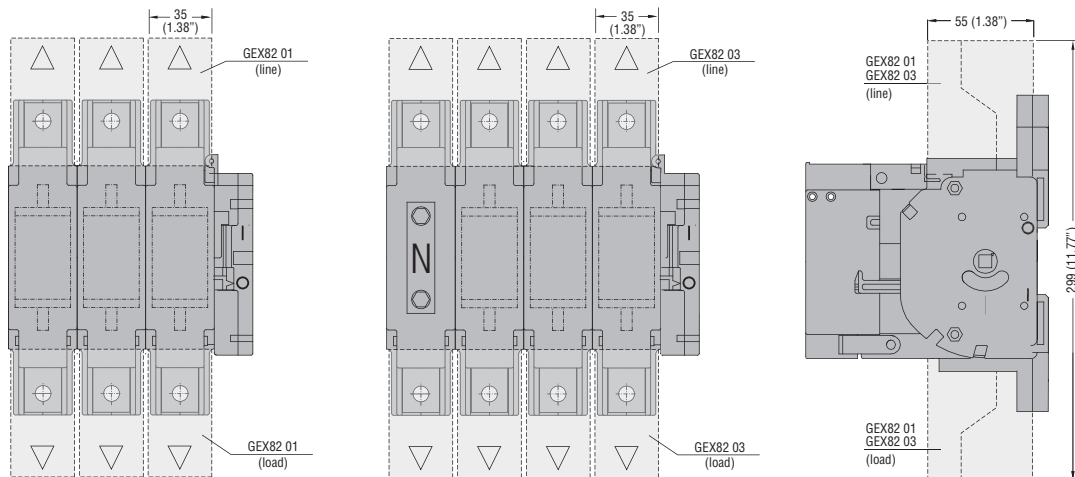
For GE0160 N - GE0160 NT4

Door coupling version with handle GEX6 1 - GEX6 1B



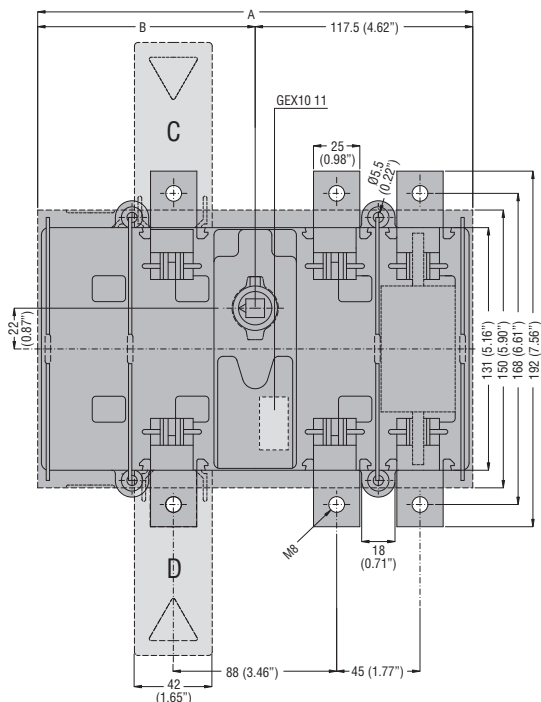
Terminal covers GEX82 01 for GE0160 N

Terminal covers GEX82 03 for GE0160 NT4



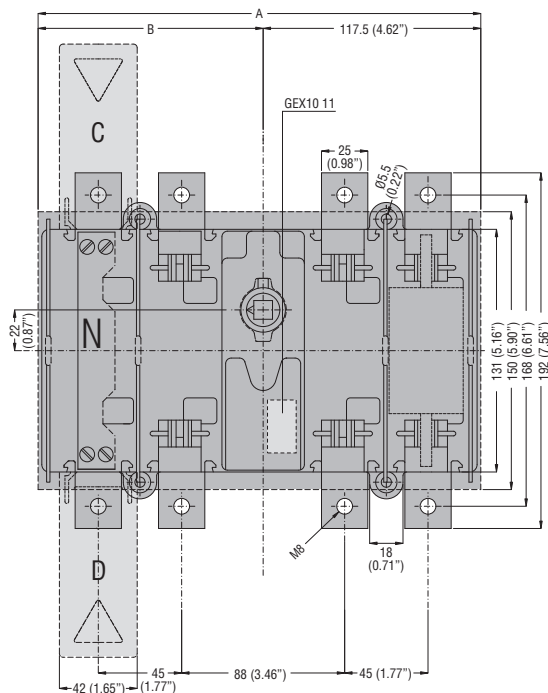
GE0161 N - GE0160 B - GE0200 B - GE0250 B

with terminal covers and auxiliary contact



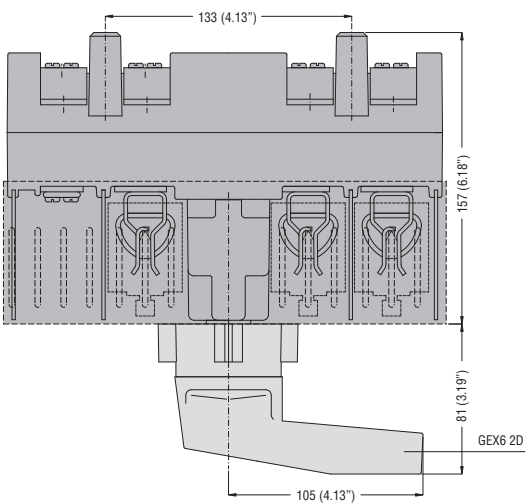
GE0161 NT4 - GE0160 BT4 - GE0200 BT4 - GE0250 BT4

with terminal covers and auxiliary contact

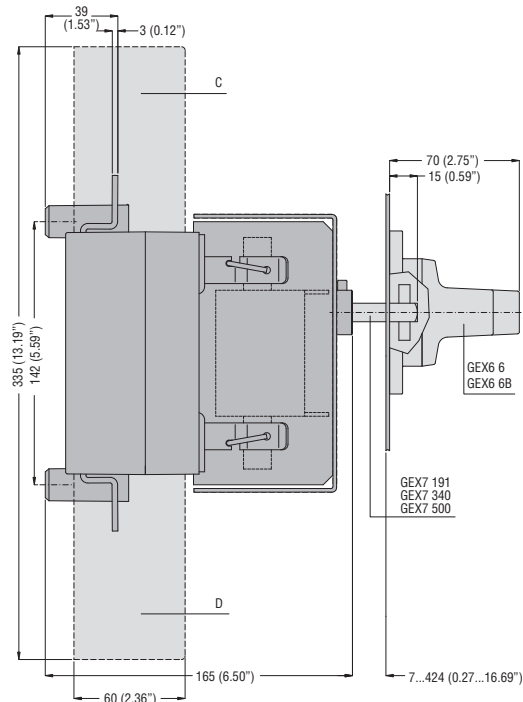


For GE0161 N - GE0160 B - GE0200 B - GE0250 B - GE0161 NT4 - GE0160 BT4 - GE0200 BT4 - GE0350 BT4

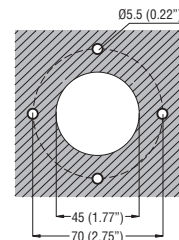
Direct operating version with handle GEX6 2D



Door coupling version with handle GEX6 6 - GEX6 6B and terminal covers



Drilling



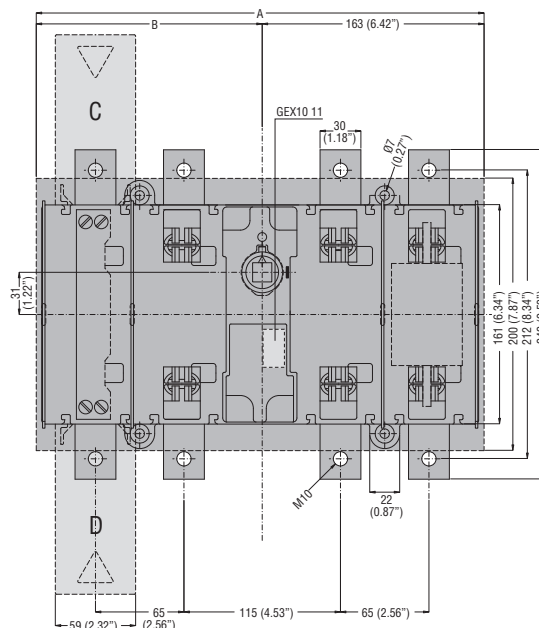
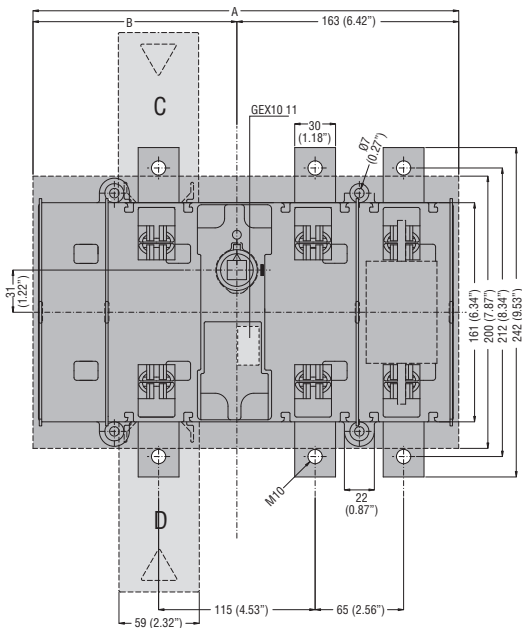
TYPE	A	B	C (line) (N° of pcs/set)	D (load) (N° of pcs/set)
GE0161 N - GE0160 B	200 (7.87")	82.5 (3.25")	GEX82 11 (3)	GEX82 12 (3)
GE0161 NT4 - GE0160 BT4	239 (9.41")	121.5 (4.78")	GEX82 13 (4)	GEX82 13 (4)
GE0200 B - GE0250 B	200 (7.87")	82.5 (3.25")	GEX82 11 (3)	GEX82 12 (3)
GE0200 BT4 - GE0250 BT4	239 (9.41")	121.5 (4.78")	GEX82 13 (4)	GEX82 13 (4)

GE0250 N - GE0400 N - GE0315 B - GE0400 B

with terminal covers and auxiliary contact

GE0250 NT4 - GE0400 NT4 - GE0315 BT4 - GE0400 BT4

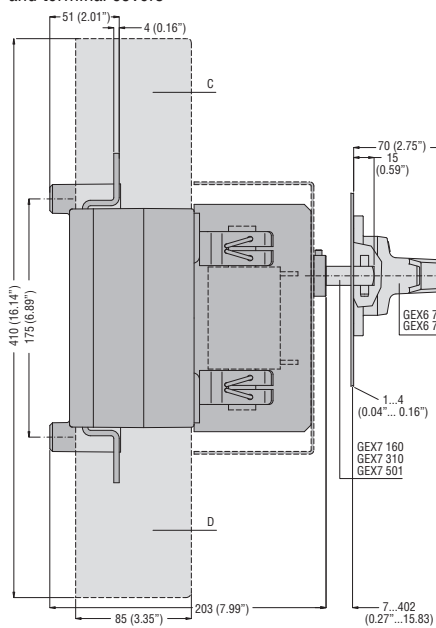
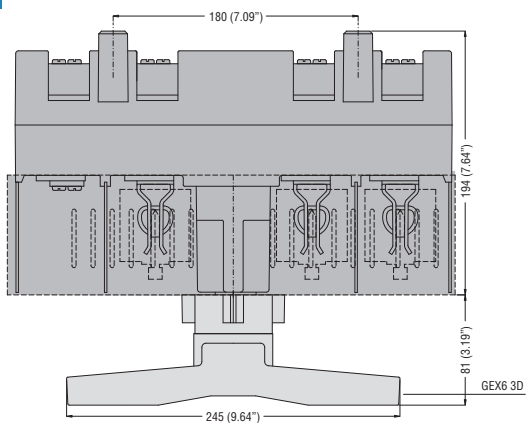
with terminal covers and auxiliary contacts



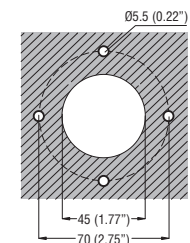
For GE0250 N - GE0400 N - GE0315 B - GE0400 B - GE0250 NT4 - GE0400 NT4 - GE0315 BT4 - GE0400 BT4

Direct operating version with handle GEX6 3D

Door coupling version with handle GEX6 7 - GEX6 7B and terminal covers

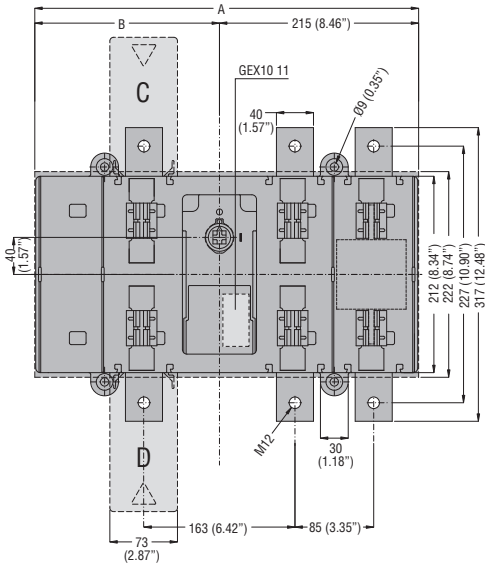


Drilling

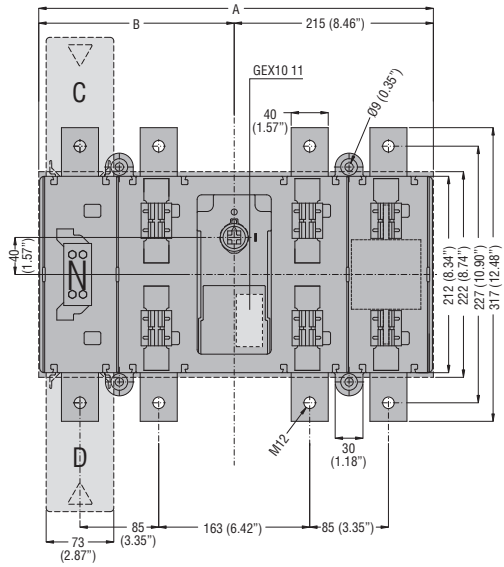


TYPE	A	B	C (line) (N° of pcs/set)	D (load) (N° of pcs/set)
GE0250 N	274 (10.79")	111 (4.37")	GEX82 21 (3)	GEX82 22 (3)
GE0250 NT4	329 (12.95")	166 (6.53")	GEX82 23 (4)	GEX82 23 (4)
GE0400 N	274 (10.79")	111 (4.37")	GEX82 21 (3)	GEX82 22 (3)
GE0400 NT4	329 (12.95")	166 (6.53")	GEX82 23 (4)	GEX82 23 (4)
GE0315 B	274 (10.79")	111 (4.37")	GEX82 21 (3)	GEX82 22 (3)
GE0315 BT4	329 (12.95")	166 (6.53")	GEX82 23 (4)	GEX82 23 (4)
GE0400 B	274 (10.79")	111 (4.37")	GEX82 21 (3)	GEX82 22 (3)
GE0400 BT4	329 (12.95")	166 (6.53")	GEX82 23 (4)	GEX82 23 (4)

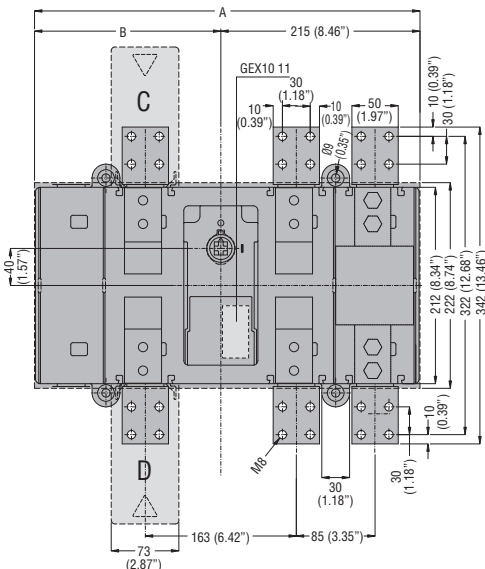
GE0630 N - GE0630 B
with terminal covers and auxiliary contact



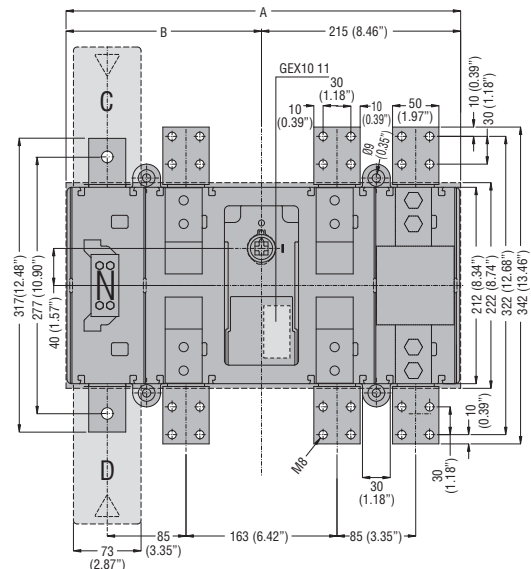
GE0630 NT4 - GE0630 BT4
with terminal covers and auxiliary contact



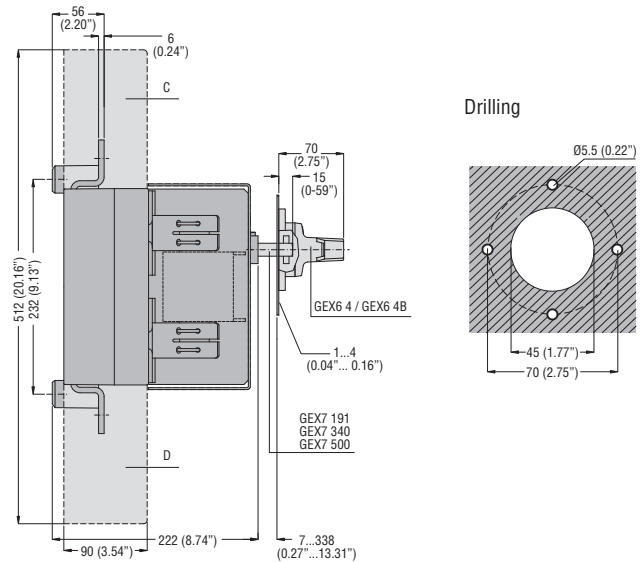
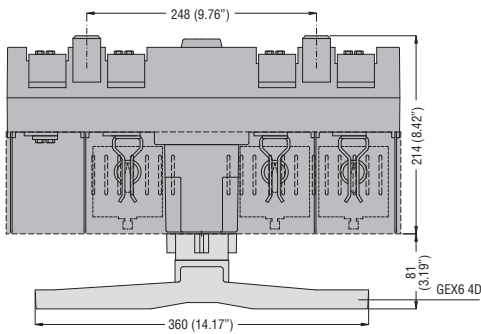
GE0800 N - GE0800 B
with terminal covers and auxiliary contact



GE0800 NT4 - GE0800 BT4
with terminal covers and auxiliary contact



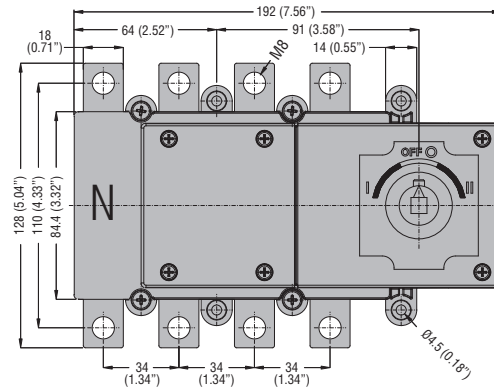
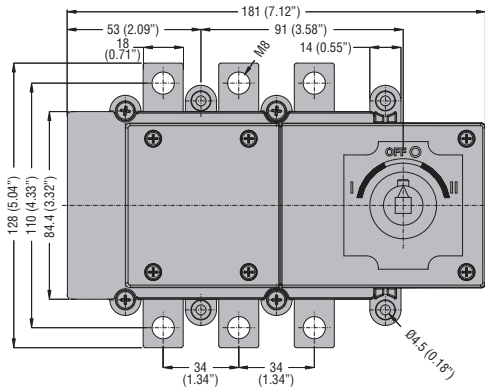
For GE0630 N - GE0630 B - GE0630 NT4 - GE0630 BT4 - GE0800 N - GE0800 B - GE0800 NT4 - GE0800 BT4
Direct operating version with handle GEX6 4D
Door coupling handle GEX6 4 - GEX6 4B
and terminal covers



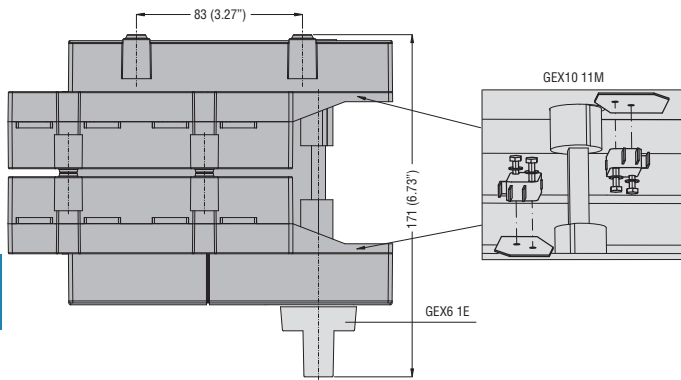
TYPE	A	B	C (line) (N° of pcs/set)	D (load) (N° of pcs/set)
GE0630 N - GE0630 B	381 (15")	166 (6.53")	GEX82 31 (3)	GEX82 32 (3)
GE0630 NT4 - GE0630 BT4	426 (16.77")	211 (8.31")	GEX82 33 (4)	GEX82 33 (4)
GE0800 N - GE0800 B	381 (15")	166 (6.53")	GEX82 31 (3)	GEX82 32 (3)
GE0800 NT4 - GE0800 BT4	426 (16.77")	211 (8.31")	GEX82 33 (4)	GEX82 33 (4)

GE SERIES - 160A TO 1600A CHANGEOVER SWITCHES GE0160 E

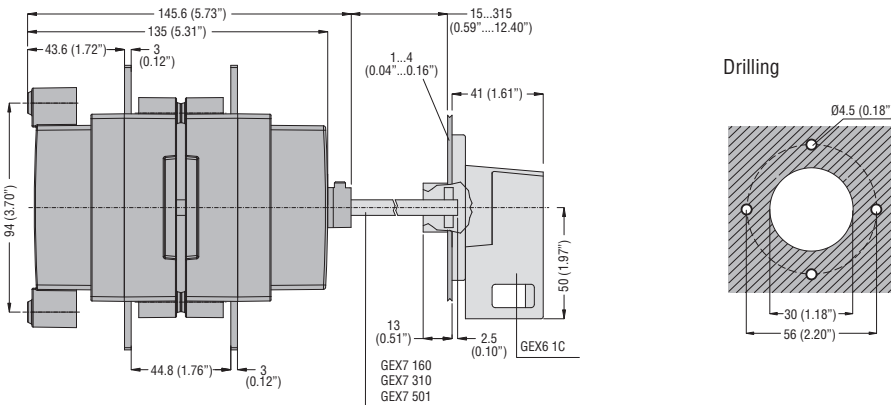
GE0160 ET4



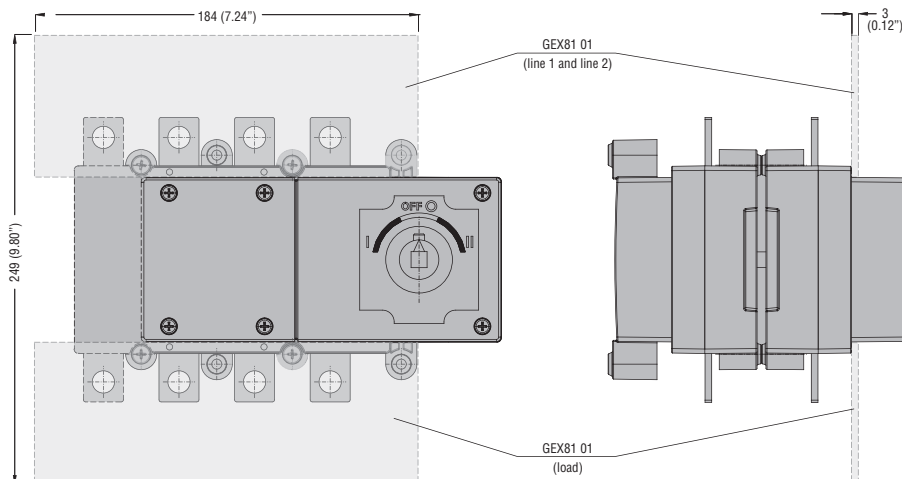
Direct operating version with handle GEX6 1E and auxiliary contacts



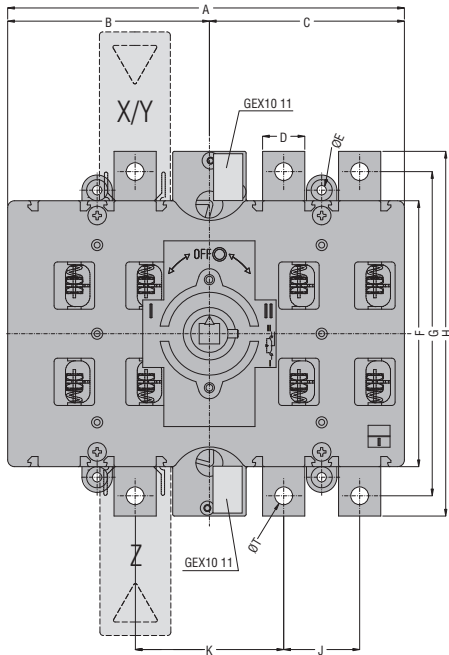
Door coupling version with handle GEX6 1C



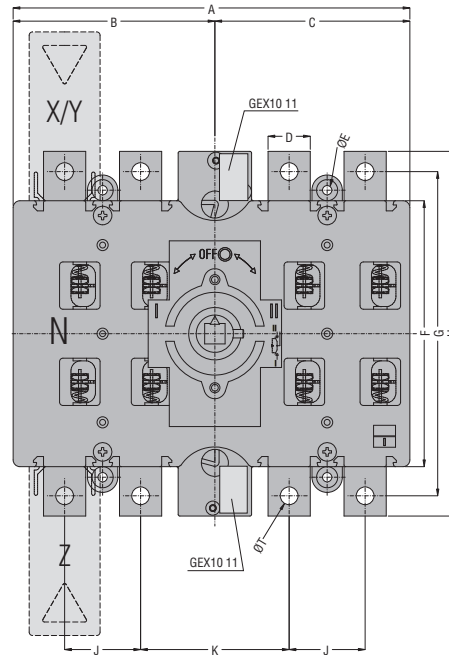
Terminal covers



GE0201 E - GE0250 E - GE0315 E - GE0400 E -
GE0500 E - GE0630 E - GE0800 E - GE1000 E - GE1250 E
with terminal covers and auxiliary contacts



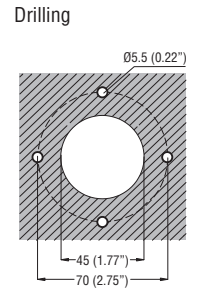
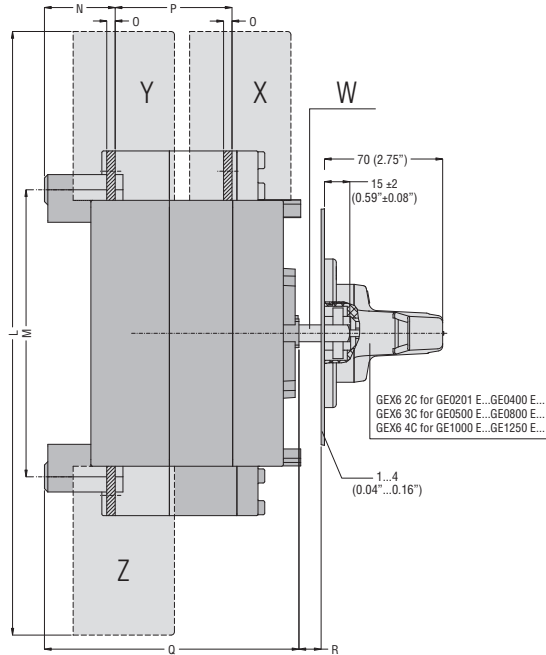
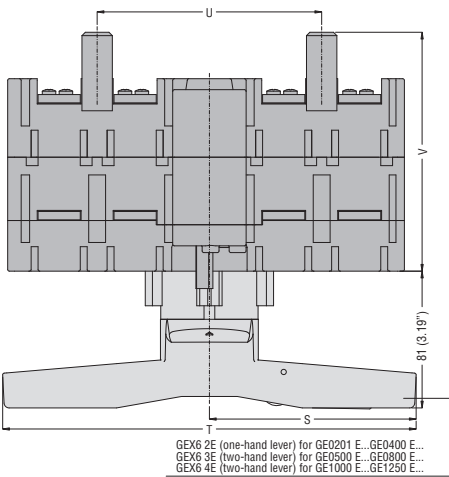
GE0201 ET4 - GE0250 ET4 - GE0315 ET4 - GE0400 ET4 -
GE0500 ET4 - GE0630 ET4 - GE0800 ET4 - GE1000 ET4 - GE1250 ET4
with terminal covers and auxiliary contacts



For GE0201 E - GE0250 E - GE0315 E - GE0400 E - GE0201 ET4 - GE0250 ET4 - GE0315 ET4 - GE0400 ET4
GE0500 E - GE0630 E - GE0800 E - GE1000 E - GE1250 E - GE0500 ET4 - GE0630 ET4 - GE0800 ET4 - GE1000 ET4 - GE1250 ET4

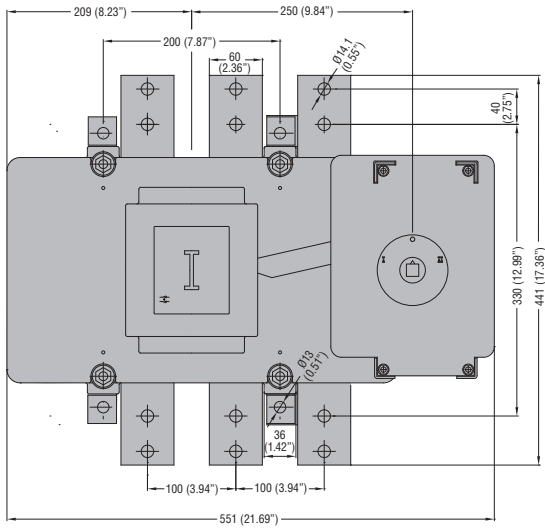
Direct operating version with handle

Door coupling version with handle

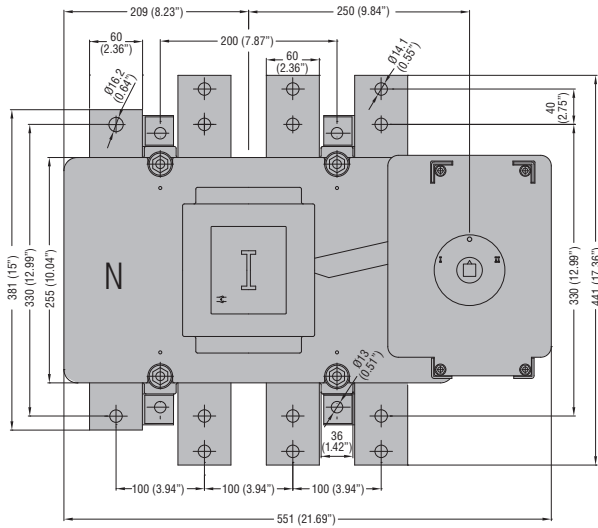


TYPE	A	B	C	D	ØE	F	G	H	J	K	L	M	N	O	P	Q	R		S	T	Ø T	U	V	Shaft extension W	Terminal covers (N° of pcs/set)		
																	Min	Max							X (line 1)	Y (line 2)	Z (load)
GE0201 E GE0250 E GE0315 E GE0400 E	235 (9.25")	119.5 (4.70")	115.5 (4.55")	25 (0.98")	5.5 (0.22")	157 (6.18")	192 (7.56")	216 (8.50")	45 (1.77")	88 (3.46")	357 (14.05")	170 (6.69")	42 (1.65")	3 (0.12")	67 (2.64")	151 (5.94")	7 (0.27")	420 (16.53")	105 (4.13")	—	M10	133 (5.24")	142 (5.59")	GEX7 191 GEX7 340 GEX7 500	GEX82 12 (3)	GEX82 11 (3)	GEX83 12 (3)
GE0201 ET4 GE0250 ET4 GE0315 ET4 GE0400 ET4																									GEX82 13 (4)	GEX82 13 (4)	GEX83 12 (4)
GE0500 E GE0630 E GE0800 E	321 (12.63")	162 (6.38")	159 (6.26")	40 (1.57")	7 (0.27")	232 (9.13")	282 (11.10")	312 (12.28")	65 (2.56")	121 (4.73")	482 (18.98")	247 (9.72")	46 (1.81")	5 (0.20")	87 (3.42")	180 (7.09")	7 (0.27")	400 (15.74")	—	245 (9.64")	M12	186 (7.32")	171 (6.73")		GEX82 22 (3)	GEX82 21 (3)	GEX83 21 (3)
GE0500 ET4 GE0630 ET4 GE0800 ET4																									GEX82 23 (4)	GEX82 22 (4)	GEX83 22 (4)
GE1000 E GE1250 E	424 (16.69")	210 (8.27")	214 (8.42")	50 (1.97")	9 (0.35")	295 (11.61")	375 (14.76")	419 (16.50")	85 (3.35")	163 (6.42")	595 (23.42")	315 (12.40")	57 (2.24")	6 (0.24")	88 (3.46")	208 (8.19")	7 (0.27")	400 (15.74")	—	360 (14.17")	M14	248 (9.76")	19 (0.75")		GEX82 32 (3)	GEX82 31 (3)	GEX83 31 (3)
GE1000 ET4 GE1250 ET4																									GEX82 33 (4)	GEX82 33 (4)	GEX83 32 (4)

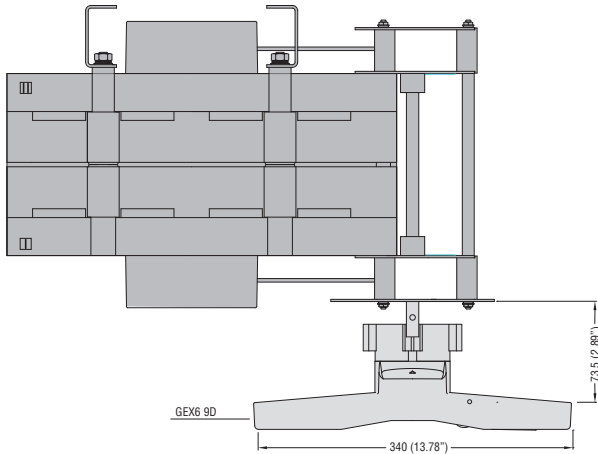
GE1600 E



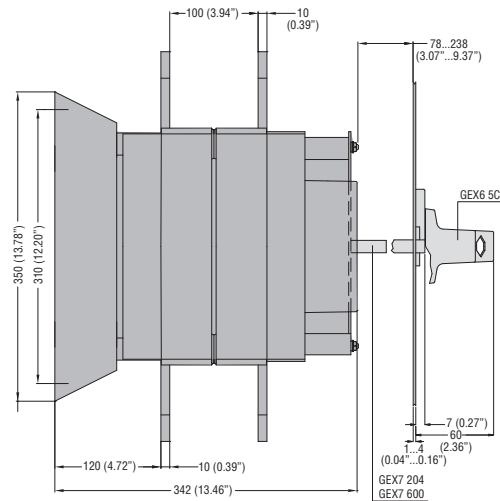
GE1600 ET4



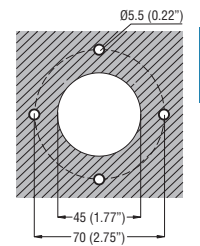
Direct operating version with handle GEX6 9D



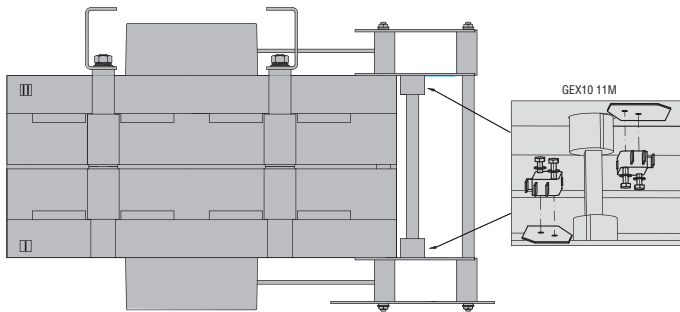
Door coupling version with handle GEX6 5C



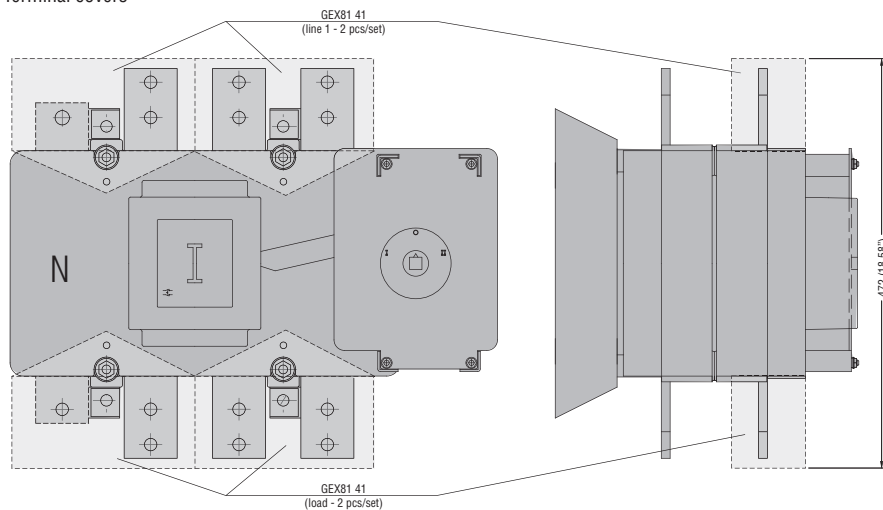
Drilling



Auxiliary contacts



Terminal covers

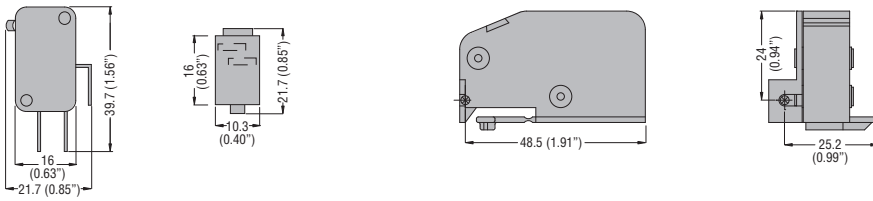


GE SERIES - ADD-ON BLOCKS AND ACCESSORIES

Auxiliary contacts

GEX10 11 - GEX10 11M

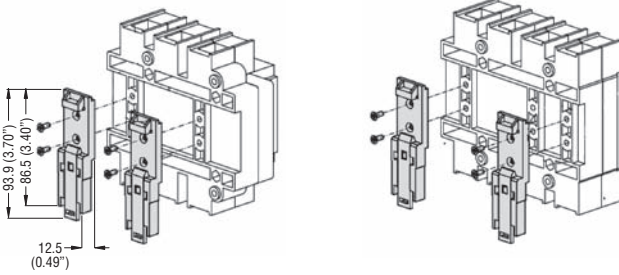
GEX10 11N



35mm DIN rail adapter kit **GEX89 00**

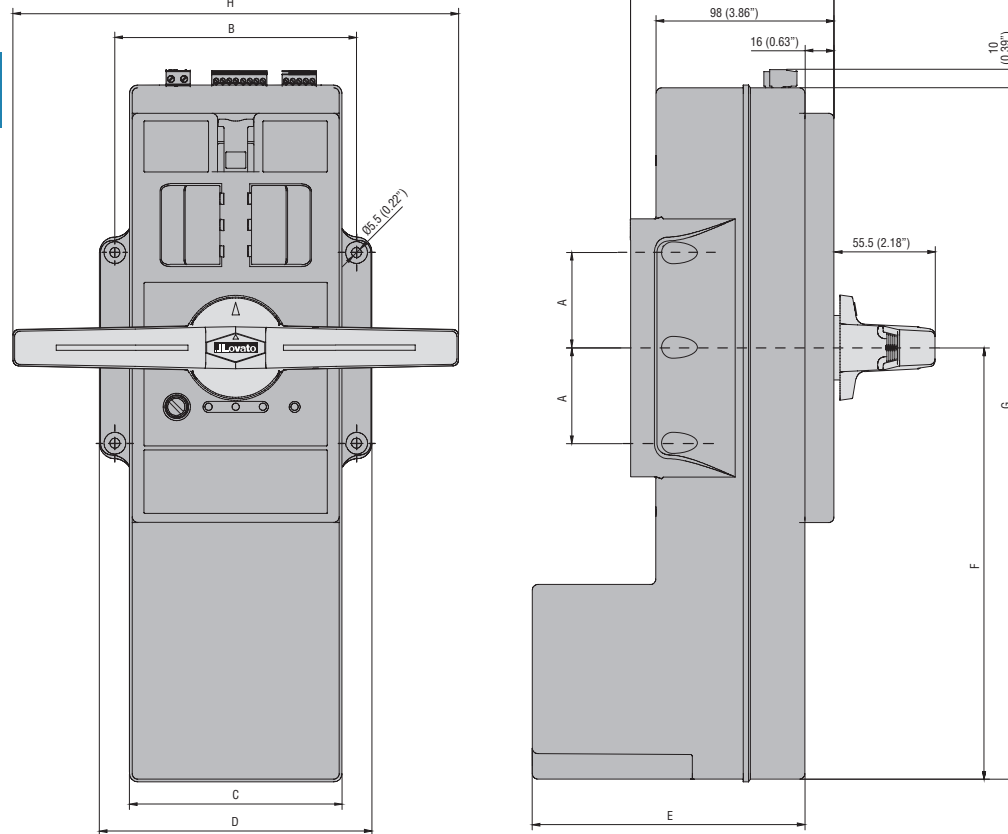
For GE0160 P

For GE0160 T4P - GE0160 DT4P



Motorised control unit

GEX69 1 - GEX69 2 - GEX69 3



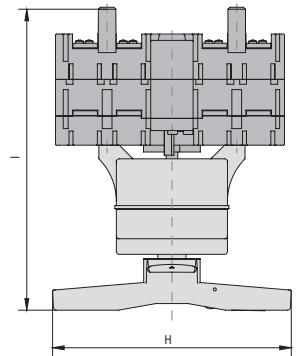
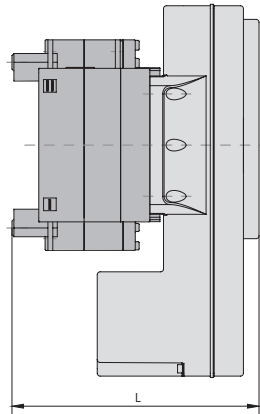
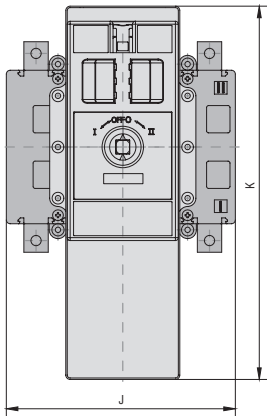
Type	A	B	C	D	E	F	G	H	Handle
GEX69 1	52.5 (2.07")	133 (5.24")	117 (4.61")	150 (5.90")	150 (5.90")	237 (9.33")	380 (14.96")	245 (9.64")	GEX6 2E
GEX69 2	88.5 (3.48")	167 (6.57")	153 (6.02")	184 (7.24")	172 (6.77")	312 (12.28")	455 (17.91")	360 (14.17")	GEX6 3E
GEX69 3	88.5 (3.48")	167 (6.57")	153 (6.02")	184 (7.24")	172 (6.77")	312 (12.28")	455 (17.91")	360 (14.17")	①

① GEX6 4E for GE1000 E... and GE1250 E... types; GEX6 9D for GE1600 E... types.

Switch disconnectors

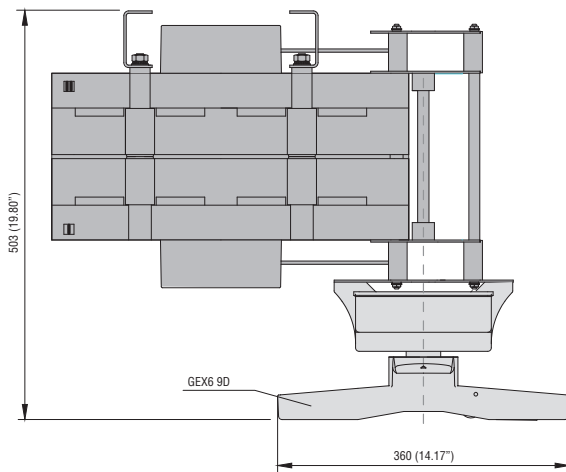
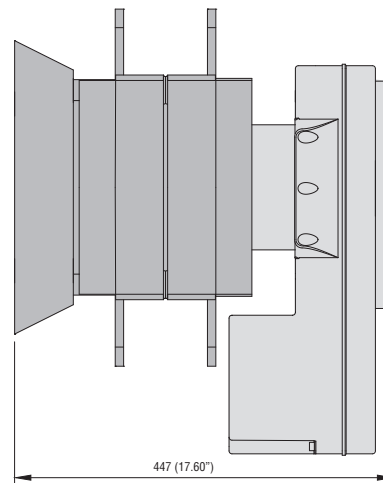
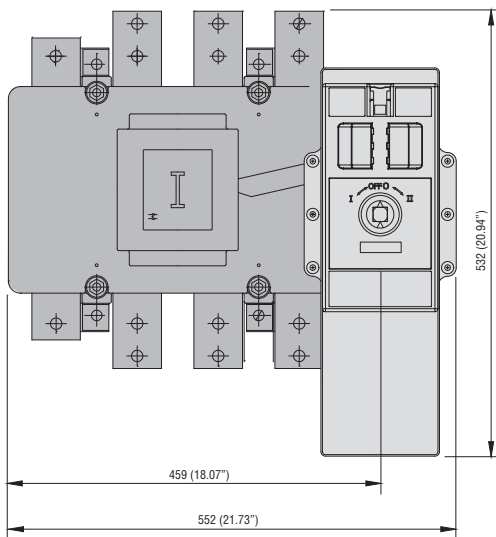
Dimensions [mm (in)]

GEX69 1 for GE0201 E - GE0201 ET4 - GE0250 E - GE0250 ET4 - GE0315 E - GE0315 ET4 - GE0400 E - GE0400 ET4
 GEX69 2 for GE0500 E - GE0500 ET4 - GE0630 E - GE0630 ET4 - GE0800 E - GE0800 ET4
 GEX69 3 for GE1000 E - GE1000 ET4 - GE1250 E - GE1250 ET4



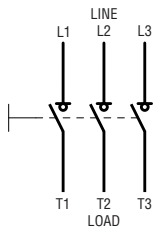
Type	H	I	J	K	L	Handle
GEX69 1	245 (9.64")	310 (12.20")	235 (9.25")	383 (15.08")	254 (10")	GEX6 2E
GEX69 2	360 (14.17")	339 (13.35")	321 (12.64")	468 (18.42")	283 (11.14")	GEX6 3E
GEX69 3	360 (14.17")	367 (14.45")	424 (16.69")	522 (20.55")	311 (12.24")	GEX6 4E

GEX69 3 mounted on GE1600 E - GE1600 ET4

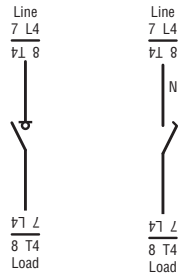


GE SERIES - 16A TO 125A SWITCH DISCONNECTORS

Three-pole disconnectors
GA...

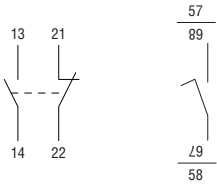


Fourth pole add on
GAX42... **GAX41...**



ADD-ON BLOCKS AND ACCESSORIES

Auxiliary contacts
GAX10...



GAX11... - GAX12...

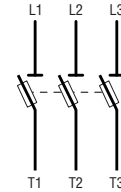
Neutral terminal
GAX31... - GAX32...



Earth terminal
GAX33... - GAX34...

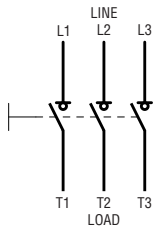


Fuse holder
GAX39 1

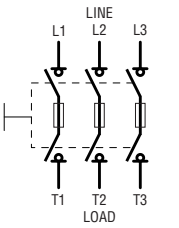


GE SERIES - 50A TO 1600A SWITCH DISCONNECTORS

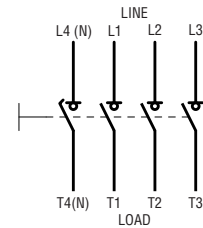
Three-pole disconnectors
GE0160 F - GE1600 F
GE0160 N - GE1600 N
GE0160 P



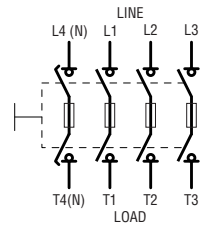
Three-pole disconnectors with fuse holders
GE0050 F - GE0125 F
GE0160 N - GE0800 N
GE0160 B - GE0800 B



Four-pole disconnectors
GE0160 T4 - GE1600 T4
GE0160 T4P

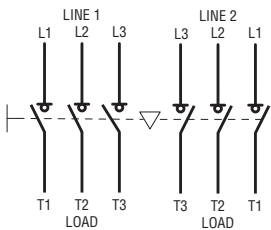


Four-pole disconnectors with fuse holders
GE0050 FT4 - GE0125 FT4
GE0160 NT4 - GE0800 NT4
GE0160 BT4 - GE0800 BT4

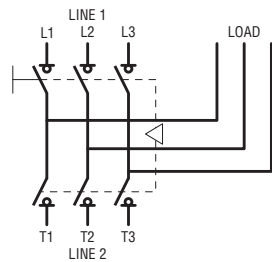


160A TO 1600A CHANGEOVER SWITCHES

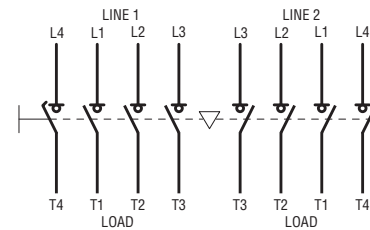
Three-pole switches
GE0160 E - GE0200 E



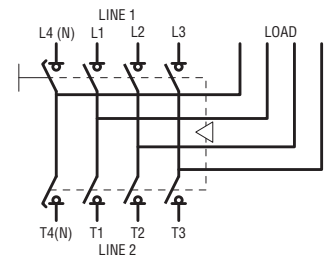
GE0201 E - GE1600 E



Four-pole switches
GE0160 ET4 - GE0200 ET4

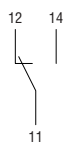


GE0201 ET4 - GE1600 ET4

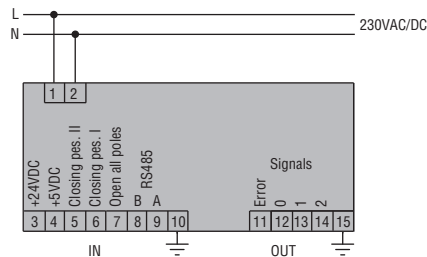


ADD-ON BLOCKS AND ACCESSORIES

Auxiliary contacts
GEX10 11 - GEX10 11M - GEX10 11N

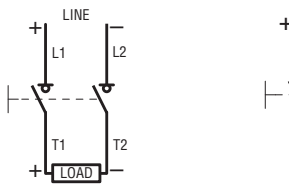


Motorised control unit
GEX69 1 - GEX69 2 - GEX69 3

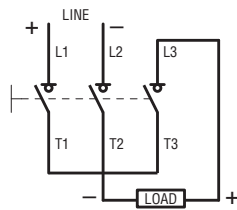


FOR PHOTOVOLTAIC APPLICATIONS
GE SERIES - with **GA...D** types

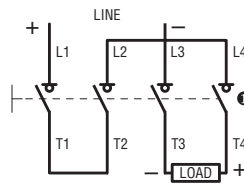
One-line control
2 poles in series



3 poles in series

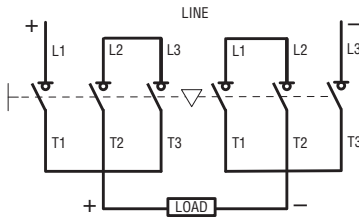


4 poles in series

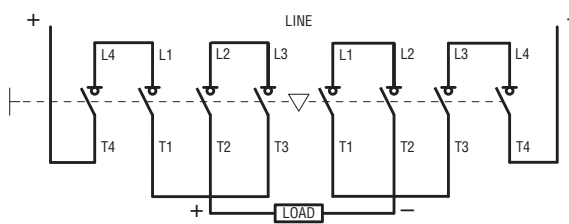


❶ The positive pole of the load is connected to the fourth pole of the switch disconnector on the right. If it is to be connected on the left, wiring needs to change accordingly.

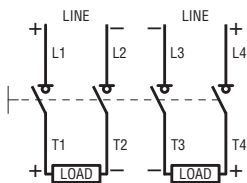
6 poles in series



8 poles in series

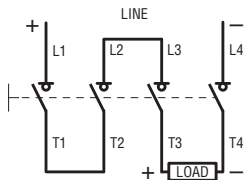


Two-line control
2+2 poles in series

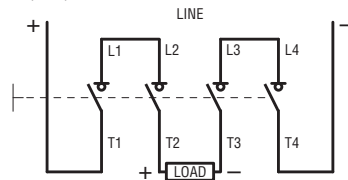


GE SERIES - with **GE...DT4** and **GE0160 DT4P** types

One-line control
4 poles in series



4 (2+2) poles in series



Switch disconnectors

Technical characteristics

GA series 16A to 125A

TYPE	3-pole		GA016...	GA025...	GA032...	GA040...	GA063 SA	GA063...	GA080...	GA100...	GA125...	
	4th-pole		GAX42 040...	GAX42 040...	GAX42 040...	GAX42 040...	GAX42 063SA	GAX42 063...	GAX42 080...	GAX42 100...	GAX42 125...	
CONTACT CHARACTERISTICS												
IEC conventional free air thermal current I _{th} (≤40°C)	A		16	25	32	40	63	63	80	100	125	
IEC rated insulation voltage U _i	V		1000									
IEC rated impulse withstand voltage U _{imp}	kV		8									
IEC rated operational current I _e			16	25	32	40	63	63	80	100	125	
AC21A	400V	A	16	25	32	40	63	63	80	100	125	
	500V	A	16	25	32	40	63	63	80	100	125	
	690V	A	16	25	32	40	63	63	80	100	125	
AC22A	400V	A	16	25	32	40	45	63	80	100	125	
	500V	A	16	25	32	40	45	63	80	100	125	
	690V	A	16	25	32	40	45	63	80	100	125	
AC23A	400V	A	16	25	32	40	45	63	80	100	125	
	500V	A	16	25	25	25	25	63	63	80	100	
	690V	A	16	25	25	25	25	47	47	47	47	
IEC rated operational power												
AC23A	400V	kW	7.5	11	15	18.5	22	30	45	55	55	
	690V	kW	11	22	22	22	22	45	45	45	45	
IEC reactive power for capacitor control 400V	kvar		7.5	10	12.5	15	15	25	30	40	50	
IEC protection against short-circuit												
Rated short-time withstand current (1s) I _{cw}	A rms		800				2500					
Rated conditional short-circuit current	kA rms		50									
With fuse class gG	A		16	25	32	40	63	63	80	100	125	
IEC making capacity (AC23A 400V)	A		400				450	1250				
IEC breaking capacity (AC23A 400V)	A		320				360	1000				
Mechanical life	cycles		100,000				100,000	30,000				
Electrical life (IEC AC21A)	cycles		100,000				15,000	30,000				
UL/CSA general use at 600V	A		16	25	32	40	50	60	100	100	100	
UL/CSA short-circuit rating at 600V	kA		5	5	5	5	5	10	10	10	10	
UL/CSA fuse class/max rating at 600V	Type/A		RK5/20	RK5/30	RK5/35	RK5/45	RK5/45	-/100	-/100	-/100	-/100	
UL/CSA HP ratings	120V	HP	1	1½	2	2	3	3	3	5	7½	
	Single phase	240V	HP	2	3	5	5	7½	7½	10	10	10
		Three phase	200-208V	HP	5	7½	10	10	10	20	25	30
	240V		HP	5	7½	10	15	15	20	30	30	30
	480V		HP	10	15	20	20	30	40	40	50	50
	600V		HP	10	20	20	25	30	40	40	60	40
Terminals	Type		Lug clamp ^①									
	A mm		5.6 (0.22")				12.4 (0.49")					
	B mm		6.5 (0.26")				10.4 (0.41")					
	Screw		M4				M8					
	Tool		Phillips 2				Metric Allen key 4					
Tightening torque min...max	Nm		1.8...2				5...6					
	lbin		16...18				45...54					
Conductor section min...max (flexible/stranded)	mm ²		0.75...16				4...50					
	AWG		18...6				12...1					
AMBIENT CONDITIONS												
Temperature	Operating	°C	-25...+55									
	Storage	°C	-40...+70									
Maximum altitude	m		3000									
Mounting position	Normal	Vertical										
	Admissible	Any										
Fixing	By screw or on 35mm DIN rail (IEC/EN 60715)											

① IEC/EN 60947-1 designation: Pillar terminal.



Switch disconnectors

Technical characteristics

GE series 160A to 1600A - Three and four switch disconnectors

TYPE	3-pole	GE0160P GE0160	GE0200	GE0250	GE0251	GE0315	GE0400	GE0500	GE0630	GE0800	GE1000	GE1250	GE1600
	4-pole Ⓢ	GE0160 T4P GE0160 T4	GE0200 T4	GE0250 T4	GE0251 T4	GE0315 T4	GE0400 T4	GE0500 T4	GE0630 T4	GE0800 T4	GE1000 T4	GE1250 T4	GE1600 T4

CONTACT CHARACTERISTICS

Conventional free air current Ith (≤40°C)	A	160	200	250	250	315	400	500	630	800	1000	1250	1600	
Rated insulation voltage Ui	V	1000												
Rated impulse withstand voltage Uimp	kV	8						12						
Rated operational current Ie														
AC21A	400V	A	160	200	200	250	315	400	500	630	800	1000	1250	1600
	500V	A	160	200	200	250	315	400	500	630	800	1000	1250	1600
	690V	A	160	180	180	250	315	400	500	630	800	1000	1000	1000
AC22A	400V	A	160	200	200	250	315	400	500	630	800	1000	1250	1600
	500V	A	160	200	200	250	315	400	500	630	800	1000	1000	1250
	690V	A	125	160	160	200	250	250	400	500	500	630	630	1000
AC23A	400V	A	160	160	160	250	315	400	500	630	800	800	800	1000
	500V	A	125	125	125	200	250	315	400	500	500	800	800	900
	690V	A	80	80	80	160	160	160	250	315	315	500	500	630
Reactive power for capacitor control 400V	kvar	72	72	72	153	153	153	225	284	284	360	360	450	
Rated operational power														
AC23A	400V	kW	90	90	90	138	174	220	220	349	443	443	443	554
	690V	kW	75	75	75	153	153	153	239	300	300	478	478	600
Protection against short-circuit														
Rated short-time withstand current (1s) Icw	kA rms	7			12			16			25		35	
Rated conditional short-circuit current ^①	kA rms	100												
With fuse class gG	A	160	200	250		315	400	500	630	800	1000	1250	2x800	
Making capacity (AC23A 400V)	A	1600			2500	3150	4000	5000	6300		8000		10000	
Breaking capacity (AC23A 400V)	A	1280			2000	2520	3200	4000	5000		6400		8000	
Mechanical life	cycles	30,000			20,000			10,000						
Electrical life (AC23A 400V)	cycles	1,000								500				
Terminals		Terminal for lugs [Ⓢ] or bars												
		Type												
		A mm	18	26		25			25	30		40	60	
		B mm	3			4			5			8	10	
Tightening torque	Screw	M8	M10						M14		M14			
	Nm	13 [Ⓢ]	24						45		55			
Tightening torque	lbft	10 [Ⓢ]	18						33		40			
	Maximum conductor section	mm ²	95	120		185		240	2x185	2x240		2x300		—
Maximum bar size (thickness-width)	mm	5-25 [Ⓢ]	5-30		7-25			6-40	2x 5-40		2x 10-50		2x 7-80	

AMBIENT CONDITIONS

Temperature	Operating	°C	-25...+55										
	Storage	°C	-40...+70										
Maximum altitude		m	3000										
Mounting position	Normal		Vertical										
	Admissible		Any										
Fixing			Screw										

- ① With protection fuse to limit current peak and let-through energy.
- ② Not suitable with GE0160 P and GE0160 T4P.
- ③ GE...P types have IP20 lug clamp/pillar terminals.
- ④ 4Nm/3lbft only GE...P types.
- ⑤ The four-pole type (3P+N) has early-make late-break neutral pole.

Switch disconnectors

Technical characteristics

GE series 50A to 800A - Three and four switch disconnectors with fuse holder

TYPE	NFC	3-pole	GE0050 F	GE0125 F	-	-	-	-	-	-	-	-
		4-pole [Ⓢ]	GE0050 FT4	GE0125 FT4	-	-	-	-	-	-	-	-
	BS	3-pole	-	-	GE0160 B	-	GE0200 B	GE0250 B	GE0315 B	GE0400 B	GE0630 B	GE0800 B
		4-pole [Ⓢ]	-	-	GE0160 BT4	-	GE0200 BT4	GE0250 BT4	GE0315 BT4	GE0400 BT4	GE0630 BT4	GE0800 BT4
	NH	3-pole	-	-	GE0160 N	GE0161 N	-	GE0250 N	-	GE0400 N	GE0630 N	GE0800 N
		4-pole [Ⓢ]	-	-	GE0160 NT4	GE0161 NT4	-	GE0250 NT4	-	GE0400 NT4	GE0630 NT4	GE0800 NT4

CONTACT CHARACTERISTICS

Conventional free air thermal current I _{th} (≤40°C)	A	50	125	160	160	200	250	315	400	630	800	
Rated insulation voltage U _i	V	800	800	800				1000				
Rated impulse withstand voltage U _{imp}	kV	8	8	8				12				
Rated operational current I _e												
AC21A	400V	A	50	125	160	160	200	250	315	400	630	800
	500V	A	50	125	160	160	200	250	315	400	630	800
	690V	A	50	125	160	160	200	250	315	400	630	630
AC22A	400V	A	50	125	160	160	200	250	315	400	630	800
	500V	A	50	125	160	160	200	250	315	400	630	800
	690V	A	50	125	125	160	200	250	315	400	630	630
AC23A	400V	A	50	125	160	160	200	250	315	400	630	630
	500V	A	50	125	125	160	200	250	315	400	630	630
	690V	A	50	80	100	125	160	200	250	315	400	400
Reactive power 400V for capacitor control	kvar	18	52	60	60	75	115	150	200	250	325	
Rated operational power AC23A	400V	kW	25	65	90	90	110	132	185	220	355	355
	690V	kW	42	80	90	110	160	250	315	400	630	800
Protection against short-circuit												
Let-through energy I ² t	kA ² s	13	17	17	26.3	26.3	43.3	43.3	43.3	60.8	60.8	
Rated conditional short-circuit current	kA rms	50	50	100 [Ⓛ]	100	100	100	100	100	100	100	
Making capacity (AC23A 400V)	A	500	1250	1600			2000	2600	3200	5100		
Breaking capacity (AC23A 400V)	A	400	1000	1600			2000	2500	3150	4000	6300	
Mechanical life	cycles	10,000	10,000	10,000						5,000		
Electrical life (AC23A 400V)	cycles	10,000	10,000	1,000						500		
Terminals	Type	[Ⓢ]	[Ⓢ]	Terminal for lugs or bars								
	A mm	-	-	20	25		30		35	40	50	
	B mm	-	-	3			4		5	6		
	Screw	M6	M6	M8			M10		M12	4x M8		
Tightening torque	Nm	3	4	13			24		45	13		
	lbft	2.2	3	10			18		33	10		
Maximum conductor section	mm ²	35	95	95	120		240		2x185		2x240	
Maximum bar size (thickness-width)	mm	-	3-25	3-25	5-25		6-40		2x 7-50		2x 7-50	

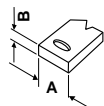
AMBIENT CONDITIONS

Temperature	Operating	°C	-25...+55								
	Storage	°C	-40...+70								
Maximum altitude	m	3000									
Mounting position	Normal	Vertical									
	Admissible	Any									
Fixing	Screw										

Ⓛ 50kA rms for GE0160 N and GE0160 NT4.

Ⓢ GE...F types have IP20 lug clamp/pillar terminals.

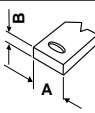
Ⓢ The four-pole type (3P+N) has early-make late-break neutral pole.



Switch disconnectors

Technical characteristics

GE series 160A to 1600A - Three and four-pole changeover switches

TYPE	3-pole	GE0160 E	GE0200 E	GE0201 E	GE0250 E	GE0315 E	GE0400 E	GE0500 E	GE0630 E	GE0800 E	GE1000 E	GE1250 E	GE1600 E	
	4-pole ^②	GE0160 ET4	GE0200 ET4	GE0201 ET4	GE0250 ET4	GE0315 ET4	GE0400 ET4	GE0500 ET4	GE0630 ET4	GE0800 ET4	GE1000 ET4	GE1250 ET4	GE1600 ET4	
CONTACT CHARACTERISTICS														
Conventional free air current Ith (≤40°C)	A	160	200		250	315	400	500	630	800	1000	1250	1600	
Rated insulation voltage Ui	V	1000						1000						
Rated impulse withstand voltage Uimp	kV	8						12						
Rated operational current Ie														
AC21A	400V	A	160	200	200	250	315	400	500	630	800	1000	1250	1600
	500V	A	160	200	200	250	315	400	500	630	800	1000	1250	1600
	690V	A	160	200	200	250	315	400	500	630	800	1000	1250	1600
AC22A	400V	A	160	200	200	250	315	400	500	630	800	1000	1250	1600
	500V	A	160	200	200	250	315	400	500	630	800	1000	1250	1250
	690V	A	125	160	160	200	250	315	400	500	630	800	1000	1000
AC23B	400V	A	160	160	200	200	250	250	400	400	630	1000	1000	1000
	500V	A	125	125	160	160	200	200	315	315	400	800	800	900
	690V	A	80	80	125	125	160	160	250	250	315	630	630	630
Reactive power 400V for capacitor control	kvar	72	72	131	131	166	166	262	262	333	415	415	450	
Rated operational power AC23A	400V	kW	89	89	100	100	125	125	200	200	315	500	525	550
	690V	kW	76	76	108	108	138	138	216	216	272	550	575	600
Protection against short-circuit	Rated short-time withstand current (1s) Icw	kA rms	6	6	8			13			25		35	
		kA rms	100	100						72				
	With fuse class gG	A	160	200	250		315	400	500	630	800	1000	1250	2x800
Rated making capacity (AC23A 400V)	A	1600	1600	3150		4000		6300		8000	10000	10000	10000	
Rated breaking capacity (AC23A 400V)	A	1280	1280	2520		3200		5040		6400	8000	8000	8000	
Mechanical life	cycles	30,000	30,000	10,000				10,000						
Electrical life (AC22A 400V)	cycles	1,000	1,000	1,000				500						
Terminals		Type	Terminal for lugs or bars											
		A mm	18	26	25			35	40			50	60	
		B mm	3	3			5			6	10			
		Screw	M8	M10			M12			M14	M14			
Tightening torque	Nm	13	24						45	55				
	lbft	10	18						33	40				
Maximum conductor section	mm ²	95	120	240			2x240			-	-	-		
Maximum bar size (thickness-width)	mm	4-13	13-18	2x 5-30			2x 6-45			2x 10-60		2x 7-80		
AMBIENT CONDITIONS														
Temperature	Operating	°C	-25...+55											
	Storage	°C	-40...+70											
Maximum altitude	m	3000												
Mounting position	Normal	Vertical												
	Admissible	Any												
Fixing	Screw													

- ① With protection fuse to limit current peak and let-through energy.
- ② The four-pole type (3P+N) has early-make late-break neutral pole.

TYPE	Three-pole	GA040 D	GA080 D	GA125 D
	4th-pole	GAX42 040 D	GAX42 080 D	GAX42 125 D
CONTACT CHARACTERISTICS				
IEC conventional free air thermal current I _{th} (≤40°C)	A	40	80	125
IEC rated insulation voltage U _i	V	1000		
IEC rated impulse withstand voltage U _{imp}	kV	8		
IEC rated operational current I _e DC21B				
2 poles in series	300V A	16	20	25
3 poles in series	48V A	40	80	125
	110V A	35	70	120
	220V A	32	40	95
	500V A	12	15	20
4 poles in series	400V A	35	40	64
	440V A	32	40	64
	500V A	32	40	56
	600V A	20	30	40
	700V A	15	18	20
	750V A	15	18	20
	800V A	15	18	20
	1000V A	—	12	15
6 poles in series ^①	600V A	35	45	50
	700V A	30	35	40
	750V A	25	35	40
	800V A	25	35	40
	1000V A	10	20	25
8 poles in series ^②	700V A	40	60	80
	750V A	35	50	60
	800V A	35	50	60
	1000V A	25	32	40
UL/SA general use at 600V	A	40	100	100
UL/CSA short-circuit rating at 600V	kA	5	10	10
UL/CSA fuse class / max rating at 600V	Type/A	RK5 / 45	- / 100	- / 100
UL/CSA HP ratings	120V HP	2	3	7 1/2
Single phase	240V HP	5	10	10
Three ophase 200-208V ^③	240V HP	10	25	25
	240V HP	15	30	30
	480V HP	20	40	50
	600V HP	25	40	40
Mechanical life	cycles	100,000	30,000	
Terminals		Type	Lug clamp ^④	
		A mm	5.6 (0.22")	12.4 (0.49")
		B mm	6.5 (0.26")	10.4 (0.41")
		Screw	M4	M8
		Tool	Phillips 2	Metric Allen key 4
Tightening torque min...max	Nm	1.8...2	5...6	
	lbin	16...18	45...54	
Conductor section min...max (flexible/rigid)	mm ²	0.75...16	4...50	
	AWG	18...6	12...1	
AMBIENT CONDITIONS				
Temperature	Operating	°C	-25...+55	
	Storage	°C	-40...+70	
Maximum altitude	m	3000		
Mounting position	Normal	Vertical		
	Admissible	Any		
Fixing		By screw or on 35mm DIN rail (IEC/EN 60715)		

① Using two pieces of 3-pole switch disconnectors mechanically coupled together by GAX60 00 / GAX60 01.

② Using two pieces of 3-pole switch disconnectors, each with the fourth-pole add-on, mechanically coupled together by GAX60 00 / GAX60 01.

③ The four-pole type (3P+N) has early-make late-break neutral pole.

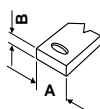
④ IEC/EN 60947-1 designation: Pillar terminal.

Switch disconnectors

Technical characteristics

GE series for photovoltaic applications

TYPE	4-pole	GE0160 DT4P GE0160 DT4	GE0125 DT4	GE0250 DT4	GE0315 DT4	GE0630 DT4	GE0800 DT4	GE1250 DT4	
CONTACT CHARACTERISTICS									
Conventional free air thermal current I _{th} (≤40°C)	A	160	125	250	315	630	800	1250	
Rated insulation voltage U _i	V	1000							
Rated impulse withstand voltage U _{imp}	kV	8				12			
Rated operational current I _e DC21B	48V	A	160	125	250	315	630	800	1250
4 poles in series	110V	A	160	125	250	315	630	800	1250
	220V	A	160	125	250	315	630	800	1250
	400V	A	160	125	250	315	630	800	1250
	440V	A	150	125	250	315	630	750	1250
	500V	A	150	125	250	315	630	700	1250
	600V	A	150	125	250	315	500	700	1250
	750V	A	80	125	250	290	400	650	1050
	800V	A	70	125	250	280	350	630	1000
850V	A	45	125	240	270	320	580	940	
900V	A	40	125	220	260	300	550	870	
1000V	A	30	100	200	250	270	500	850	
Mechanical life	cycles	30,000	20,000			10,000			
Terminals	Type	Terminal for lugs ^② or bars							
	A mm	18	20	25		30		40	
	B mm	3	4	4		5		8	
	Screw	M8	M8	M10			M14		
Tightening torque	Nm	13 ^①	13	18		24		45	
	lbft	10	10	13		18		33	
Maximum bar size (thickness-width)	mm	5-25 ^③	7-25			2x 5-40		2x 10-50	
Maximum conductor section	mm ²	95	185			2x240		2x300	
AMBIENT CONDITIONS									
Temperature	Operating	°C	-25...+55						
	Storage	°C	-40...+70						
Maximum altitude		m	3000						
Mounting position	Normal		Vertical						
	Admissible		Any						
Fissaggio			Screw						



- ① Not suitable with GE0160 DT4P.
- ② GE0160 DT4P type has lug clamp/pillar terminals, IP20.
- ③ 4Nm/3lbft only for GE0160 DT4P.