



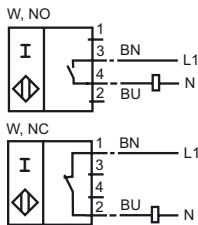
Model Number

NCN40-FP-W-T-P1

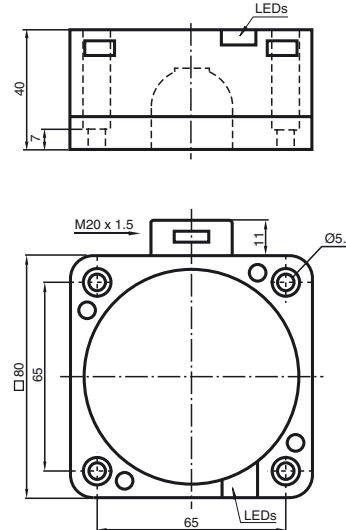
Features

- Temperature range -25 ... 100 °C (-13 ... 212 °F)
- 40 mm not embeddable

Connection



Dimensions



Technical Data

General specifications

Switching element function	AC	NO/NC
Rated operating distance	s_n	40 mm
Installation		not embeddable
Output polarity		AC
Assured operating distance	s_a	0 ... 32.4 mm
Reduction factor r_{AI}		0.4
Reduction factor r_{Cu}		0.3
Reduction factor r_{304}		0.85

Nominal ratings

Operating voltage	U_B	20 ... 253 V
Switching frequency	f	0 ... 20 Hz
Hysteresis	H	typ. 3 %
Short-circuit protection		no
Voltage drop	U_d	≤ 5 V typ. 4V
Momentary current (20 ms, 0.1 Hz)		≤ 3000 mA
Temperature drift		-10 ... 15 % at < -25 °C
Operating current	I_L	5 ... 500 mA
Off-state current	I_r	0.3 ... 1 mA typ. 0.7 mA
Operating voltage display		LED, green
Indication of the switching state		LED, yellow

Ambient conditions

Ambient temperature	-25 ... 100 °C (-13 ... 212 °F)
---------------------	---------------------------------

Mechanical specifications

Connection type	screw terminals
Core cross-section	up to 2.5 mm ²
Housing material	PBT
Sensing face	PBT
Housing base	PBT
Protection degree	IP68

Note

¹⁾ In the temperature range below 0 °C, permissible operating voltage U_b 80...253 V
 Safety fuse ≤ 2 A (quick-blow) according to IEC 60127-2 Sheet 1
 Recommendation: after a short circuit, check that the device is functioning correctly.

Compliance with standards and directives

Standard conformity	
Standards	EN 60947-5-2:2007 IEC 60947-5-2:2007

Approvals and certificates

UL approval	cULus Listed, General Purpose
CSA approval	cCSAus Listed, General Purpose
CCC approval	Certified by China Compulsory Certification (CCC)

Release date: 2012-03-07 15:14 Date of issue: 2012-03-07 130539_eng.xml