

Plexo weatherproof boxes

increased depth PVC range



Dimensions opposite and p. 41

Grey RAL 7035
 Operating temperature : - 20 °C to +50 °C
 PVC box and cover
 Self-extinguishing : 750 °C for Cat. Nos. 0350 43 and 0922 84
 960 °C for Cat. Nos. 0350 58 and 0921 22
 Deep weatherproof plastic industrial equipment boxes with smooth sides
 Fixing options :
 - inside : 4 oblong holes at back of box
 - outside : cabling volume at 4 corners with Ø4 screws
 - with wall mounting brackets (Cat. No. 0364 08) for 310 x 240 boxes
 Option of mounting equipment on rail or on plain plate at back of box
 1/4 turn opening/closing

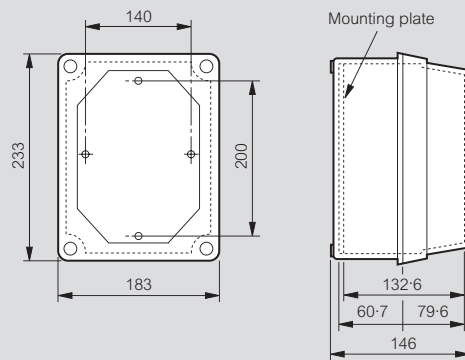
Pack	Cat. Nos.	Weatherproof boxes – IP 55
		Nominal internal dimensions : Height x Width x Depth (mm)
		Depth 140 mm
2	0921 22	IK 07 - IP 55 220 x 170 x 140 mm - (1/4 turn cover fixings)
		Depth 154 mm
2	0350 43	IK 08 - IP 55 265 x 174 x 154 mm - (1/4 turn cover fixings with hinges)
1	0350 58	359 x 265 x 154 mm - (1/4 turn cover fixings with hinges)
		Depth 160 mm
1	0922 84	IK 08 - IP 55 310 x 240 x 160 mm - (1/4 turn cover fixings with hinges)

Accessories		
Metal mounting plates		
Galvanised steel - 1.5 mm thick For PVC box size :		
5	0350 90	220 x 170 mm
5	0350 92	265 x 174 mm
5	0350 93	310 x 240 mm
1	0350 94	359 x 265 mm
Set of 4 wall mounting brackets		
1	0364 08	For PVC box size 310 x 240 mm only

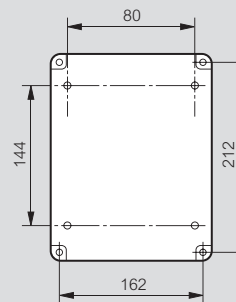
PVC boxes are not provided with side mounts for IP 2X terminals

■ Dimensions (mm)

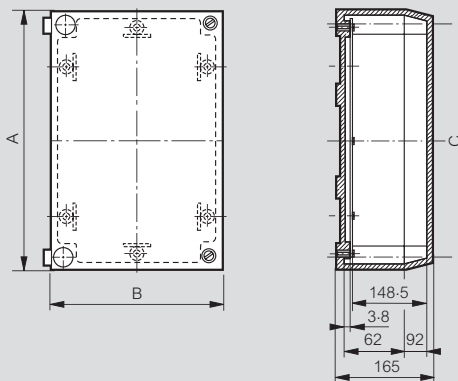
Cat. No. 0921 22



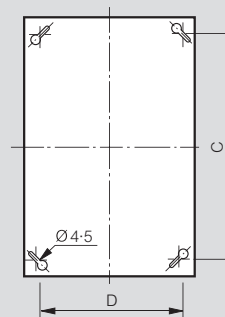
Fixing dimensions



Cat. Nos. 0350 43/58



Fixing dimensions



Cat. Nos.	Dimensions		Fixing points		Weight (kg)
	A (mm)	B (mm)	C (mm)	D (mm)	
0350 43	273	182	246	155	1.08
0350 58	367	273	340	246	1.80

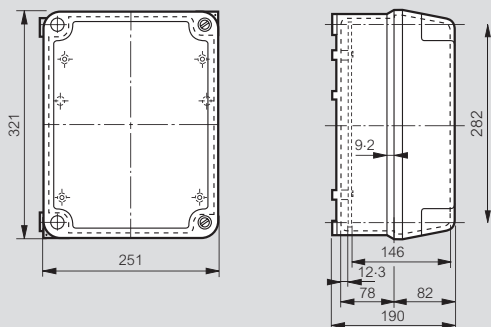
Plexo weatherproof boxes

increased depth PVC range (continued)

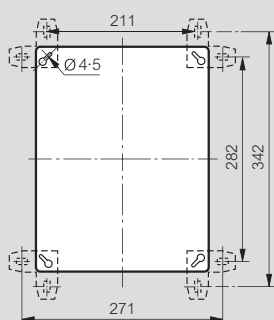
Nylbloc™ terminal strips

■ Dimensions (mm)

Cat. No. 0922 84

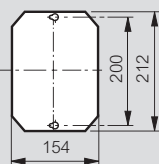


Fixing dimensions

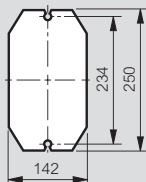


■ Mounting plates for PVC boxes

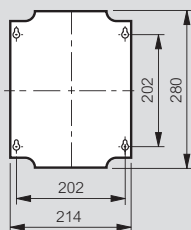
Cat. No. 0350 90



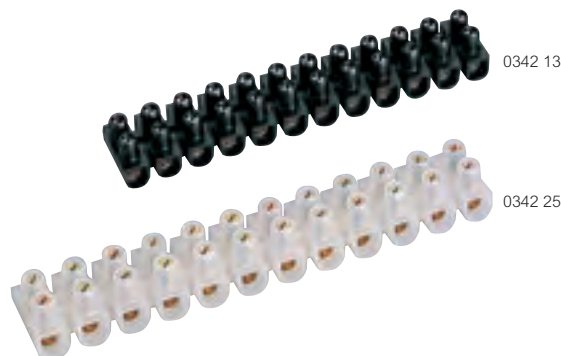
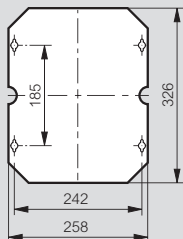
Cat. No. 0350 92



Cat. No. 0350 93



Cat. No. 0350 94



Pack	Cat. Nos.	Nylbloc terminal strips			
		According to EN 60998-2-1, the rated insulation voltage of Nylbloc terminal strips is 250 V			
		They may be used under 400 V nominal voltage supply when integrated in equipment designed according to EN 60664-1 with pollution degree 2 and overvoltage category III			
		12 way strips with captive screws			
		Supplied with screws undone			
		Flame retardent polypropylene (-25 °C to +100 °C)			
		Ambient temperature from -25 °C to +55 °C			
		Rated capacity (mm ²)	Diameter Ø	Current max. (A)	Dimensions (mm)
	Black				
10	0342 11	2.5	2.5	24	15.6 x 94 x 12.3
10	0342 13	6	3.5	41	18 x 107 x 14.7
10	0342 15	10	4.5	57	20.8 x 136 x 17.4
10	0342 17	16	5.5	76	24.2 x 157 x 22.6
10	0342 19	25	7	101	33.2 x 214 x 27.8
	White				
10	0342 21	2.5	2.5	24	15.6 x 94 x 12.3
10	0342 23	6	3.5	41	18 x 107 x 14.7
10	0342 25	10	4.5	57	20.8 x 136 x 17.4
10	0342 27	16	5.5	76	24.2 x 157 x 22.6



Plexo weatherproof boxes p. 36-40



Download the full file at

<http://assets.kempstoncontrols.com/doc/Legrand%20Industrial%20and%20power%20protection%20catalogue.pdf>



KEMPSTON
CONTROLS