

Incremental encoders

Blind hollow shaft or cone shaft

300...5000 pulses per revolution

HOG 10



HOG 10 with axial terminal cover

Technical data - electrical ratings

Voltage supply	9...30 VDC 5 VDC \pm 5 %
Consumption w/o load	\leq 100 mA
Pulses per revolution	300...5000
Phase shift	90° \pm 20°
Scan ratio	40...60 %
Reference signal	Zero pulse, width 90°
Sensing method	Optical
Output frequency	\leq 120 kHz \leq 300 kHz (on request)
Output signals	K1, K2, K0 + inverted Error output (only EMS)
Output stages	HTL-P (power linedriver) TTL/RS422
Shaft insulation	2.8 kV
Transmission length	\leq 350 m at 100 kHz (HTL-P) \leq 550 m at 100 kHz (TTL)
Interference immunity	EN 61000-6-2
Emitted interference	EN 61000-6-3
Approvals	CE, UL approval / E256710

Features

- TTL output driver for cable length up to 550 m
- Very high resistance to shock and vibrations
- Hybrid bearing for extended lifetime
- Shaft insulation up to 2.8 kV
- Big terminal box, turn by 180° or axial terminal cover

Optional

- Function control with EMS (Enhanced Monitoring System)
- Redundant sensing with two terminal boxes
- With heating up to -50°C
- With earthing brushes

Technical data - mechanical design

Size (flange)	\varnothing 105 mm
Shaft type	\varnothing 12...20 mm (blind hollow shaft) \varnothing 17 mm (cone shaft 1:10)
Shaft loading	\leq 450 N axial \leq 600 N radial
Protection DIN EN 60529	IP 66
Operating speed	\leq 6000 rpm (mechanical)
Operating torque typ.	6 Ncm
Rotor moment of inertia	340 gcm ²
Materials	Housing: aluminium die-cast Shaft: stainless steel
Operating temperature	-40...+100 °C -25...+100 °C (>3072 pulses per revolution) -50...+100 °C (optional)
Resistance	IEC 60068-2-6 Vibration 20 g, 10-2000 Hz IEC 60068-2-27 Shock 300 g, 6 ms
Explosion protection	II 3 G Ex nA IIC T4 Gc (gas) II 3 D Ex tc IIIC T135°C Dc (dust)
Connection	Terminal box Terminal cover 2x terminal box (with option M)
Weight approx.	1.6 kg, 1.8 kg (with option M)

Subject to modification in technic and design. Errors and omissions excepted.

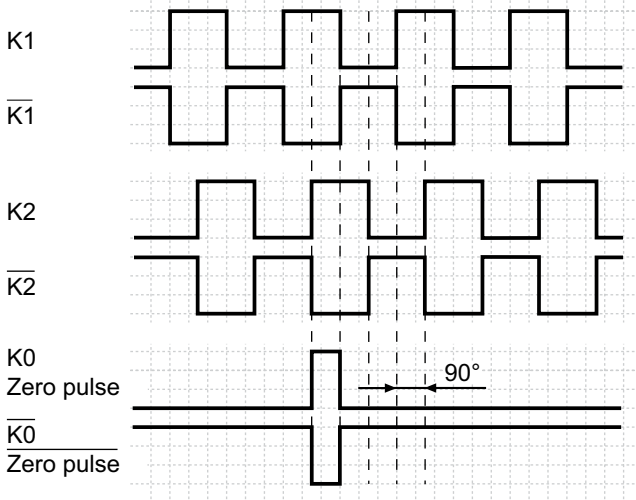
Incremental encoders

Blind hollow shaft or cone shaft
300...5000 pulses per revolution

HOG 10

Output signals

At positive rotating direction



Option EMS: LED status / Error output

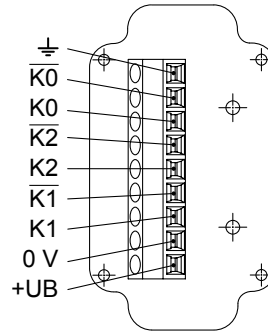
Flash light red*	Error of signal sequence, zero pulse or pulses (Error output = HIGH-LOW alternation)
Red	Overload output driver (Error output = LOW)
Flash light green	Encoder o.k., rotating (Error output = HIGH)
Green	Encoder o.k., stopped (Error output = HIGH)
No light	No output voltage connection or wrong connection (Error output = LOW)

* Only at rotating encoder

Terminal assignment

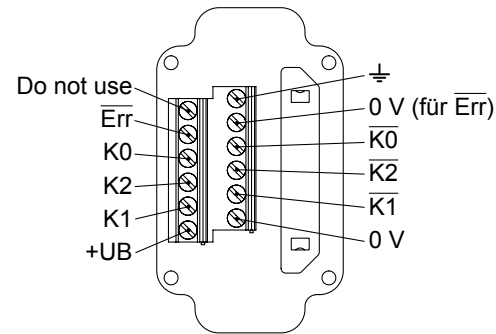
View A

Connecting terminal in radial terminal box



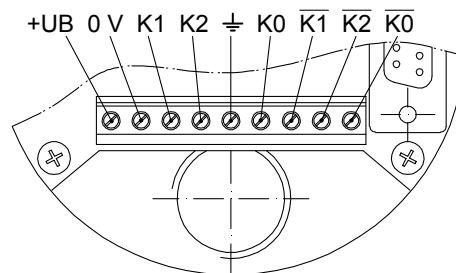
Option EMS: View A

Connecting terminal in radial terminal box



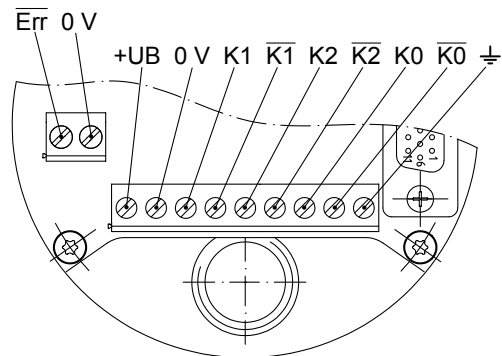
View B

Connecting terminal in axial terminal cover



Option EMS: View B

Connecting terminal in axial terminal cover



Subject to modification in technic and design. Errors and omissions excepted.

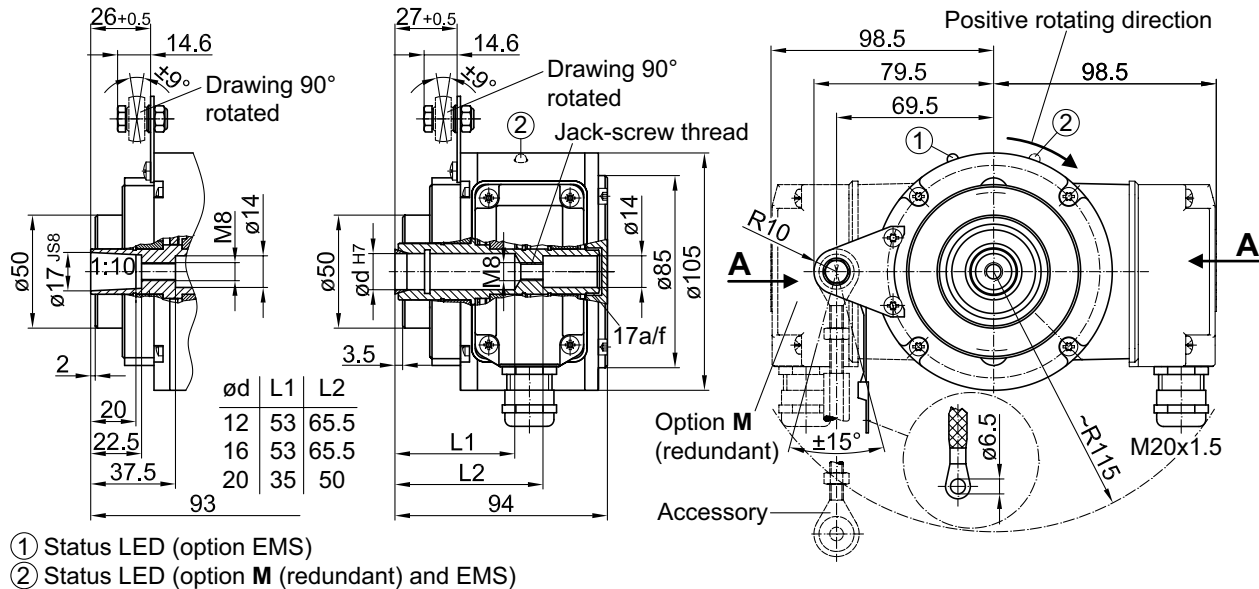
Incremental encoders

Blind hollow shaft or cone shaft
300...5000 pulses per revolution

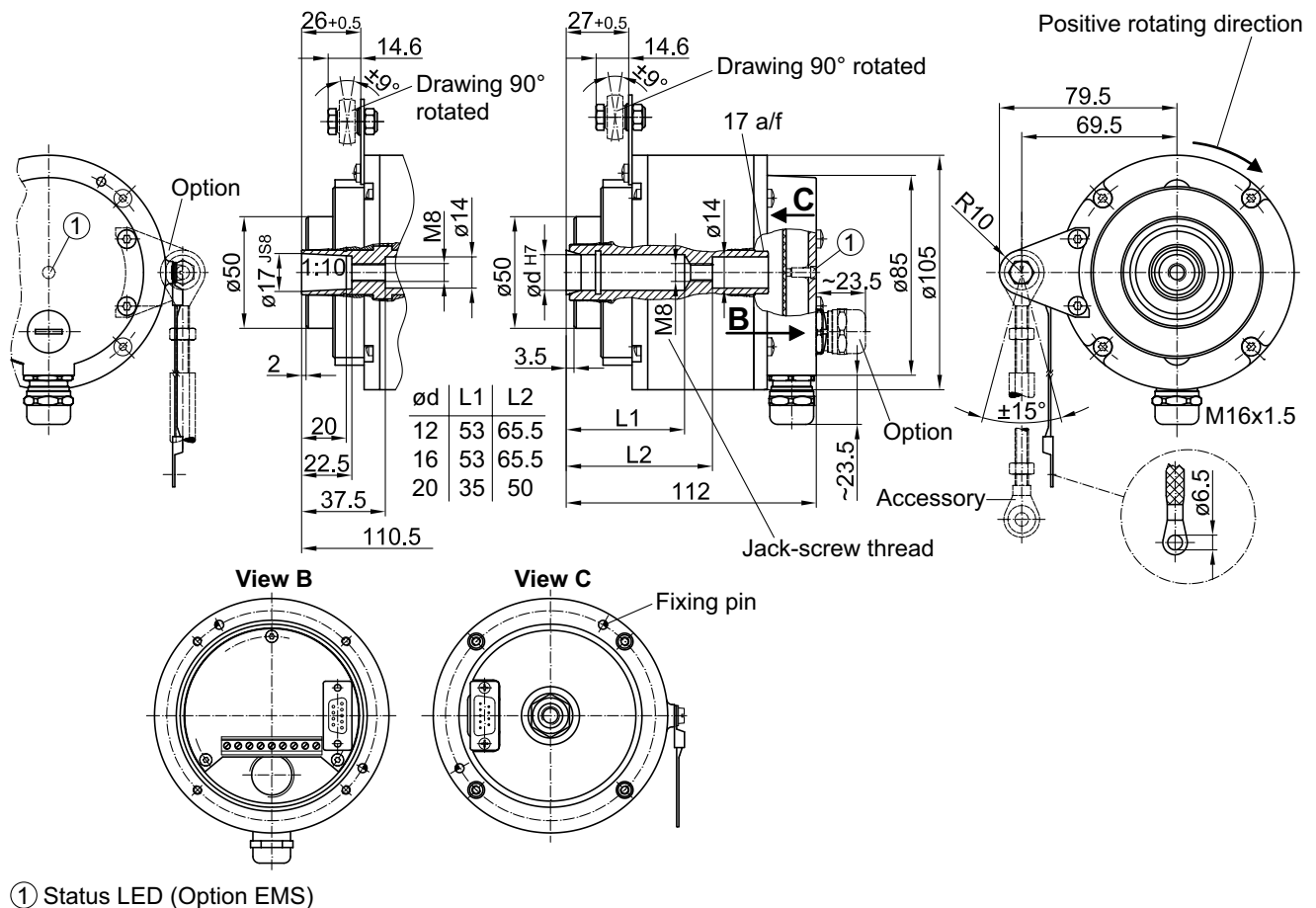
HOG 10

Dimensions

HOG 10 (HOG 10.2, HOG 10 M, HOG 10.2 M) - Version with radial terminal box



HOG 10 (HOG 10.2) - Version with axial terminal cover



Subject to modification in technic and design. Errors and omissions excepted.