

M12 male 0° / M12 female 0°

PUR 5x0.34 ye UL/CSA+drag chain 0,4m

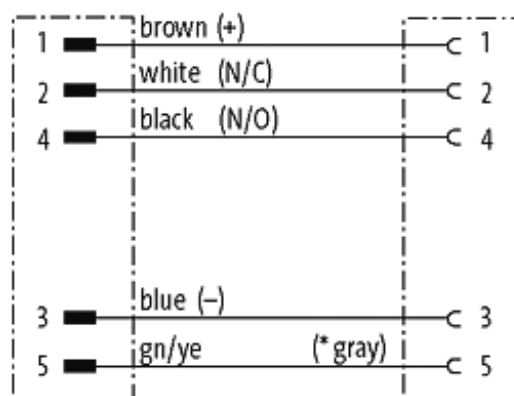
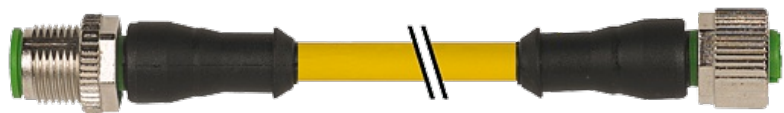
Male straight - female straight

M12 - M12, 5-pole

with cable sleeves

Art.-No. 7005 - M12 Lite - (plastic hexagonal screw) on request

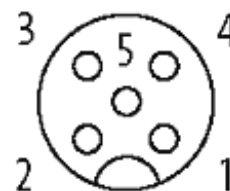
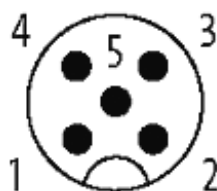
Plastic housings with good resistance against chemicals and oils. The resistance to aggressive media should be individually tested for your application. Further details on request. Further cable lengths on request.

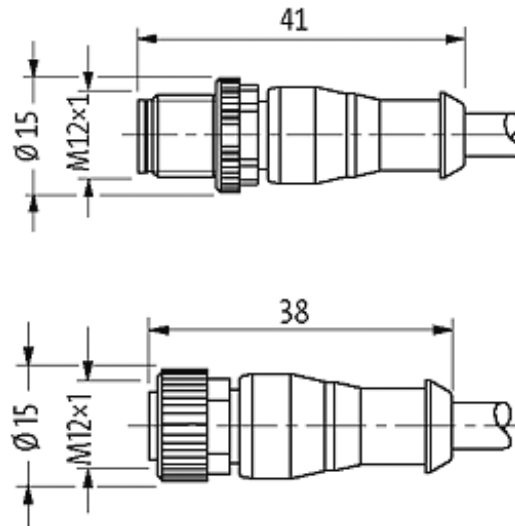
[Link to Product](#)**Illustration**

(* for cable type 126, 732, 219, 619)

Male

Female





Product may differ from Image

Approvals



* only for products with UL/CSA approved cable

Form

Form 40041

Cables

Cable number	126
No./diameter of wires	5 × 0.34 mm ²
Wire isolation	PP (br, wh, bl, bk, gr)
C-track properties	5 Mio.
Jacket Color	yellow
Material (jacket)	PUR (UL/CSA)
Outer Ø	approx. 5.0 mm
Bend radius (moving)	10 × outer Ø
Temperature range (fixed)	-40...+80 °C
Temperature range (mobile)	-25...+80 °C
	126
Cable type	3 (PUR)
	41,80
	0.1 mm
	5 × 0.34 mm ²
	PP
	70 ±5 D
Wire-Ø incl. isolation	approx. 1.25 mm
Material (jacket)	PUR
Shore hardness (jacket)	90 ±5 A

The information in this brochure has been compiled with the utmost care.

Liability for the correctness completeness and topicality of the information is restricted to gross negligence. Version: 02/17

Murrelektronik GmbH | Falkenstraße 3 | 71570 Oppenweiler | Fon +49 (71 91) 47-0 | Fax +49 (71 91) 47-491000 | shop@murrelektronik.com | shop.murrelektronik.com

	approx. 5.0 mm
	Flame retardant
Nominal voltage	300 V AC
	2500 V AC
Bend radius (fixed)	5 × outer Ø
Bend radius (moving)	10 × outer Ø
	max. 5 m (horizontal)
	max. 3.3 m/s
	±180°/m

Technical Data

Operating voltage	max. 125 V AC/DC
Operating voltage (only UL listed)	max. 30 V AC/DC
Rated surge voltage	1.5 kV
Operating current per contact	max. 4 A
Material group	IEC 60664-1, category I
Coding	A-coded
Locking of ports	Screw thread M12 × 1 mm (recommended torque 0.6 Nm) self-securing
Compression gland	M12 (SW13)
Protection	IP65, IP66K, IP67
Locking material	Zinc die casting, matte nickel plated
Material	PUR
	10 mm

General data

Pollution Degree	3
Temperature range	-25...+85 °C, depending on cable quality

Commercial data

country of origin	CZ
customs tariff number	85444290
EAN	4048879482103
eClass	27061801
minimum order quantity	1