

Type: PF8-S & PF11-S

8 & 11-pin Sockets

- ❑ 35mm DIN Rail or Surface Mounting
- ❑ Self Rising Washers
- ❑ Screwdriver release clip
- ❑ 2 x 2.5mm cable acceptance
- ❑ Compact size
- ❑ Shrouded terminals (to IP20)
- ❑ Dual terminal numbering to IEC 67 & DIN 46 199



Dims:
H. 30mm
W. 43mm
D. 51mm

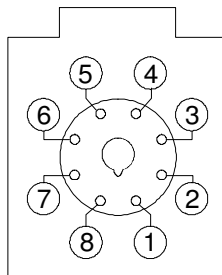
• INSTALLATION NOTE



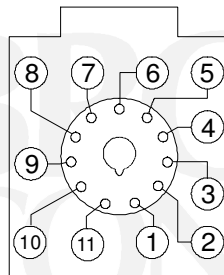
Installation work must be carried out by qualified personnel.

- BEFORE INSTALLATION, ISOLATE THE SUPPLY.

• PINNING DETAILS



PF8-S



PF11-S

• TECHNICAL SPECIFICATION

Voltage rating: 380V AC
Current rating: 10A
Dielectric strength: >2kV

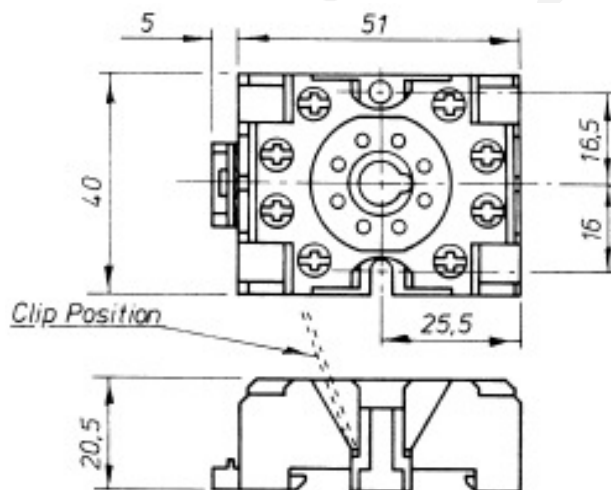
Ambient temp: -45 to +60°C

Material: Black Self extinguishing glass filled PPO. UL94 V1
Weight: ≈ 37g (PF8-S)
≈ 52g (PF11-S)

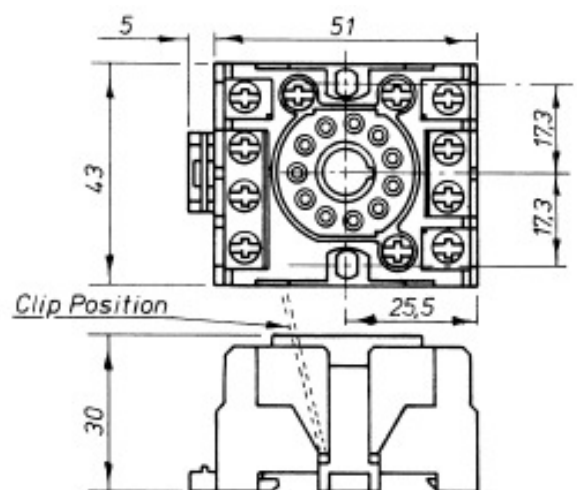
Mounting option: 1. On to 35mm symmetric DIN rail to BS5584:1978 (EN50 002, DIN 46277-3)
2. Surface mounting using the two fixing holes provided. Fixing centres are 34.6mm, Ø 4.2mm

Approvals: UL, CUL.
CE Compliant.

• DIMENSIONS



PF8-S



PF11-S