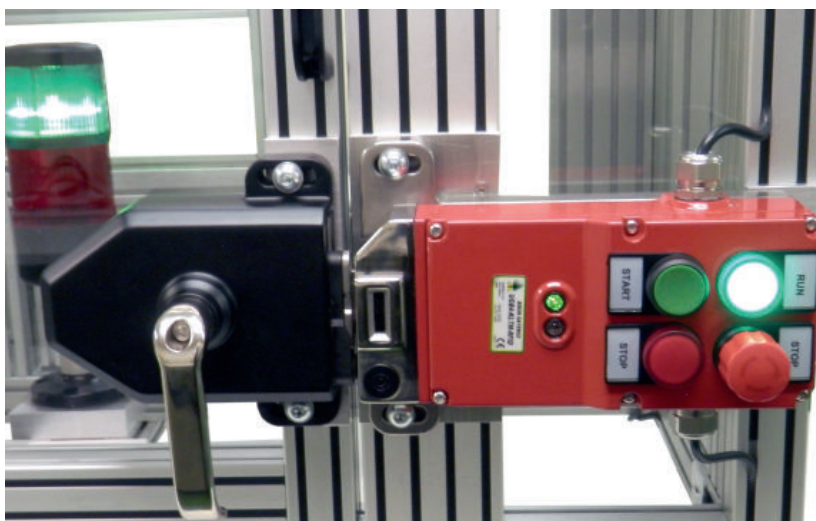


Universal Gate Box with Safety Interlocking TYPE: UGB-KLT

FEATURES & APPLICATION:



Available as:
Die Cast metal painted red
or Stainless Steel 316.
4 Station model or
2 Station model.
Completely flexible - end user chooses buttons, lamps,
switches options for each station.

Application:

IDEM Universal Gate Boxes (UGB-KLT) provide high level RFID coded interlocking and machine control functions in one heavy duty housing. They can be easily fitted to access doors to provide guard locking, rear escape options and sliding or rotary handles.

They reduce the risk of operators being trapped inside a guarded area.

The UGB-KLT housings will incorporate standard 22mm push buttons, lamps or switches which can be added to provide machine request or control functions all from one UGB-KLT housing.

Features:

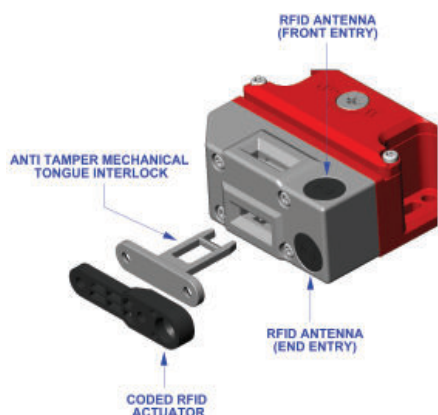
- Robust Safety Interlock switches with RFID and multifunction control features built into one housing.
- 2 or 4 station housing for incorporating wide choice of standard 22mm push buttons, lamps or switches.
- Optional sliding handle actuators or rotary handle actuators.
- Rear escape release options.
- Rotary one way rear escape handle (cannot be re-closed from inside the hazardous area).
- The built-in KLT switch has both anti-tamper RFID coding technology and standard mechanical interlock technology.
- 24Vdc solenoid to release lock.
- Built-in LED diagnostics of switch status and easy to read label legends.
- Easy to mount painted die-cast or Stainless Steel 316 housings.
- Holds guards closed and locked up to 3000N.
- Can be padlocked off for safe working.

TECHNICAL SPECIFICATIONS:

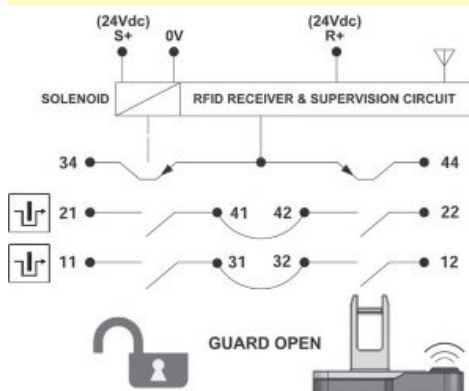
Standards: ISO14119
EN60947-5-1 EN60204-1 EN62601
ISO13849-1
UL508

Safety Classification and Reliability Data:

| | |
|-------------------------------------|---|
| Mechanical Reliability B10d | 2.5 x 10 ⁶ operations at 100mA load |
| ISO13849-1 | Up to PLe depending upon system architecture |
| EN62061 | Up to SIL3 depending upon system architecture |
| Safety Data – Annual Usage | 8 cycles per hour/24 hours per day/365 days |
| PFHd | 4.77 x 10 ⁻¹⁰ |
| Proof Test Interval (Life) | 20 years |
| MTTFd | 1100a |
| KLT-SS-RFID Supply/Solenoid Voltage | 24V dc |
| Solenoid Wattage | 9W |
| Rated Insulation/Withstand Voltages | 600Vac/2500Vac |
| Travel for Positive Opening | 10mm |
| Maximum Approach/Withdrawal Speed | 600mm/s |
| Holding Force | F1Max 3000N Fzh 2307N |
| Body Material | Die-cast painted red or Stainless Steel 316 |
| Head Material | Polished Stainless Steel 316 |
| Enclosure Protection | IP65 |
| Operating Temperature | -25C +40C |
| Vibration | IEC 68-2-6 10-55Hz + 1Hz Excursion 0.35mm 1 octave/min |
| Conduit Entry | M20 |
| Fixing | 4 x M5 |



KLT INTERNAL CONNECTIONS:



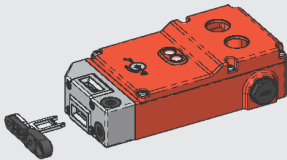
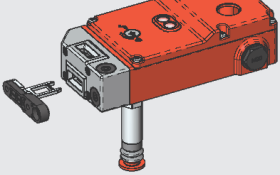
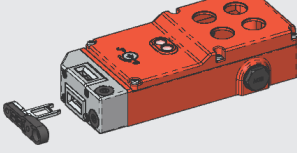
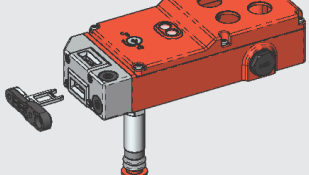
For all IDEM switches the normally closed (NC) circuits are closed when the guard is closed actuator inserted.

Universal Gate Box with Safety Interlocking TYPE: UGB-KLT

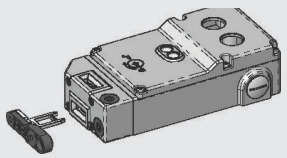
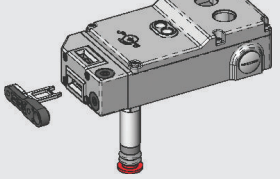
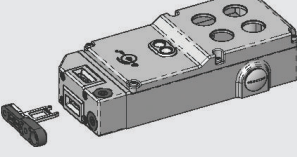
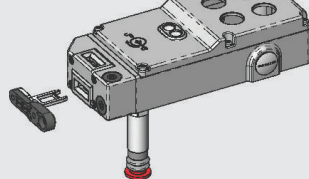
GATE BOX SWITCHES & ACTUATORS SALES NUMBERS:

Note: ALL Universal Gate Boxes are supplied complete with RFID coded tongue actuator. These can fitted directly where no rear escape or rotary handles are preferred.

DIE CAST:

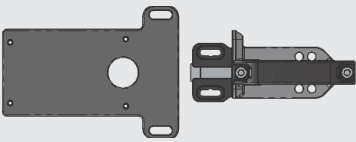
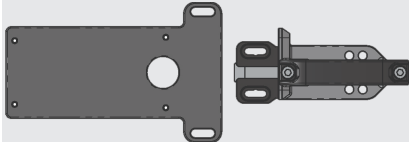
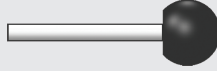
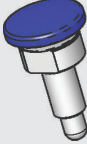
| | | | |
|---|---|--|---|
|  |  |  |  |
| TYPE: UGB2-KLTM-RFID | TYPE: UGB2-KLTM-RFID-RR | TYPE: UGB4-KLTM-RFID | TYPE: UGB4-KLTM-RFID-RR |
| Universal Gate Box (2 Station) | Universal Gate Box (2 Station) with Rear Release | Universal Gate Box (4 Station) | Universal Gate Box (4 Station) with Rear Release |
| 24V Solenoid M20 Conduit | 24V Solenoid M20 Conduit | 24V Solenoid M20 Conduit | 24V Solenoid M20 Conduit |
| SALES NUMBER (Manual Override) | SALES NUMBER(Manual Override) | SALES NUMBER(Manual Override) | SALES NUMBER(Manual Override) |
| 525001 | 525002 | 526001 | 526002 |
| SALES NUMBER (No Manual Override) | SALES NUMBER (No Manual Override) | SALES NUMBER (No Manual Override) | SALES NUMBER (No Manual Override) |
| 525003 | 525004 | 526003 | 526004 |

STAINLESS STEEL:

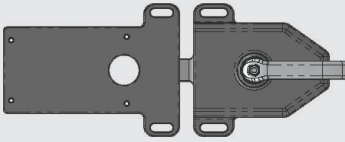
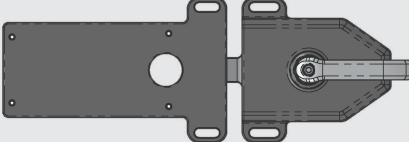
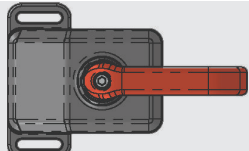
| | | | |
|---|---|--|---|
|  |  |  |  |
| TYPE: UGB2-KLT-SS-RFID | TYPE: UGB2-KLT-SS-RFID-RR | TYPE: UGB4-KLT-SS-RFID | TYPE: UGB4-KLT-SS-RFID-RR |
| Universal Gate Box (2 Station) | Universal Gate Box (2 Station) with Rear Release | Universal Gate Box (4 Station) | Universal Gate Box (4 Station) with Rear Release |
| 24V Solenoid M20 Conduit | 24V Solenoid M20 Conduit | 24V Solenoid M20 Conduit | 24V Solenoid M20 Conduit |
| SALES NUMBER (Manual Override) | SALES NUMBER(Manual Override) | SALES NUMBER(Manual Override) | SALES NUMBER(Manual Override) |
| 520001 | 520002 | 521001 | 521002 |
| SALES NUMBER (No Manual Override) | SALES NUMBER (No Manual Override) | SALES NUMBER (No Manual Override) | SALES NUMBER (No Manual Override) |
| 520003 | 520004 | 521003 | 521004 |

IMPORTANT NOTE: Order 22mm accessories (Switches, Lamps, Push Buttons) separately - please see next page.

ACCESSORIES FOR ENHANCED FUNCTIONS OF SLIDING FRONT/REAR HANDLES:

| | | | |
|--|---|--|---|
|  |  |  |  |
| UGB2 Sliding Front Handle and Mounting Plate | UGB4 Sliding Front Handle and Mounting Plate | Rear Sliding Handle (for use with RR versions and Sliding Front Handles) | Optional Spring Catch to prevent accidental re-closing of Sliding Front Handles |
| SALES NUMBERS | SALES NUMBERS | SALES NUMBERS | SALES NUMBERS |
| UGB2-SFH-M (Die-Cast) | UGB4-SFH-M (Die Cast) | REAR HANDLE (Die Cast) | SPRING CATCH (Die Cast) |
| 527001 | 527002 | 210005 | 210006 |
| UGB2-SFH-SS (Stainless Steel) | UGB4-SFH-SS (Stainless Steel) | REAR HANDLE (Stainless Steel) | SPRING CATCH (Stainless Steel) |
| 522001 | 522002 | 211005 | 211006 |

ACCESSORIES FOR ROTARY FRONT HANDLES & REAR ROTARY ESCAPE HANDLES:

| | | |
|---|---|--|
|  |  |  |
| Rotary Front Handle and Mounting Plate | Rotary Front Handle and Mounting Plate | Rear Escape Rotary Handle (Optional) |
| SALES NUMBERS | SALES NUMBERS | SALES NUMBERS |
| UGB2-RFH-M (Die Cast) | UGB4-RFH-M (Die Cast) | UGB-RERH-M (Die Cast) |
| 527003 | 527004 | 527005 |
| UGB2-RFH-SS (Stainless Steel) | UGB4-RFH-SS (Stainless Steel) | UGB-RERH-SS(Stainless Steel) |
| 522003 | 522004 | 522005 |

Universal Gate Box with Safety Interlocking TYPE: UGB-KLT

22mm ACCESSORIES FOR UGB-KLT (to be ordered separately):

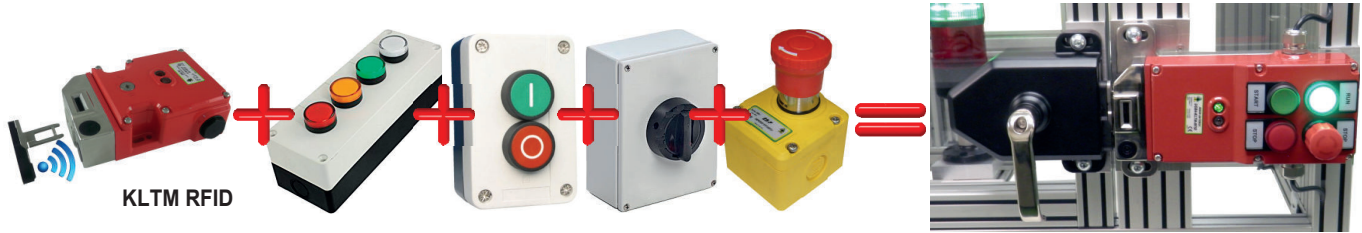


| SALES NUMBER | CONTACTS or VOLTAGE | DESCRIPTION | ELECTRICAL |
|--------------|---------------------|--|---|
| 522201 | 2NC | Compact Stop, Twist to Reset, Red 30mm Mushroom Head | AC-15 120Vac 1.5A 240Vac 1.0A DC-13 24Vdc 0.3A 125Vdc 0.2A |
| 522202 | 1NC 1NO | Compact Stop, Twist to Reset, Red 30mm Mushroom Head | |
| 522203 | 2NC | Compact Stop, Twist to Reset, Red 30mm Mushroom Head with Reset Key | |
| 522204 | 1NC 1NO | Compact Stop, Twist to Reset, Red 30mm Mushroom Head with Reset Key | |
| 522205 | 2NC | Compact Stop, Twist to Reset, Red 40mm Mushroom Head | |
| 522206 | 1NC 1NO | Compact Stop, Twist to Reset, Red 40mm Mushroom Head | |
| 522207 | 2NC | Compact Stop, Twist to Reset, Red 40mm Mushroom Head with Reset key | |
| 522208 | 1NC 1NO | Compact Stop, Twist to Reset, Red 40mm Mushroom Head with Reset key | |
| 522209 | 2NC | Compact Illuminated Stop, Twist to Reset, Red 32mm Mushroom Head with plug-in Spade Terminals (2.8 x 0.5mm), RED LAMP (5-30Vdc). | AC-15 120Vac 3A 24Vac 1.5A |
| 522210 | 1NC 1NO | Compact Illuminated Stop, Twist to Reset, Red 32mm Mushroom Head with plug-in Spade Terminals (2.8 x 0.5mm), RED LAMP (5-30Vdc). | DC-13 24Vdc 3A 250Vdc 0.27A |
| 522251 | 1NC 1NO | Compact 2 Positions Plastic Selector Switch | AC-15 120Vac 1.5A 240Vac 1.0A DC-13 24Vdc 0.3A 125Vdc 0.2A |
| 522252 | 2NC | Compact 2 Positions Plastic Selector Switch | |
| 522301 | 1NC 1NO | Compact Push Button Momentary - RED | |
| 522302 | 1NC 1NO | Compact Push Button Momentary - GREEN | |
| 522303 | 1NC 1NO | Compact Push Button Momentary - YELLOW | |
| 522304 | 1NC 1NO | Compact Push Button Momentary - BLUE | |
| 522305 | 1NC 1NO | Compact Push Button Momentary - WHITE | |
| 522310 | 2NC | Compact Push Button Momentary - RED | |
| 522311 | 2NC | Compact Push Button Momentary - GREEN | |
| 522312 | 2NC | Compact Push Button Momentary - YELLOW | |
| 522313 | 2NC | Compact Push Button Momentary - BLUE | |
| 522314 | 2NC | Compact Push Button Momentary - WHITE | |
| 522321 | 1NO | Compact Illuminated Push Button Momentary - RED (Lamp 24V ac/dc) | |
| 522322 | 1NO | Compact Illuminated Push Button Momentary - GREEN (Lamp 24V ac/dc) | |
| 522323 | 1NO | Compact Illuminated Push Button Momentary - YELLOW (Lamp 24V ac/dc) | |
| 522324 | 1NO | Compact Illuminated Push Button Momentary - BLUE (Lamp 24V ac/dc) | |
| 522325 | 1NO | Compact Illuminated Push Button Momentary - CLEAR (Lamp 24V ac/dc) | |
| 522401 | 24V ac/dc | Pilot Light LED - YELLOW | |
| 522402 | 24V ac/dc | Pilot Light LED - RED | |
| 522403 | 24V ac/dc | Pilot Light LED - GREEN | |
| 522404 | 24V ac/dc | Pilot Light LED - BLUE | |
| 522405 | 24V ac/dc | Pilot Light LED - CLEAR | |
| 522451 | | Legend Holder for use with 22 mm Devices | |
| 522452 | | Blanking Plug for sealing unused 22mm holes | |

Universal Gate Box with Safety Interlocking TYPE: UGB-KLT

UGB-KLT GATEBOX SOLUTION:

All-in-one control and safety interlocking with RFID coding.



PROBLEM:

A traditional control installation requires several external components and housings for switches, push buttons, lamps, etc. All of these external components require individual mounting brackets and also require several conduit/cable runs.

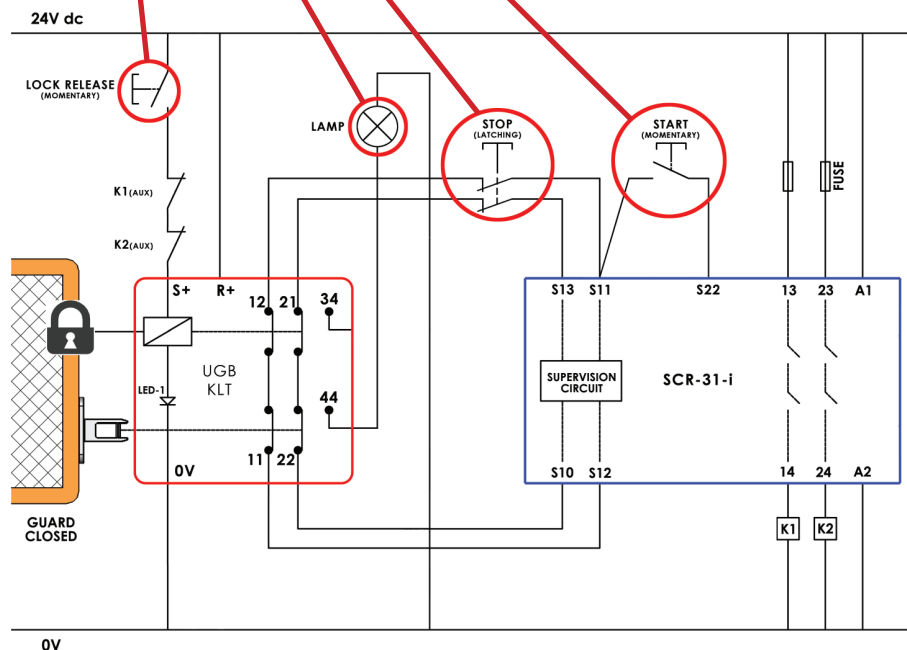
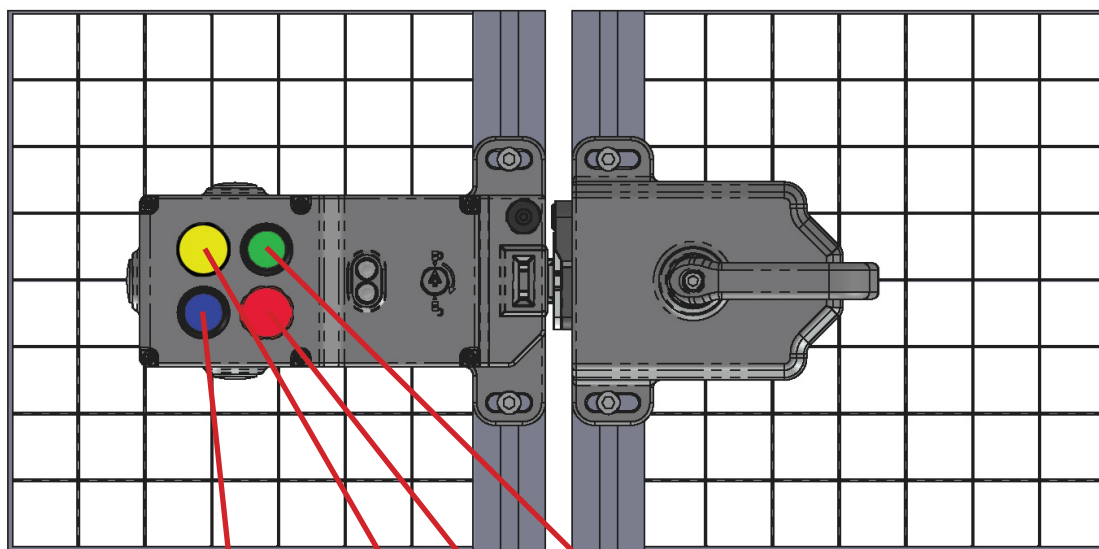
THE SOLUTION: UGB-KLT GATEBOX

Only 4 mounting bolts, options for sliding or rotary handles, emergency release options and can use only one conduit exit for wiring.

Up to 4 x 22mm pushbuttons, switches or lamps can be fitted integrally.

RFID interlocking with LED diagnostics provides high functional safety interlocking.

Holds guards closed and locked up to 3000N.



SCHEMATIC EXAMPLE:

UGB-KLT fitted with integral LATCHING STOP, STATUS PILOT LAMP, START and LOCK RELEASE buttons.

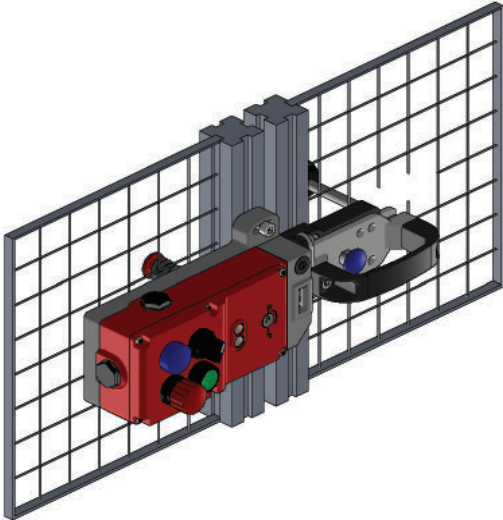
Connected to a safety relay to give up to PLe/ Cat 4.

Universal Gate Box with Safety Interlocking TYPE: UGB4-KLT

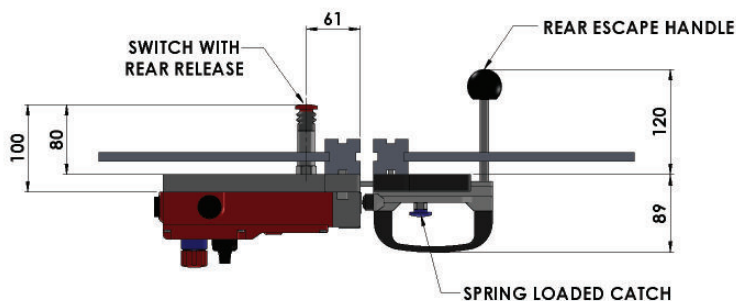
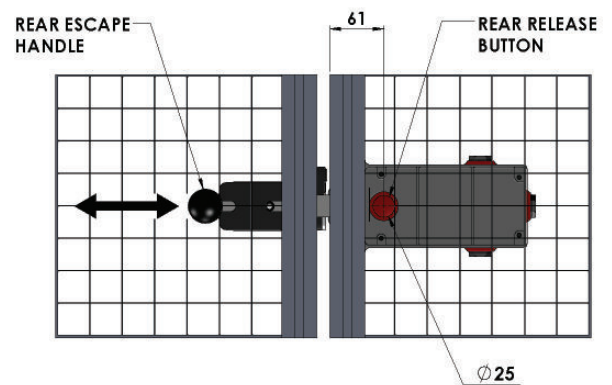
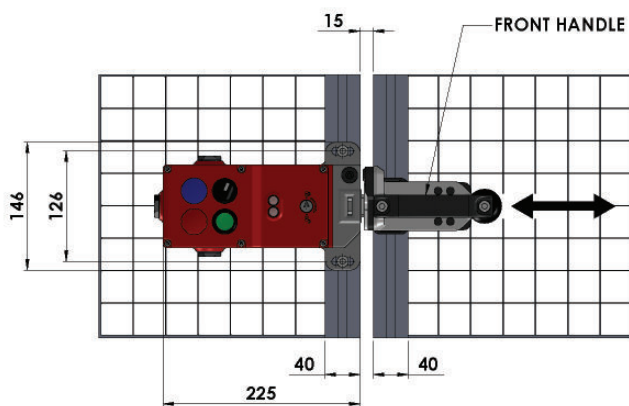
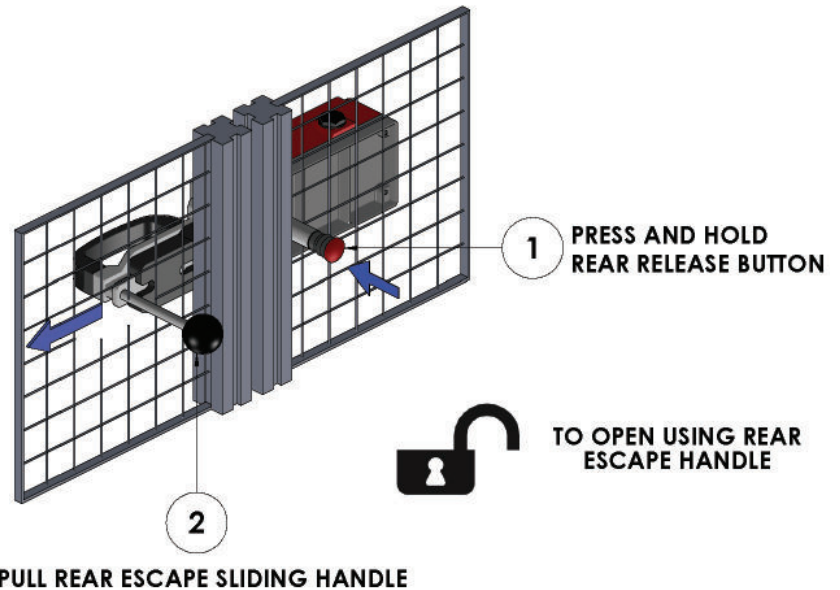
APPLICATION EXAMPLE:

4 STATION (UGB4) with Front Sliding Handle, Rear Escape Button and Rear Escape Sliding Handle.
Fitted with Spring Loaded Catch (optional) – to prevent accidental closing after opening of the guard.

VIEWED FROM OUTSIDE GUARDED AREA



VIEWED FROM INSIDE GUARDED AREA



| DESCRIPTION | SALES NUMBER |
|---------------------------------------|--------------|
| UGB4-KLTM-RFID-RR | |
| With LID Manual Override, or | 526002 |
| With NO Manual Override | 526004 |
| UGB4-SFH-M (Sliding Front Handle) | 527002 |
| Rear Release Handle (Stainless Steel) | 210005 |
| Spring Loaded Catch (Stainless Steel) | 210006 |

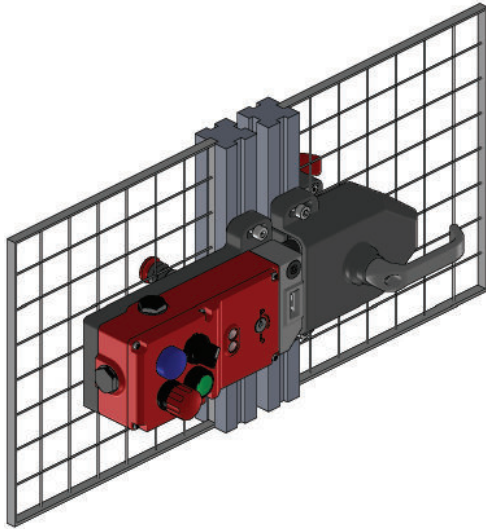
ORDER SEPARATELY:
22mm Push Buttons, Switches, Lamps - See P80.

Universal Gate Box with Safety Interlocking TYPE: UGB4-KLT

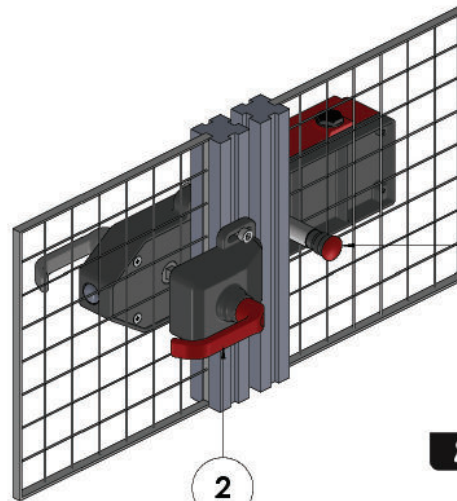
APPLICATION EXAMPLE:

4 STATION (UGB4) with Front Rotary Handle, Rear Escape Button and Rear Escape Rotary Handle.

VIEWED FROM OUTSIDE GUARDED AREA



VIEWED FROM INSIDE GUARDED AREA



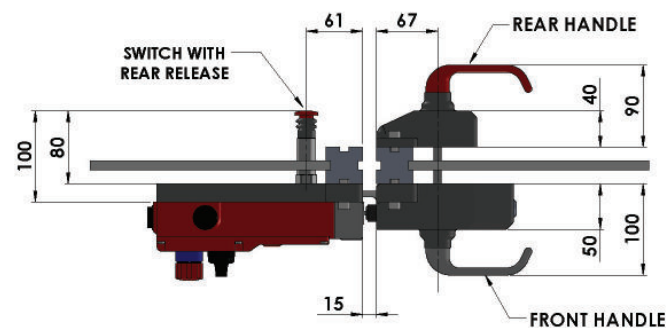
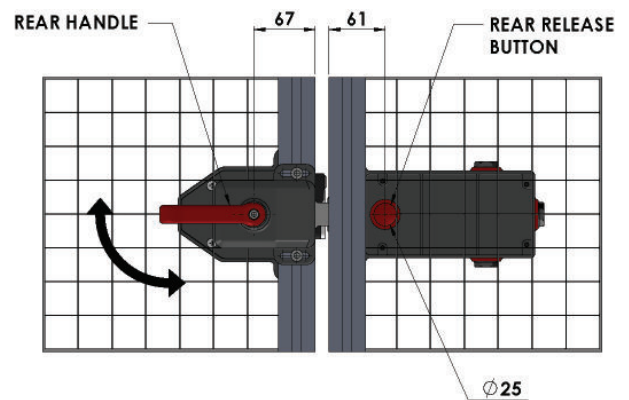
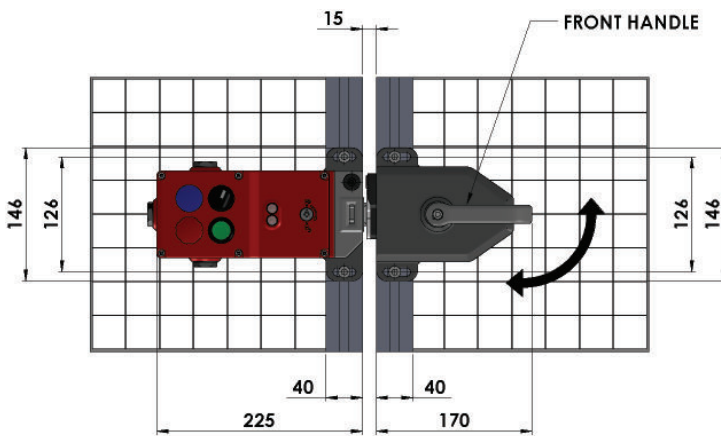
1 PRESS AND HOLD REAR RELEASE BUTTON



TO OPEN USING REAR HANDLE

2

TURN REAR HANDLE ANTI-CLOCKWISE



| DESCRIPTION | SALES NUMBER |
|--|--------------|
| UGB4-KLTM-RFID-RR | |
| With LID Manual Override, or | 526002 |
| With NO Manual Override | 526004 |
| UGB4-RFH-M (Rotary Front Handle) | 527004 |
| UGB-RERH-M (Rear Escape Rotary Handle) | 527005 |

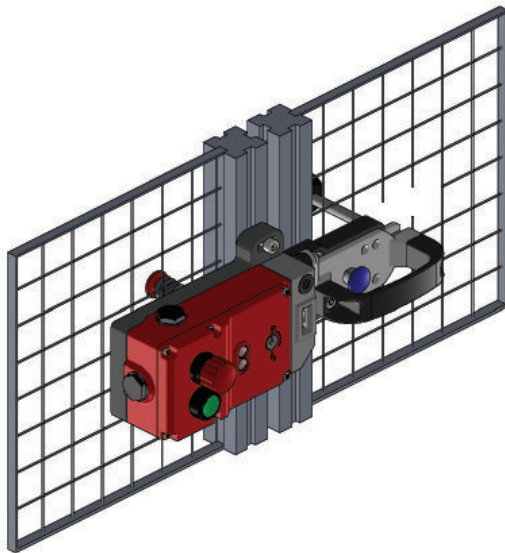
ORDER SEPARATELY:
22mm Push Buttons, Switches, Lamps - See P80.

Universal Gate Box with Safety Interlocking TYPE: UGB2-KLT

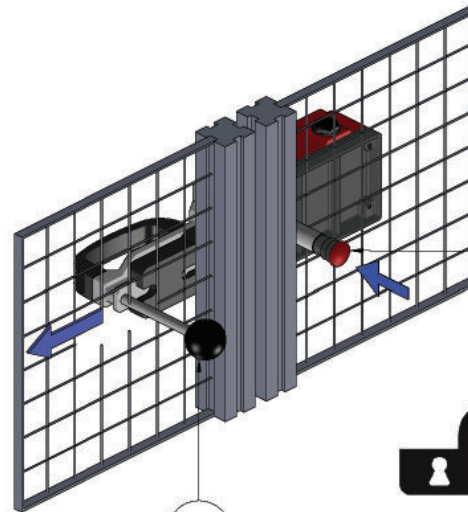
APPLICATION EXAMPLE:

2 STATION (UGB2) with Front Sliding Handle, Rear Escape Button and Rear Escape Sliding Handle.
Fitted with Spring Loaded Catch – to prevent accidental closing after opening of the guard (optional).

VIEWED FROM OUTSIDE GUARDED AREA

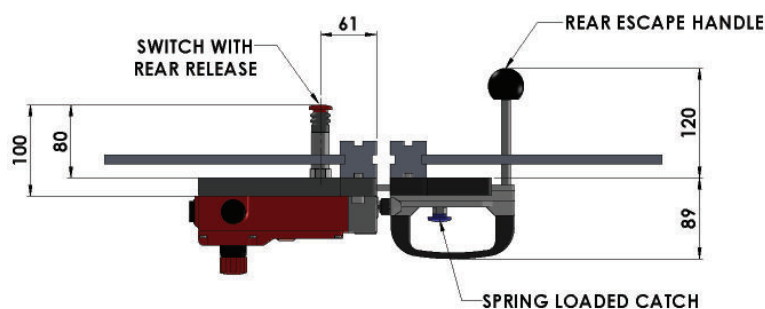
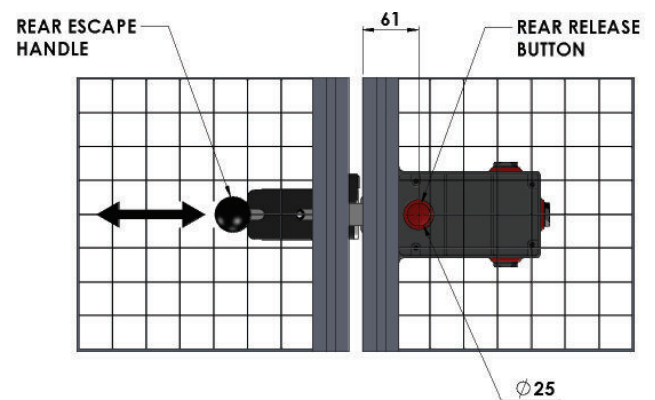
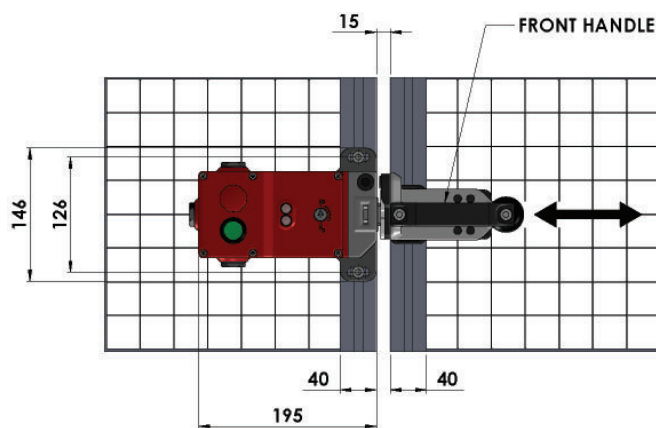


VIEWED FROM INSIDE GUARDED AREA



TO OPEN USING REAR ESCAPE HANDLE

PULL REAR ESCAPE SLIDING HANDLE



| DESCRIPTION | SALES NUMBER |
|---------------------------------------|--------------|
| UGB2-KLTM-RFID-RR | |
| With LID Manual Override, or | 525002 |
| With NO Manual Override | 525004 |
| UGB2-SFH-M (Sliding Front Handle) | 527001 |
| Rear Release Handle (Stainless Steel) | 210005 |
| Spring Loaded Catch (Stainless Steel) | 210006 |

ORDER SEPARATELY:

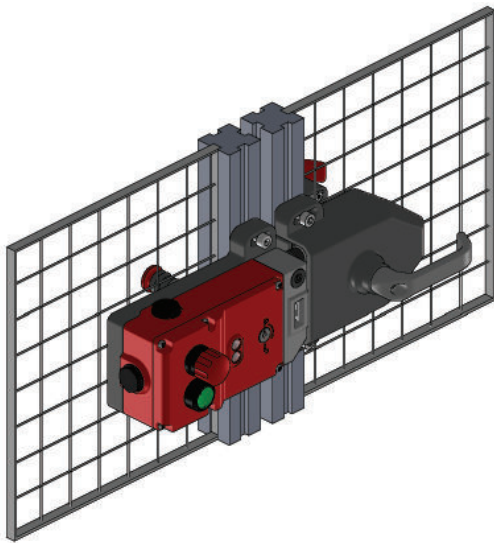
22mm Push Buttons, Switches, Lamps - See P80.

Universal Gate Box with Safety Interlocking TYPE: UGB2-KLT

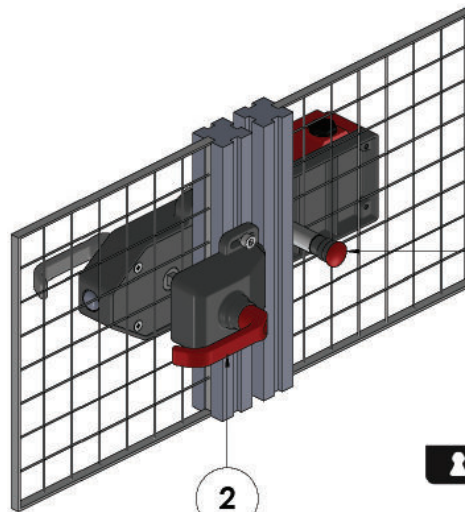
APPLICATION EXAMPLE:

2 STATION (UGB2) with Front Rotary Handle, Rear Escape Button and Rear Escape Rotary Handle.

VIEWED FROM OUTSIDE GUARDED AREA



VIEWED FROM INSIDE GUARDED AREA



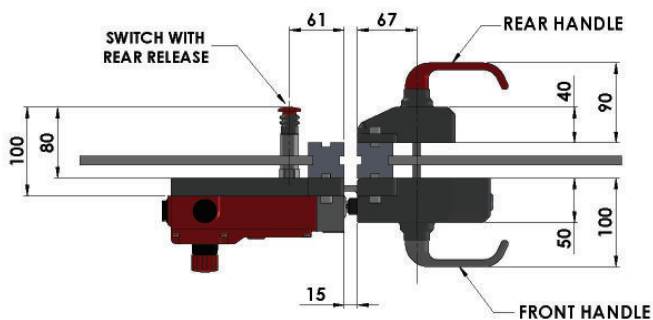
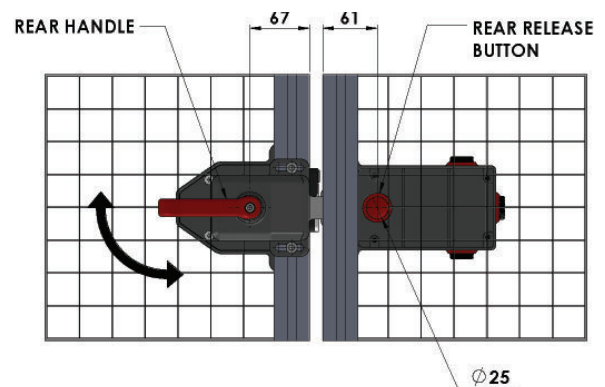
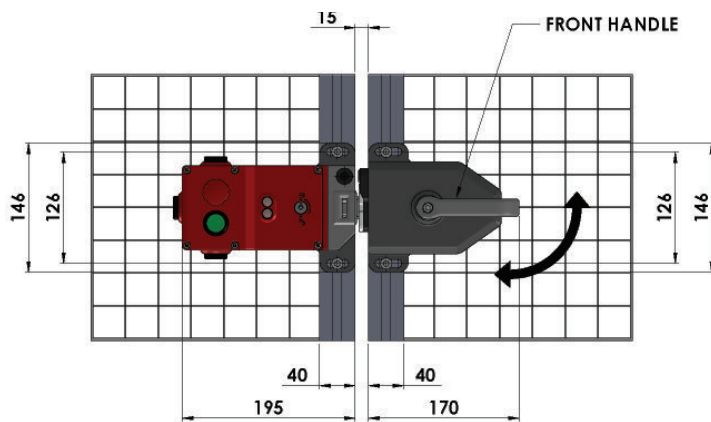
1 PRESS AND HOLD REAR RELEASE BUTTON



TO OPEN USING REAR HANDLE

2

TURN REAR HANDLE ANTI-CLOCKWISE



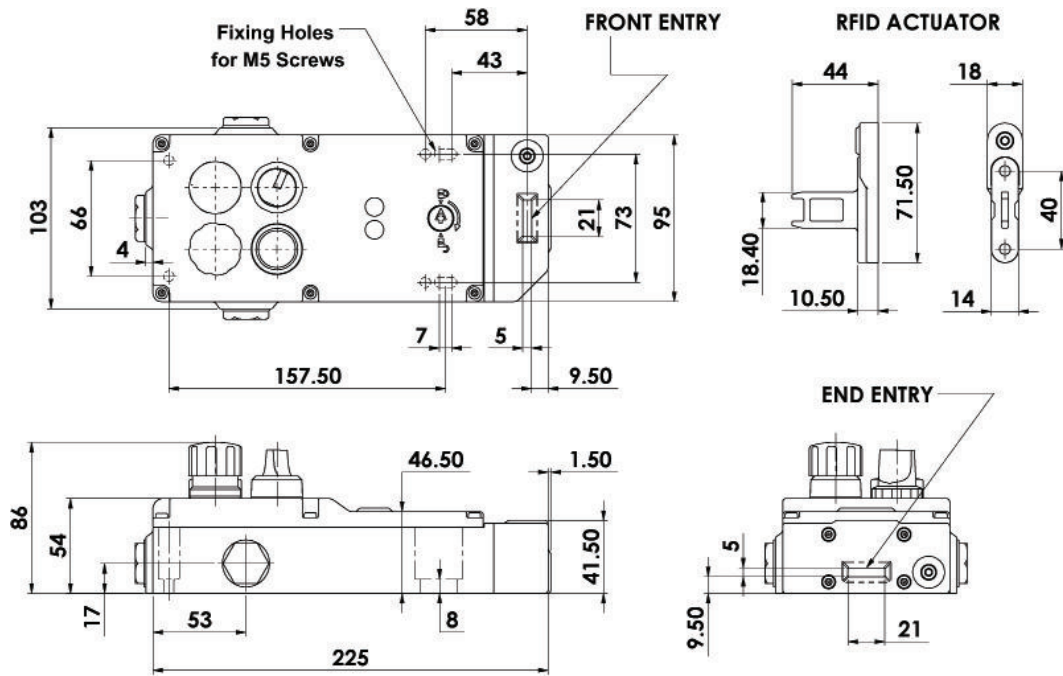
| DESCRIPTION | SALES NUMBER |
|--|--------------|
| UGB2-KLTM-RFID-RR | |
| With LID Manual Override, or | 525002 |
| With NO Manual Override | 525004 |
| UGB2-RFH-M (Rotary Front Handle) | 527003 |
| UGB-RERH-M (Rear Escape Rotary Handle) | 527005 |

ORDER SEPARATELY:
22mm Push Buttons, Switches, Lamps - See P80.

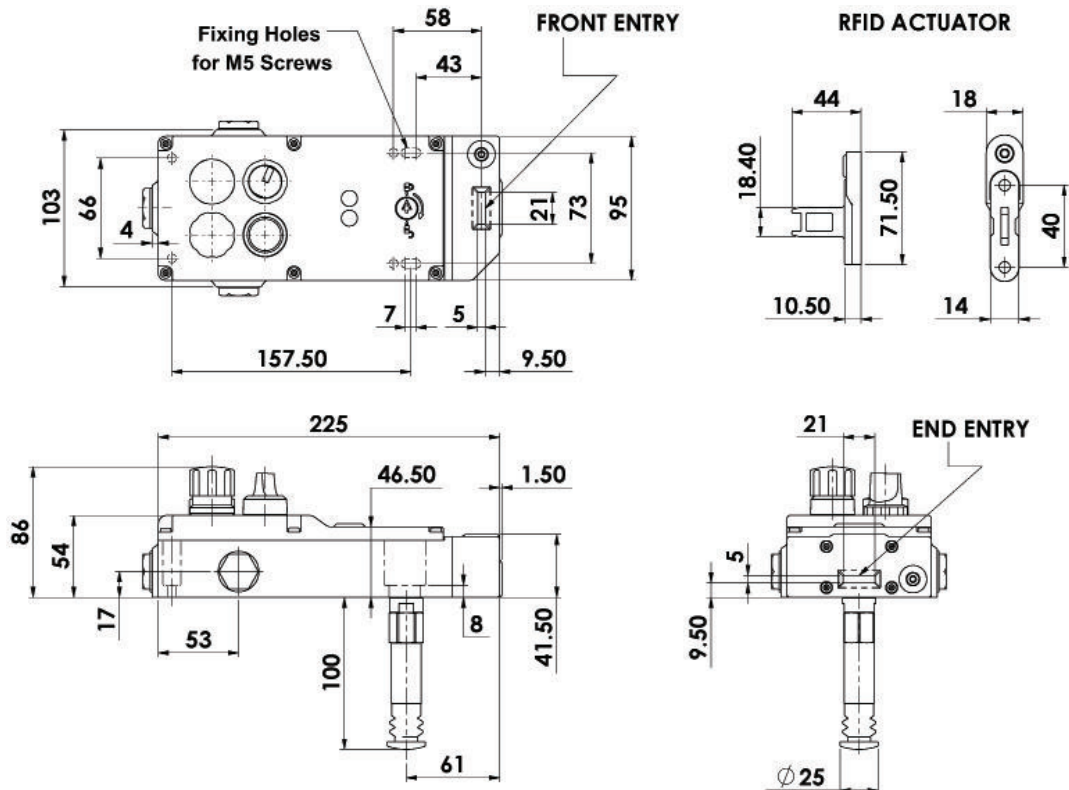
Universal Gate Box with Safety Interlocking TYPE: UGB-KLT

PRODUCT DIMENSIONS:

TYPE: UGB 4-KLTM-RFID



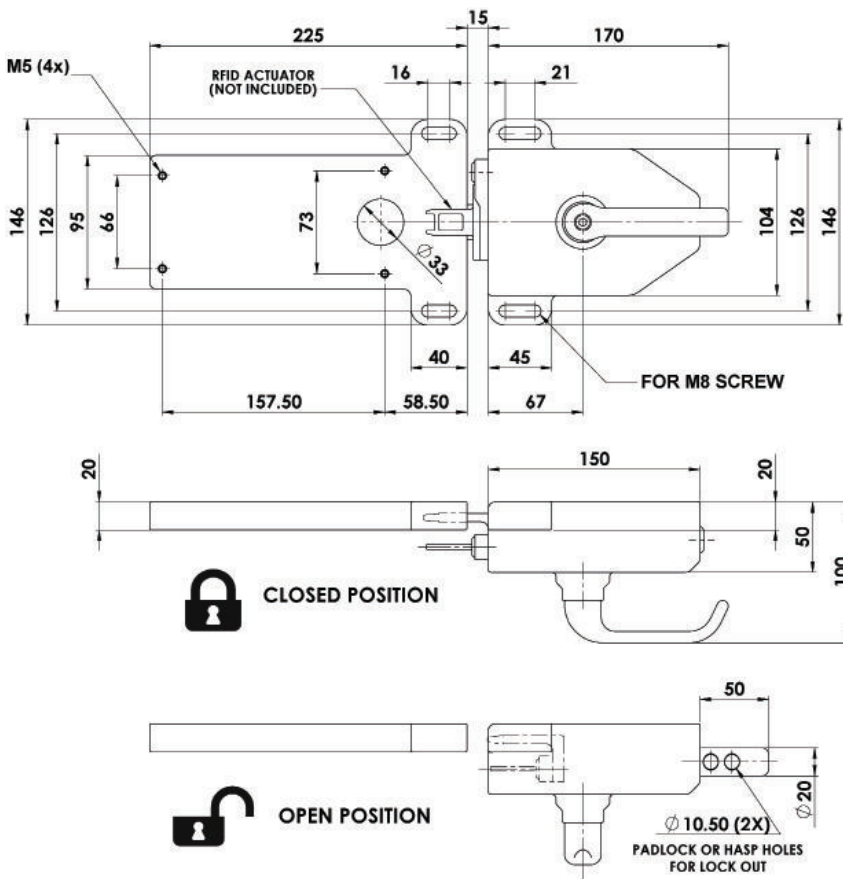
TYPE: UGB 4-KLTM-RFID-RR (Rear Release)



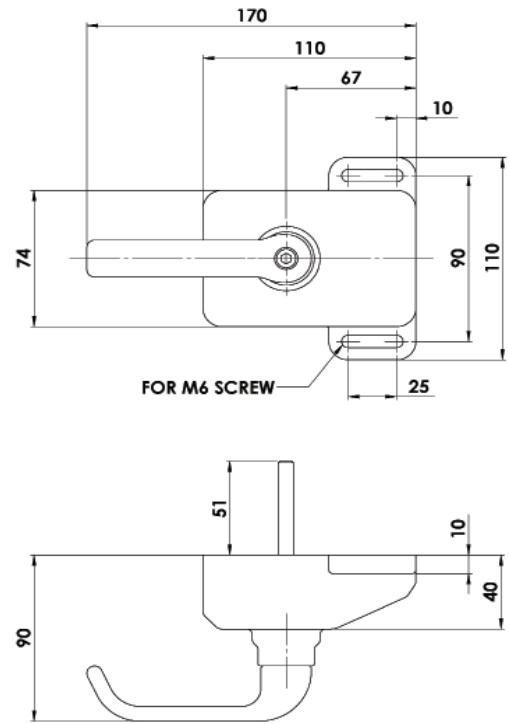
Universal Gate Box with Safety Interlocking TYPE: UGB-KLT

PRODUCT DIMENSIONS:

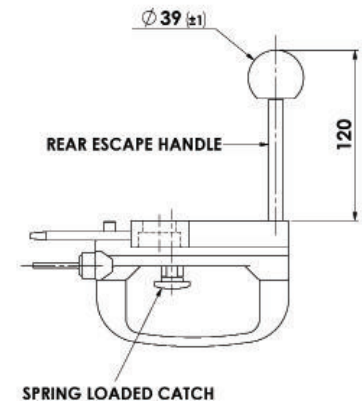
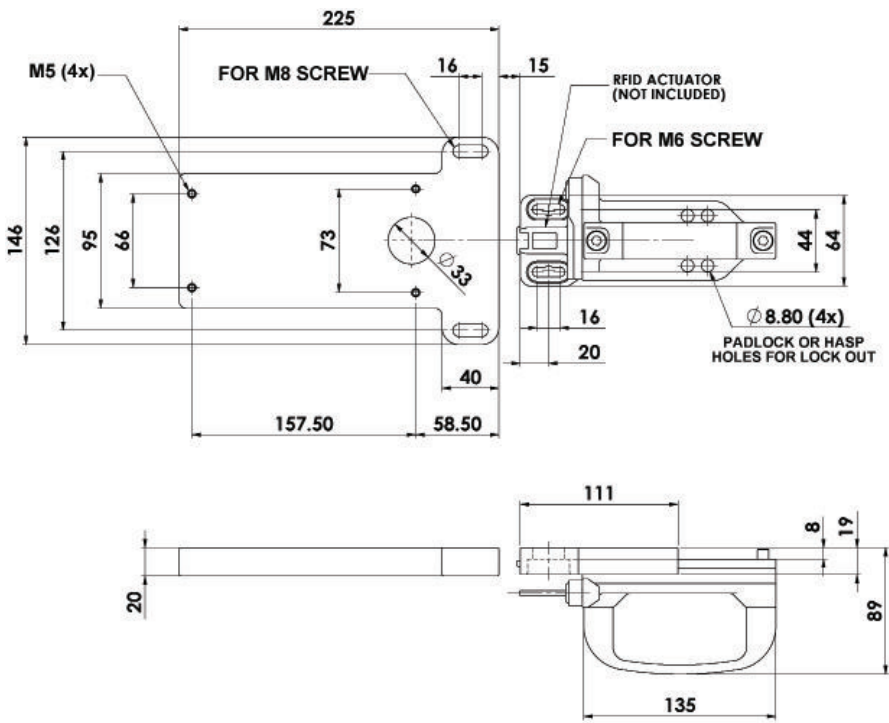
TYPE : UGB 4- ROTARY HANDLE (4 x APP)



TYPE : UGB-ROTARY REAR HANDLE



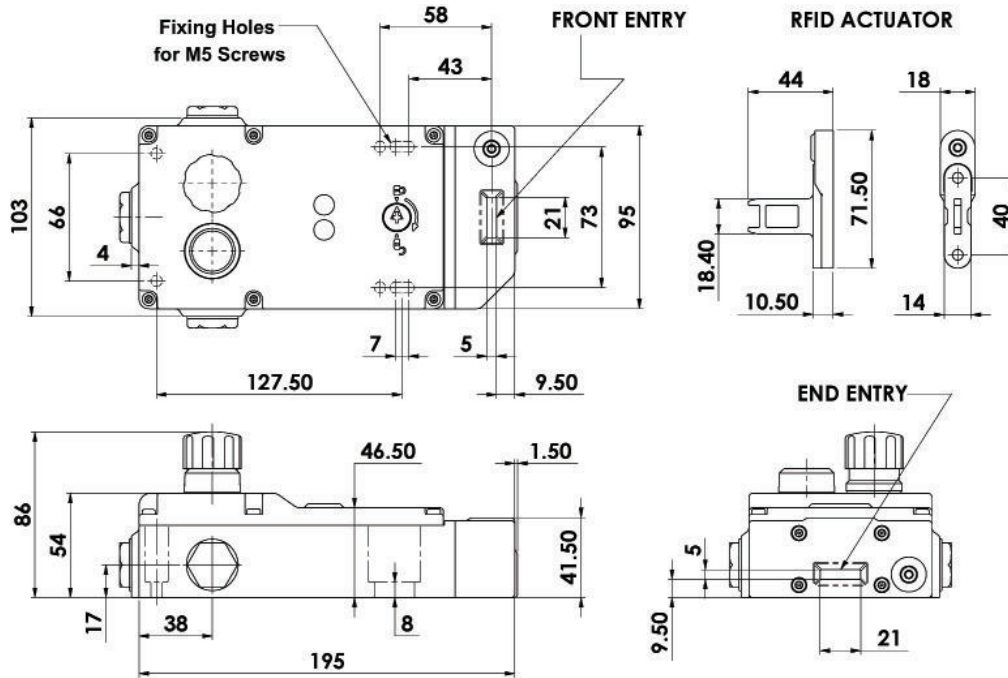
TYPE : UGB 4 SLIDING HANDLE (4 x APP)



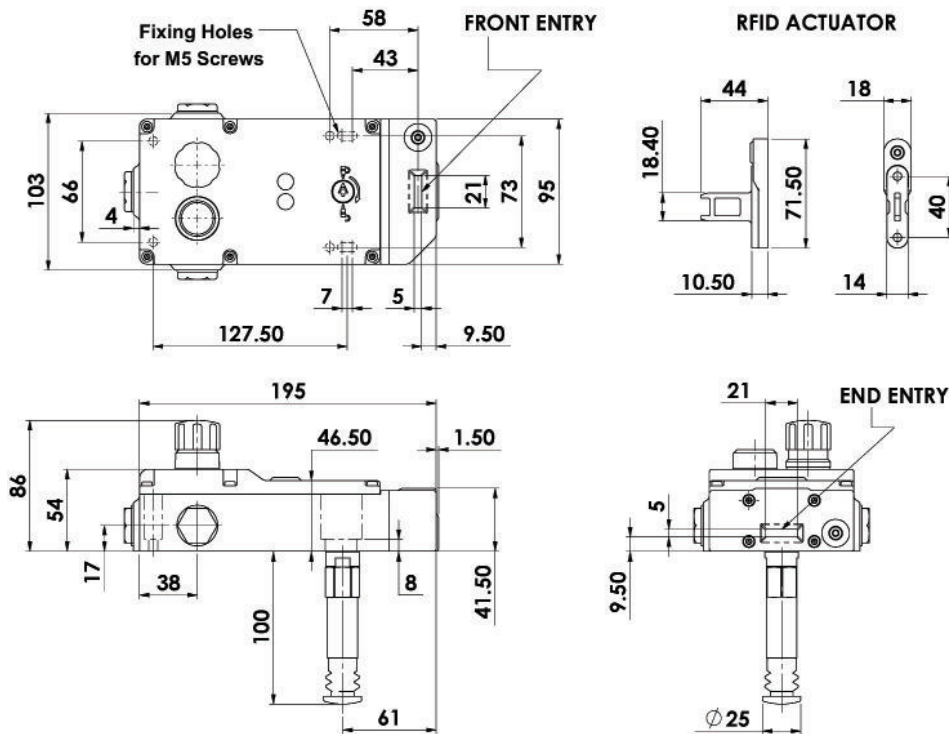
Universal Gate Box with Safety Interlocking TYPE: UGB-KLT

PRODUCT DIMENSIONS:

TYPE: UGB 2-KLTM-RFID



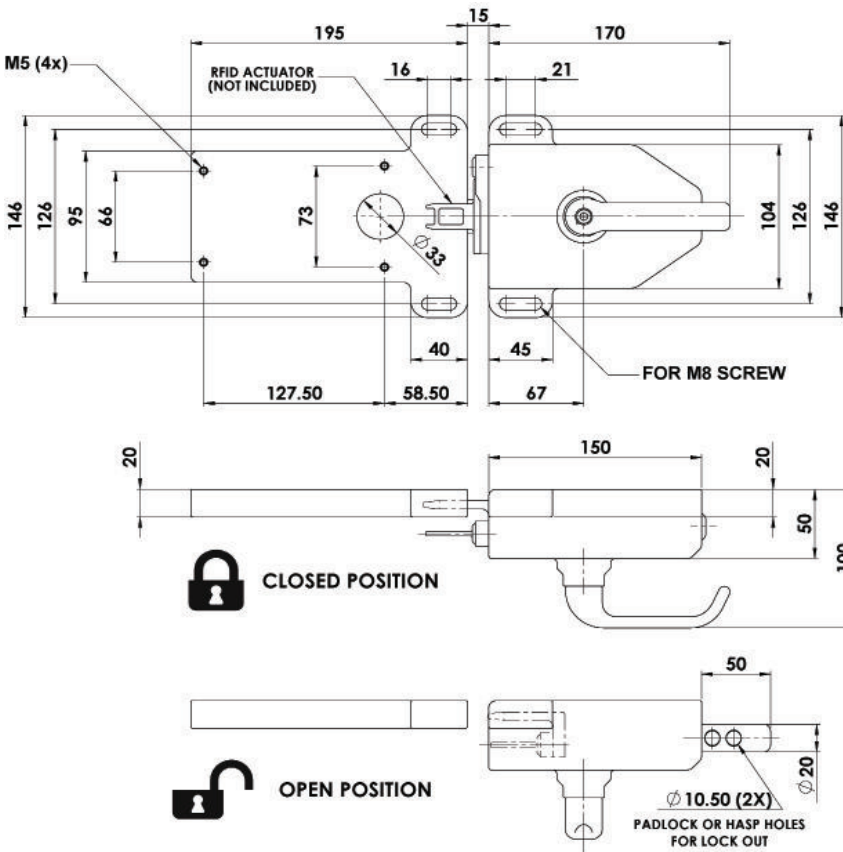
TYPE: UGB 2-KLTM-RFID-RR (Rear Release)



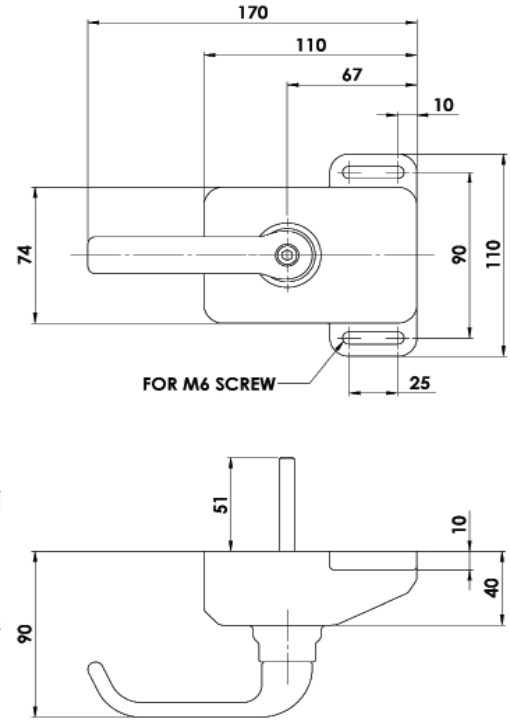
Universal Gate Box with Safety Interlocking TYPE: UGB-KLT

PRODUCT DIMENSIONS:

TYPE : UGB 2- ROTARY HANDLE (2 x APP)



TYPE : UGB-ROTARY REAR HANDLE



TYPE : UGB 2 SLIDING HANDLE (2 x APP)

