




3-phase comm.link PKZM0..f.1 aux.cont.



Powering Business Worldwide™

Part no. B3.1/4-PKZ0
Article no. 044947
Catalog No. XTPAXCLKB4

Delivery programme

			
Product range			Accessories
Accessories			Three-phase commoning link
			Protected against accidental contact, short-circuit proof, $U_e = 690\text{ V}$, $I_u = 63\text{ A}$ Can be extended by rotating by installation Attached on the right, for motor-protective circuit-breakers, with an auxiliary contact or trip-indicating auxiliary contact
For use with			Three-phase commoning link PKZ0, PKE
Circuit-breaker		Number	4
Length		mm	207
Unit width		mm	45 + 9
Notes			
For parallel power feed to several motor-protective circuit-breakers on terminals 1, 3, 5			

Approvals

Product Standards	UL 508; CSA-C22.2 No. 14; IEC60947-4-1; CE marking
UL File No.	E36332
UL Category Control No.	NLRV
CSA File No.	98494
CSA Class No.	3211-06
North America Certification	UL listed, CSA certified
Specially designed for North America	No

Main conducting paths

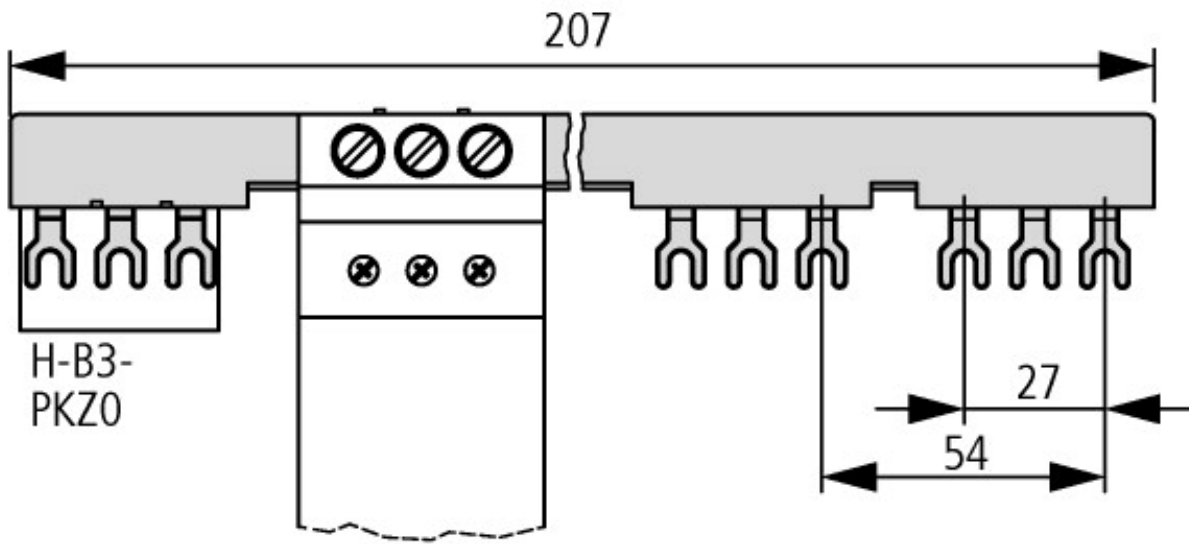
Rated impulse withstand voltage	U_{imp}	V AC	6000
Overtoltage category/pollution degree			III/3
Rated operational voltage	U_e	V AC	690
Rated uninterrupted current	I_u	A	63

Technical data ETIM 5.0

Low-voltage industrial components (EG000017) / Phase busbar (EC000215)
 Electric engineering, automation, process control engineering / Low-voltage switch technology / Component for low-voltage switching technology / Phase busbar
 (ecl@ss8-27-37-13-06 [ACN992007])

Number of phases			3
Suitable for number of devices			2
Pitch dimensions		mm	54
Cross section		mm ²	0
Length		mm	207
Rated permanent current I_u		A	63
Type of electric connection			Fork
Insulated			Yes
Rated surge voltage		kV	6
Conditioned rated short-circuit current I_q		kA	0
Max. rated operation voltage U_e		V	690
Rated short-time withstand current I_{cw}		kA	0
Suitable for devices with N-busbar			No
Suitable for devices with auxiliary switch			No

Dimensions



Three-phase commoning link

Additional product information (links)

AWA1210-2295 Three-phase commoning link

AWA1210-2295 Three-phase commoning link

ftp://ftp.moeller.net/DOCUMENTATION/AWA_INSTRUCTIONS/22950506.pdf

Motor starters and "Special Purpose Ratings" for the North American market

http://www.moeller.net/binary/ver_techpapers/ver953en.pdf

Busbar Component Adapters for modern Industrial control panels

http://www.moeller.net/binary/ver_techpapers/ver960en.pdf