

Robust Joystick J4 Base

Robust, top mounted.

The J4 robust joystick is ideal for high-stress and high-frequency use thanks to its robust design. It was designed for use in mobile machinery, such as wheel loaders for operating the bucket functions.

Technical specifications

- Robust joystick for installation from above
- Space-saving design
- High reliability and long service life thanks to contactless Hall-effect and reed technology
- Available with different output signals: analogue, redundant, CAN bus connection (CANopen/SAEJ1939) or with switching output
- IP67 protection class of electronics, ideal for harsh environmental conditions
- Deflection $\pm 20^\circ$
- Available with various actuation types: no-detent, detent, with friction brake or centre position interlock, any function can be optimally operated
- Designed for extremely heavy loads (x-/y-axis: 2000 N, z-axis: 700 N at 190 mm lever length each)

Technical drawing

IMAGE 1/3

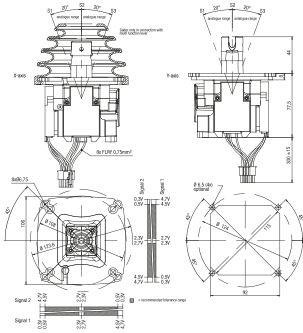
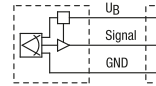


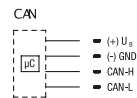
IMAGE 2/3

Standard

Analogue each X- and Y-axis

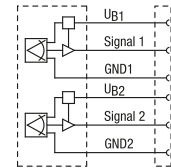


CAN

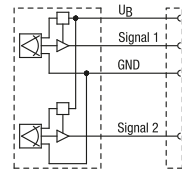


Optional

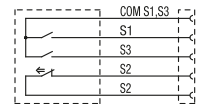
Redundant each X- and Y-axis



Semi-redundant each X- and Y-axis



Switching output each X- and Y-axis



Electrical data

Attribute	J4C6...CANopen
Operating voltage min.	9 V DC
Operating voltage max.	36 V DC
Current consumption	< 120 mA
Technology	Hall
Protocol	CANopen
Transmitting cycle	100 ms
Baud rate	250 kBit/s
Bus terminating resistor	no

Mechanical data

Attribute	J4C6...CANopen
Max. lever load with specified lever length	190 mm / 2000 N
Deflection	$\pm 20^\circ$
Service life, mechanical (Cycles)	2000000

Material information

Attribute	J4C6...CANopen
Housing material	Zinc diecasting Z410
Shaft material	Zinc diecasting Z410
Gaiter material	EPDM

Environmental conditions

Attribute	J4C6...CANopen
Protection class, electronic	IP67 DIN EN 60529
Operating temperature min.	-25 °C
Max. operating temperature	85 °C
Min. storage temperature	-40 °C
Max. storage temperature	85 °C

Installation

Attribute	J4C6...CANopen
Installation	from above
Mounting type	screwed from above

Connection

Attribute	J4C6...CANopen
Cable type	FLRY