
NB01R556-M (ORDER NO. 085246)

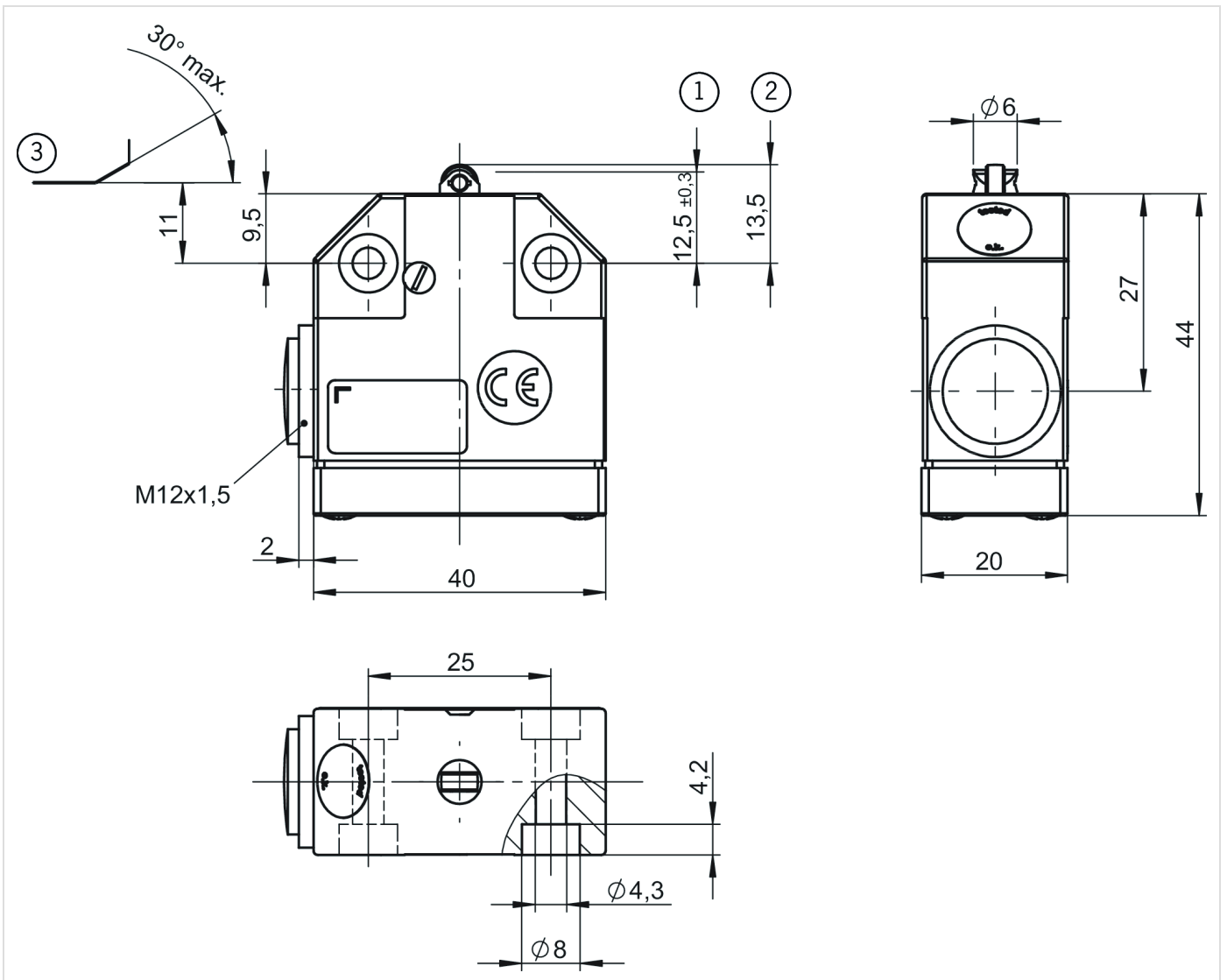
Precision single limit switch NB01, roller plunger

- ▶ Plunger material stainless steel
- ▶ Cable entry M12 x 1.5



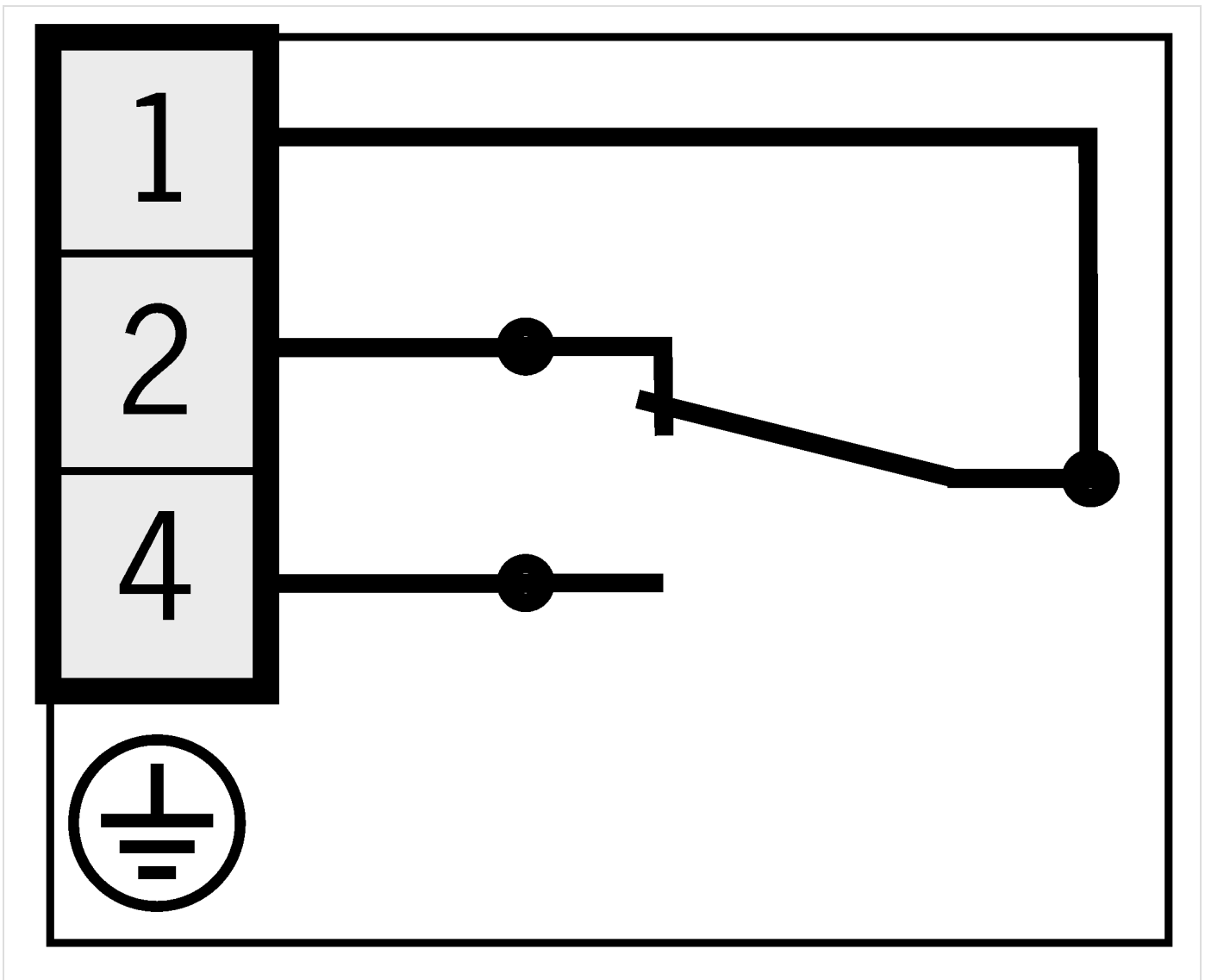
Description

Dimension drawings



- 1 Operating point
- 2 Free position
- 3 Dog

Connection examples



Technical data

Approvals



Electrical connection ratings

Connection cross-section	0.14 ... 1 mm ² (Screw terminal)
Rated impulse withstand voltage U_{imp}	2.5 kV
Rated insulation voltage U_i	250 V
Short circuit protection according to IEC 60269-1	6A gG
Switching current	
	min. at DC 24V 10 mA
thermal rated current I_{th}	6 A
Utilization category	
	AC-15 2A 230V
	DC-13 2A 24V

Mechanical values and environment

Actuating element

	Slide bearing metal	Roller plunger (D roller = 5 mm)
Actuating force		15 ... 20 N
Ambient temperature		-5 ... +80 °C
Approach speed		0.01 ... 50 m/min
Connection		
	1 x	M12 x 1.5
Degree of protection		IP67
Installation orientation		any
Material		
	Housing	Anodized die-cast alloy
	Contact	Silver alloy, gold flashed
Mechanical life		10 x 10 ⁶
Number of door position NC contacts		1 (Changeover contact)
Number of door position NO contacts		1 (Changeover contact)
Switching principle		Changeover contact with snap-action function
Tightening torque		
	Switching element screw terminal	max. 0.2 Nm Hexagon socket AF 1.3 mm

Contacts

🏠 EUCHNER GmbH + Co. KG
Kohlhammerstraße 16
70771 Leinfelden-Echterdingen

📞 +49 711 7597-0

📠 +49 711 753316

✉ info(at)euchner.de