

Zucchini

Low-Medium Power

High Power



CATALOGUE 2010-2011

 **legrand**[®]

www.legrand.be

Coordination table with Legrand DPX MCCBs

SL, MS, SB, MR Switch-Busbar coordination table.
Contingent short circuit kA eff. (50/60 Hz - 380/415 V)

	SL 40A	SL - MS 63A	MS 100A	MS MR 160A	MR 250A	MR 315A	MR 400A	MR 500A	MR 630A	MR 800A	MR 1000A
DPX 125 I _{cw} 16kA - 40A	16	16									
DPX 125 I _{cw} 25kA - 40A	25	25									
DPX 125 I _{cw} 36kA - 40A	36	36									
DPX 125 I _{cw} 16kA - 63A		16	16								
DPX 125 I _{cw} 25kA - 63A		25	25								
DPX 125 I _{cw} 36kA - 63A		36	36								
DPX 125 I _{cw} 16kA - 100A			16								
DPX 125 I _{cw} 25kA - 100A			25								
DPX 125 I _{cw} 36kA - 100A			36								
DPX 160 I _{cw} 25kA - 160A			25	25							
DPX 160 I _{cw} 36kA - 160A			36	36							
DPX 160 I _{cw} 50kA - 160A			50	50							
DPX 250ER I _{cw} 25kA - 250A				25	25						
DPX 250ER I _{cw} 36kA - 250A				36	36						
DPX 250ER I _{cw} 50kA - 250A				50	50						
DPX 250 I _{cw} 36kA - 250A				36	36						
DPX 250-H I _{cw} 70kA - 250A				70	70						
DPX 250-L I _{cw} 100kA - 250A				100	100						
DPX 630 I _{cw} 36kA - 400A						36	36				
DPX 630-H I _{cw} 70kA - 400A						70	70				
DPX 630-L I _{cw} 100kA - 400A						100	100				
DPX 630 I _{cw} 36kA - 630A								36	36		
DPX 630-H I _{cw} 70kA - 630A								70	70		
DPX 630-L I _{cw} 100kA - 630A								100	100		
DPX 1250 I _{cw} 50kA - 800A									50	50	
DPX 1250-H I _{cw} 70kA - 800A									70	70	
DPX 1250-L I _{cw} 100kA - 800A									100	100	
DPX 1250 I _{cw} 50kA - 1000A										50	50
DPX 1250-H I _{cw} 70kA - 1000A										70	70
DPX 1250-L I _{cw} 100kA - 1000A										100	100

Note for Lexic mini circuit breakers

The Zucchini Busbar Trunking Systems, specified herein, are protected by Lexic MCBs up to their breaking capacity

LOW POWER

**LB
LIGHTING BUSWAY**

25 - 40A



page **1**

**HL
HIGH LIGHTING**

25 - 40A



page **21**

**SL
SERIE LUCE**

40 - 63A



page **43**

MEDIUM POWER

**MS
MINI SBARRA**

63 - 100 - 160A



page **57**

**MR
MEDIUM RATING**

160 - 1000A



page **73**

**TS
TROLLEY SYSTEM**

63 - 250A



page **109**

**TECHNICAL
INFORMATION**

page **127**

Integrated solutions for global projects

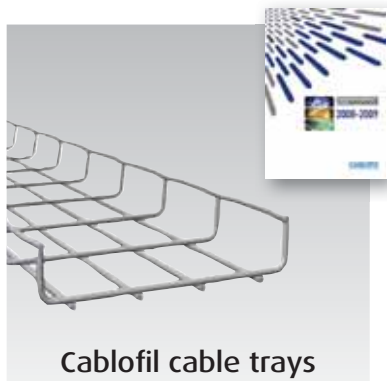
Legrand is the world specialist in products and systems for electrical installations and information networks:

- Distribution, automation panels and protection equipment
- Cable management (trunking, cable trays and wire mesh)
- Busbars and lighting busbars

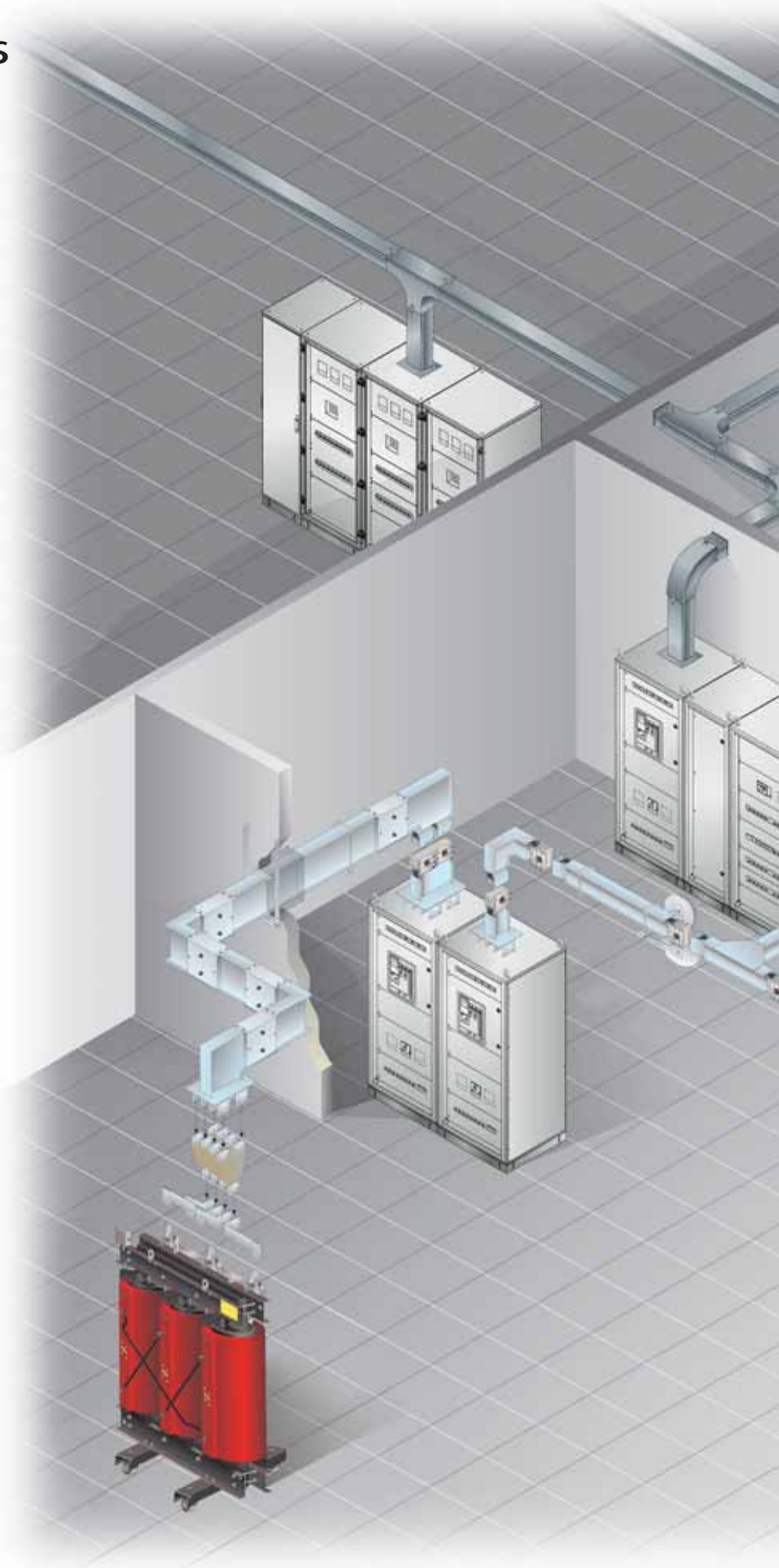
Every product and system needed for distributing energy and protecting people and property.

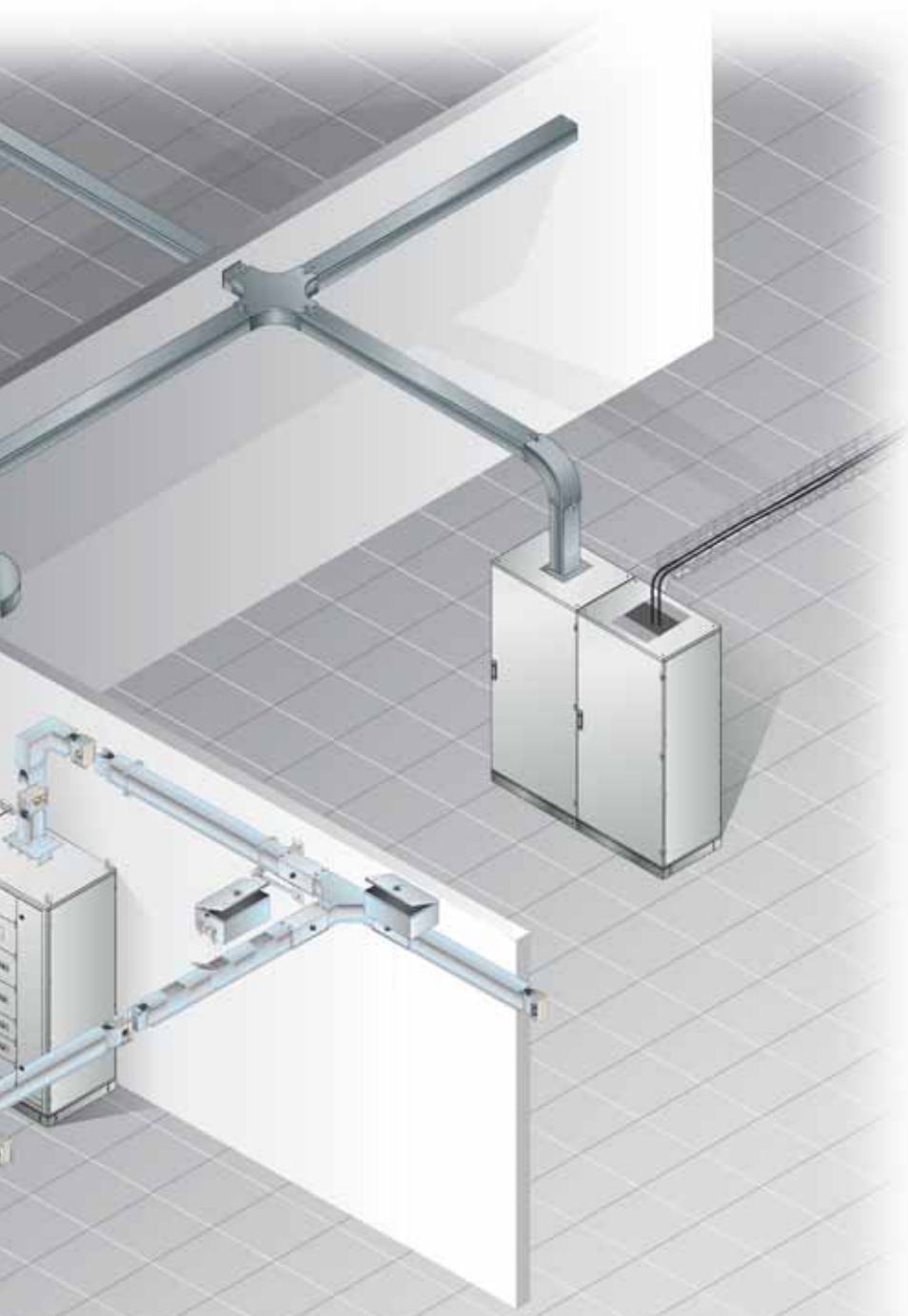


 **legrand®**



CABLOFIL®

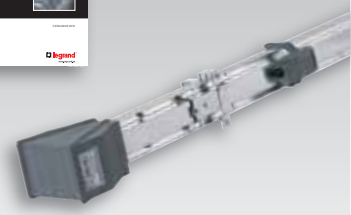
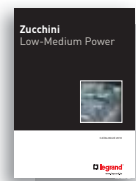




DMX, DPX,
DX circuit breakers



XL³ distribution cabinets



Zucchini busbars



In a context of accelerated globalization and increasingly complex projects, the support of a reliable and competent partner is absolutely essential, a real key to the success of your company. Choosing the Legrand Group means the assurance of benefiting from global expertise throughout the world thanks to its strong local presence. A vast choice of carefully styled products compose solutions which in turn form coherent systems incorporating the latest technological innovations. Choosing Legrand also means you are sure to be assisted by professionals at your service any time, from your project's design through to its completion.

Basic concepts for busbars

The busbar is the most modern solution for the distribution of energy in an installation for machinery, equipment and lighting fittings, in all types of buildings such as warehouses, trade fairs, or any place where the pace of installation operations provide tangible benefits immediately, but also continue to cumulate benefits at every maintenance intervention or modification. The busbar is also frequently used to power the (horizontal and vertical) backbones of buildings used for the commercial-service sectors, thus observing the time required for the installation and providing a final solution with remarkable technical advantages compared to an equivalent traditional system made with cables.

Zucchini's busbars, available in 3 segmented ranges (Low Power, Medium Power and High Power), are able to meet all installation requirements, from 25A to over 5000A.



■ EASY TO DESIGN

The electric design of the busbars is achieved by Zucchini in compliance with the product Standards. The rated current of our busbars is guaranteed at a room temperature of 40 °C (n.d.r. the Standard requires 35 °C). After choosing the busbar which is able to meet the operating current regulations, it will be very easy to verify the voltage drop as well as the protection against overcurrents by using the technical tables available for all our production lines. In particular, these tables define: the short circuit and peak currents that can be supported by the busbar waiting for the protection device located upstream to start operating, the specific voltage drop based on the average cos phi of the loads, the losses and other data (R, X, Rpe, etc.) which allow the planning engineer to carry out calculations with electric values, which are not estimated but the result of measurements made during heating and short circuit tests (in certified LOVAG laboratories), which have certified all our product lines.

When using busbars, the load protection is located very close to the device (decentralized protection); junction boxes can contain protection devices such as thermal magnetic circuit breakers, fuse carriers and motorized switches which allow you to easily and efficaciously manage the system.

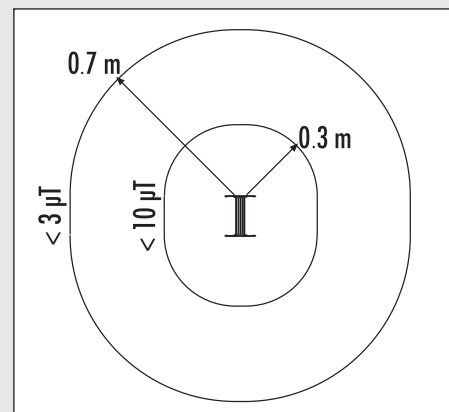
	25	25	25	25
I (A)	3,14	3,14	3,14	6,15
U _g (V)	8,72	8,72	8,72	8,72
f (Hz)	50/60	50/60	50/60	50/60
I _{sc} (kA)	2,2	2,2	2,2	2,7
t (ms)	10	10	10	10
U _{sc} (kV)	0,48	0,48	0,48	0,73
I _{sc} (kA)	5,803	5,803	5,803	2,963
U _{sc} (kV)	1,144	1,279	1,279 • 1,144	0,792

Example of an electric characteristics table

■ INTRINSIC SAFETY

A busbar does not use large amounts of insulating plastic material and potentially dangerous materials in case of fire. Furthermore, the plastic materials used for the insulating parts of the busbars are always self-extinguishing (from V0 to V2) and the gas emission is generally very low (Halogen Free). Low electromagnetic emission is another advantage of the busbars compared to that of an equivalent cable system: as a result, the metal plate casing of the busbars serves as a screen for the electric field (shielded enclosure); the extreme vicinity between the phase conductors also reduces the emission of the magnetic field considerably. The tests carried out on one of our 2500A SCP busbars at full operating current has shown that the emission of the magnetic field (magnetic induction) is lower than 10 µT of the Decree at a distance of 0.3m, and lower than 3 µT at a distance of only 0.7m from the busbar. These features make our busbars the unavoidable choice for hospital facilities, data processing centres and

wherever it is necessary to supply a large amount of power in the vicinity of workplaces and/or sensitive equipment.

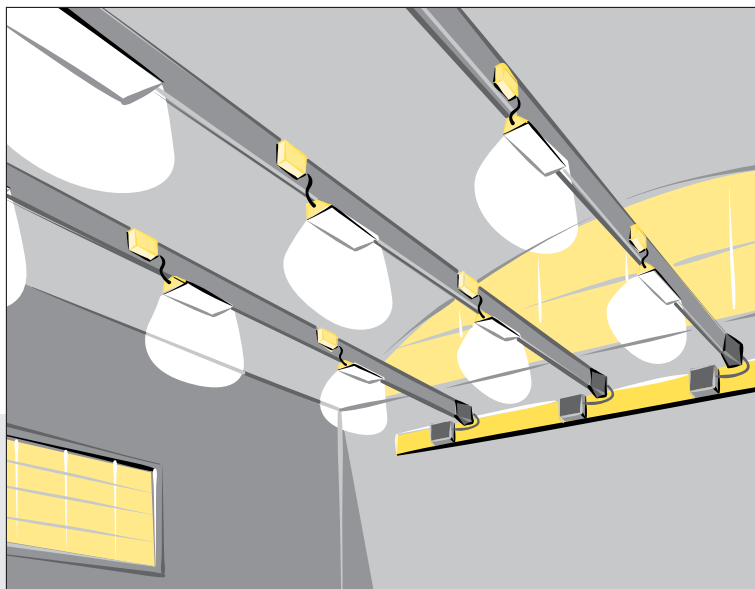


Zucchini busbar electromagnetic emission

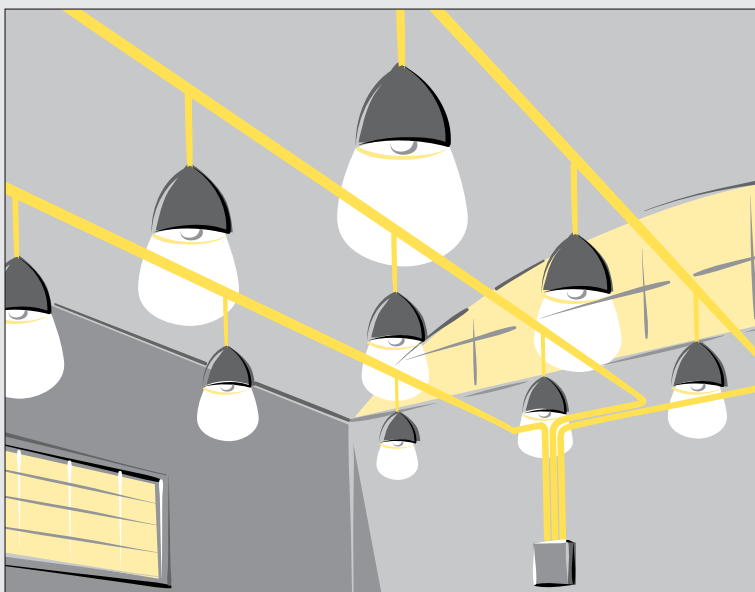
Basic concepts for busbars

■ FLEXIBILITY

By using the outlet windows located on the straight elements, the busbars provide high management flexibility, both when planning (electrical engineer) and when installing the system (installer); they are also used for the unavoidable changes required by the electric system to adapt to the varied needs of the end user. The junction boxes can be inserted and removed from their windows when the busbar is electrically powered and inserted in another junction window, thus avoiding downtime. The engineering department in charge of designing the busbar does not have to know the exact position of the machinery and of the electric loads that will be installed in the company; the project that will be carried out will be open to changes and variations which will be defined by the end user when operationally using the system. No more point-point connections but only one power distribution system to which you will always be able to connect to wherever there is a free window. Because of its flexibility and durability features Zucchini's busbar, installed inside a building, allows you to easily change the destination of its intended use of the rooms, thus giving also advantages to those who manage and locate the various parts of the building premises.



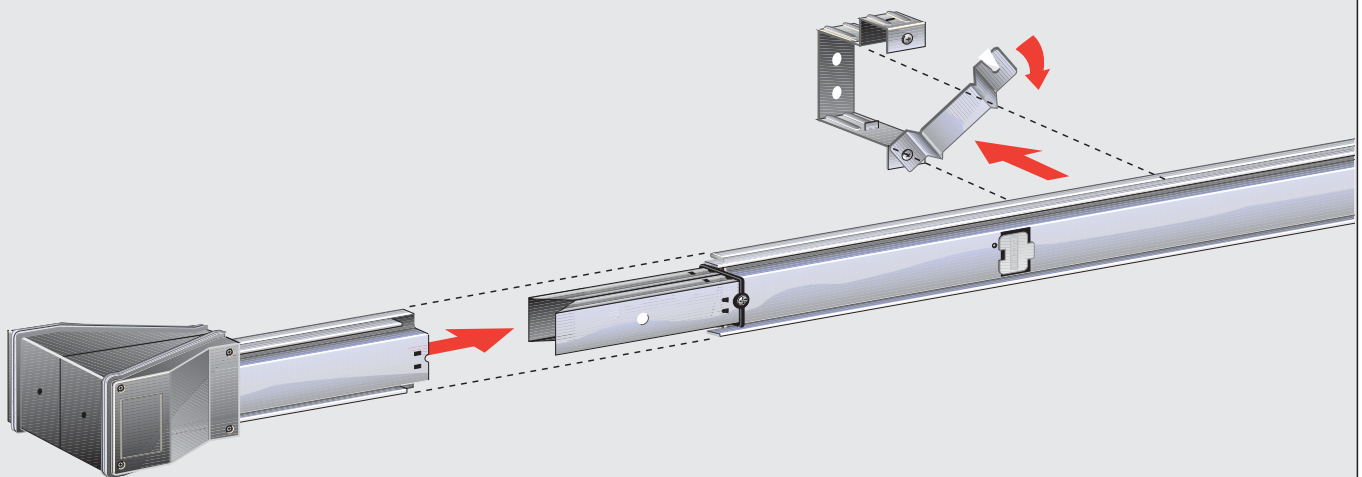
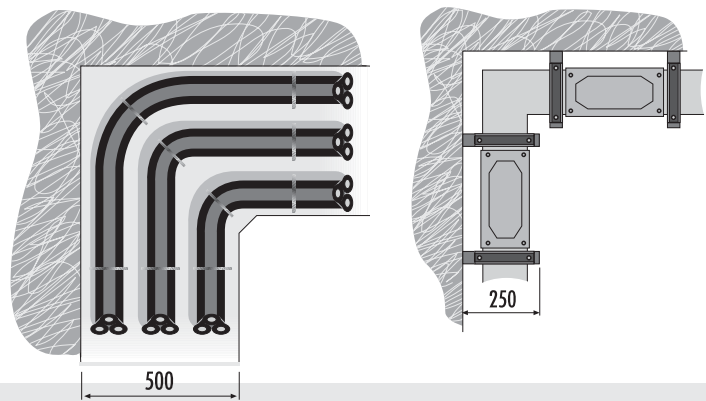
Busbar system



Cable and tube lighting system

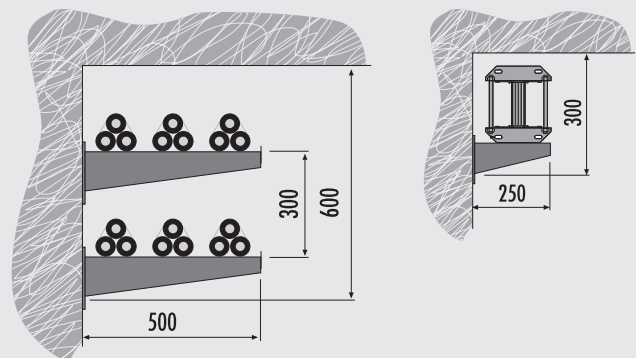
■ QUICK INSTALLATION

Zucchini's junction and fixing systems have been designed and created to install busbars easily. In a cable and tray system, the time required to install only the tray is the same used to install a complete system in busbars. Furthermore, given the same capacity, a power busbar, which generally has aluminium conductors, is much lighter than a system made with (copper) trays and cables: lighter weights require a lower number of supporting frames or, in any case, more simple and inexpensive supporting frames. That is why the installation time of a busbar is obviously shorter than a similar system made with cables.



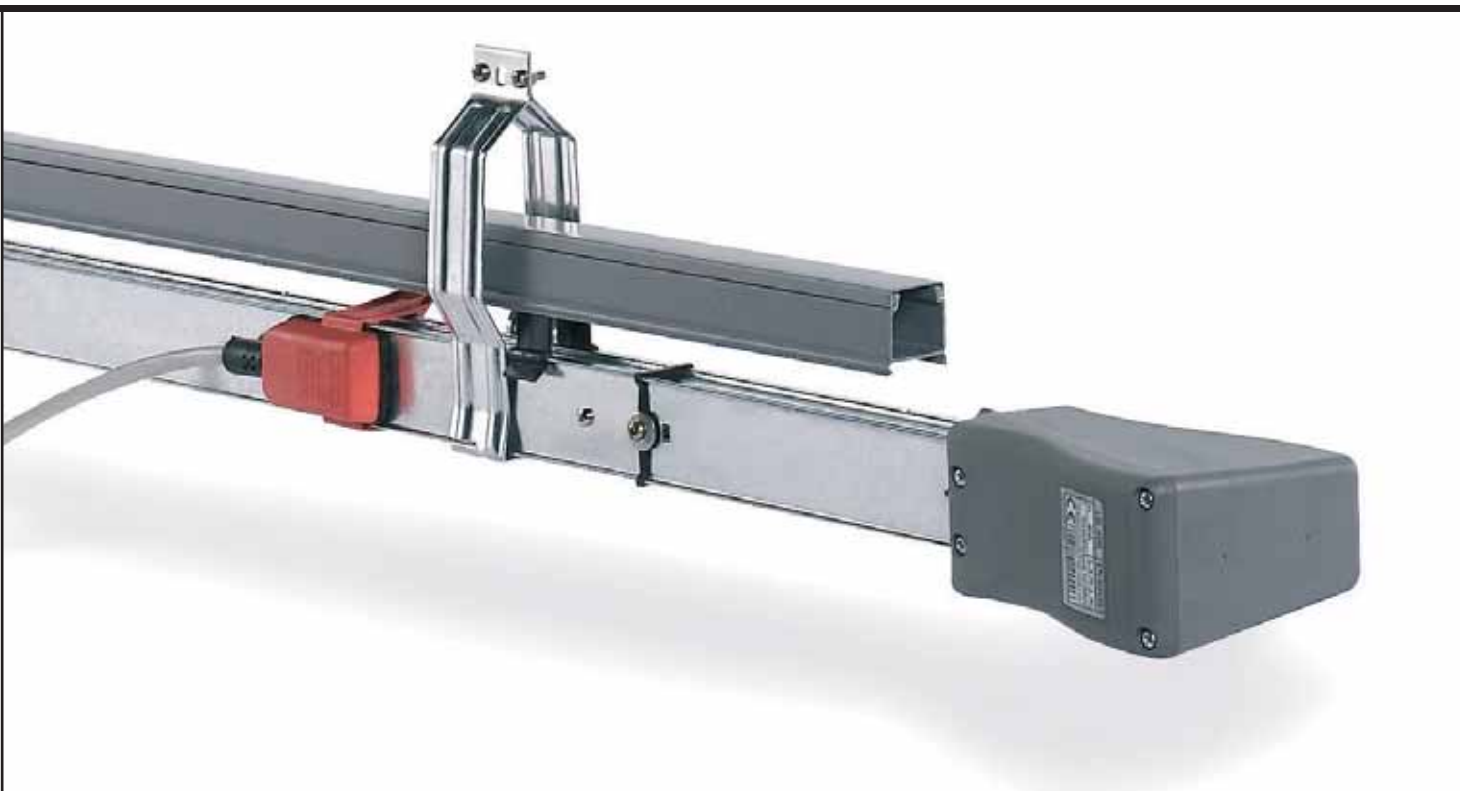
■ REDUCED DIMENSIONS

The overall dimensions of the busbars are generally smaller than an equivalent system made with cables, especially when the currents to be carried exceed 1000A and when several cables in parallel are necessary to ensure such capacity. Other advantages can be achieved when there are changes of direction where the radius of curvature of the cables is minimal and enough to not damage the insulating material; busbars allow you to change directions with 90° angles, thus optimizing the small spaces used in service areas.



LB - LIGHTING BUSWAY

25 - 40A



SECTION CONTENTS

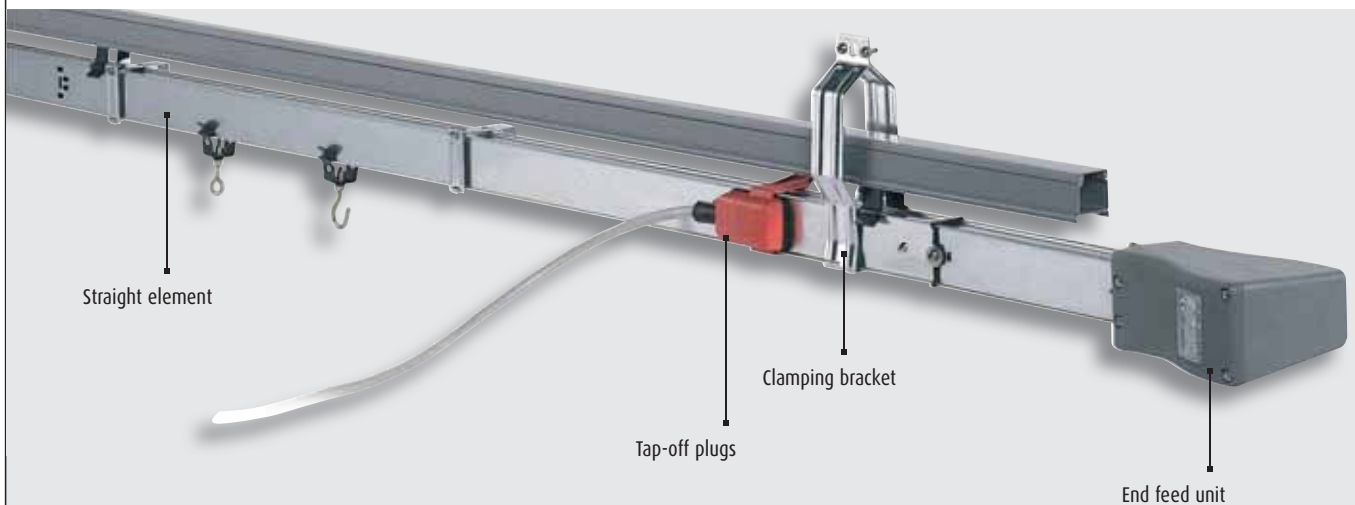
- 2 General features**
- 8 Trunking components: 2 and 4 conductors elements**
- 12 Trunking components: 6 conductors elements**
- 14 Plugs**
- 17 Fixing supports**
- 19 Cable channel and accessories**
- 128 Technical information**
- 135 Determination of the operating current of a busbar**

LB Lighting Busway

■ GENERAL FEATURES

Zucchini's LB product line is the ideal solution for supplying power to light fixtures for commercial and industrial applications. The main features of the LB range are:

- speed, simplicity and flexibility when planning and installing the lines;
- capable of being installed both in false ceilings and below floating floors, because of the IP 55 degree of protection;
- compliance with Standard IEC 60439-1 and 2;
- rated at average room temperature of 40 °C for a higher performance level compared to the 35 °C rating required by the standard.



Shopping centres



Offices

■ STRAIGHT ELEMENTS

The components and the features of the LB straight elements are:

- a closed and rib-shaped section casing, made with hot galvanized steel (Senzimir) (due to its cross-section and electrical continuity, it also serves as a protective conductor);
- casing thickness 0.6 mm;
- reduced dimensions 26x41 mm;
- painted or with an anodized aluminium casing versions available on request;
- number of conductors: 2, 4 or 6 rigid copper conductors with a 99.9% purity;
- conductor section: 3.14 mm² for 25A and 6.15 mm² for 40 A;
- separation between the conductors by using a V0 (according to UL94) self-extinguishing insulating plastic sheathe and in compliance with the glow-wire test according to IEC 60695-2-10;
- tap-off outlets equidistant every 1m (3 outlets every

3m) or 0.5m (6 outlets every 3m), receiving the corresponding tap-off plugs (in the LB 6 conductor version the outlets are arranged on both sides of the busbar: 3+3 or 6+6 outlets);

- a junction block automatically ensuring electrical continuity.

The connection between two straight elements is quick; with one operation the mechanical and the electrical connection is ensured between two joined elements; at the same time, an IP 55 degree of protection is guaranteed without using additional accessories.

The continuity of the protective conductor (casing) is guaranteed by tightening the special connection screw. The whole busbar is fire retardant in compliance with the IEC 60332-3 standard.



Store house



Hospitals

LB

Lighting Busway

■ FEED UNITS

Allows you to electrically power the LB line through a cable line; the installation is carried out with a quick junction connection as with the straight elements. The feed units have terminals for the connection of flexible copper cables for sections of up to 25 mm². There is an anti-pullout cable clamp inside the feed unit. The entrance point for the incoming cable is positioned on the end of the feed unit.



Standard end feed unit

■ END COVER

The end cover ensures the IP 55 protection degree at the end of the line.



End cover

■ FIXING DEVICES

Specific accessories are available for attaching the busbar to the structure of the building (directly or with a steel chain or cable).

The accessories for overhead fixing are:

- snap clamp: the snap-on installation is extremely fast. This bracket is suitable both for overhanging the busbar to the ceiling and for hanging products such as fluorescent lamps, tap-off boxes, etc., to the busbar itself;
- snap clamp with ring or hook: the ring or the hook enables to hang lamps easily.
- simple bracket: used with the ceiling bracket holder, it enables the installation the busbar directly onto the ceiling at a distance of about 25cm;
- wall bracket: enables the fixing of the busbar directly onto the wall of a building, setting it at the required distance enabling the installation of the necessary components.



Fixing accessories for fastening the busbar run to the structure and hanging the lamps onto the busbar

■ TAP-OFF PLUGS

Used for connecting and energizing light fixtures; their features include:

- can be inserted and removed when the busbar is energized and when the fixture is under load;
 - the PE contact (Protective Earth) is the first to make an electrical connection when inserting the plug into the outlet and it is the last to disconnect when pulling it out;
 - compliance with all insulating plastic components according to the glow-wire test (IEC 60695-2-10) with V1 self-extinguishing degree (UL94);
 - standard IP 55 degree of protection without using additional accessories according to Standard IEC 60529.
- The tap-off plugs are common for the LB 2, 4 and 6 conductors offer. These include:
 - a) 10 A pre-wired, pre-positioned phase tap-off plugs with 1m, 3m or 5m of 3x1.5 mm² cable;
 - b) 16 A phase selection tap-off plugs, with terminals for connecting L+N+PE cable;
 - c) 16 A phase selection tap-off plugs, with Ø5x20 mm cylindrical ceramic fuse and with terminals for connecting L+N+PE cable;
 - d) 16 A three-phase tap-off plugs, with a set of three cylindrical fuse carriers with terminals for connecting a 3L+N+PE cable.
 - In the LB 6 conductor line, the plugs are polarized, in other words the plug which is installed on one side of the busbar cannot be installed on the other side due to a mechanical lock on the outlet.



Phase selection plug



Single-phase plugs with 1, 3, 5 m cable

LB Lighting Busway

■ TRUNKING ELEMENTS AND ADDITIONAL ELEMENTS

Depending on the different installation requirements Zucchini can provide various technical solutions:

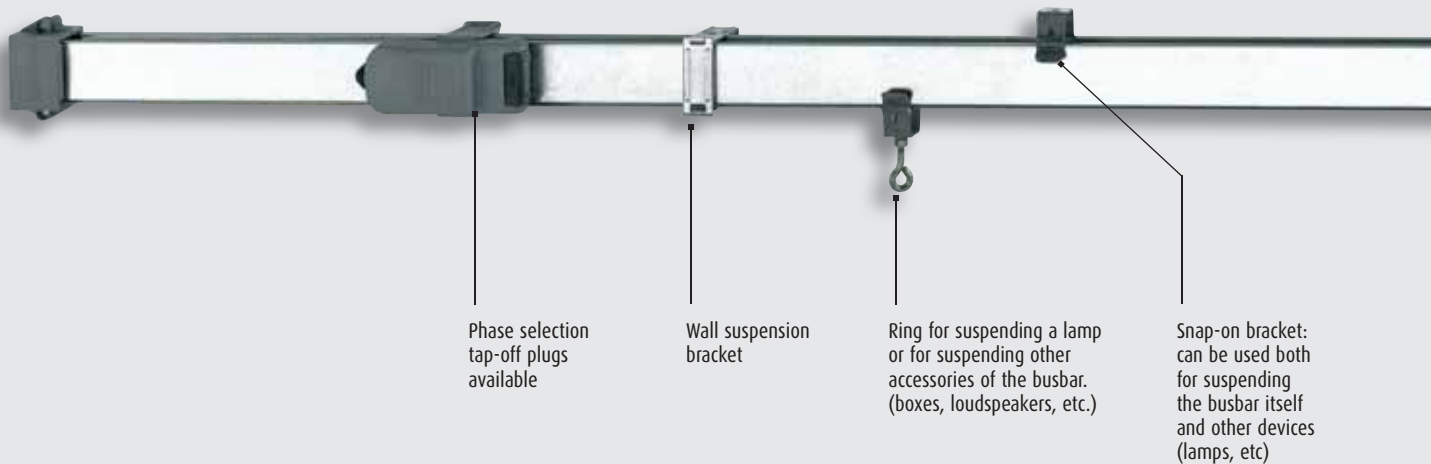
a) flexible joint: used to make changes of direction or to avoid possible interferences that may be found on the natural path of the BUSBAR.

The features are as follows:

- same connection method as the straight elements;
- electrical and mechanical connection with one operation;
- standard degree of protection: IP 55;
- continuity of the protective conductor, made from the casing of the element itself, guaranteed by tightening the special connection screw;

b) cable trunking with cover: this accessory, which can be positioned in the upper part of the busbar, can be used to distribute auxiliary circuits, it is an integral part of the busbar run using special spacers and brackets which support the busbar trunking system firmly. The trunking part is 3 m long and its dimensions are 28x28 mm;

c) intermediate feed unit: it can power the busbar from an intermediate point of the line, thus reducing the voltage drop at the end of the line and/or making the installation easier when the electric energy supply point is near the middle of the line.



■ PARTS OF THE LINE



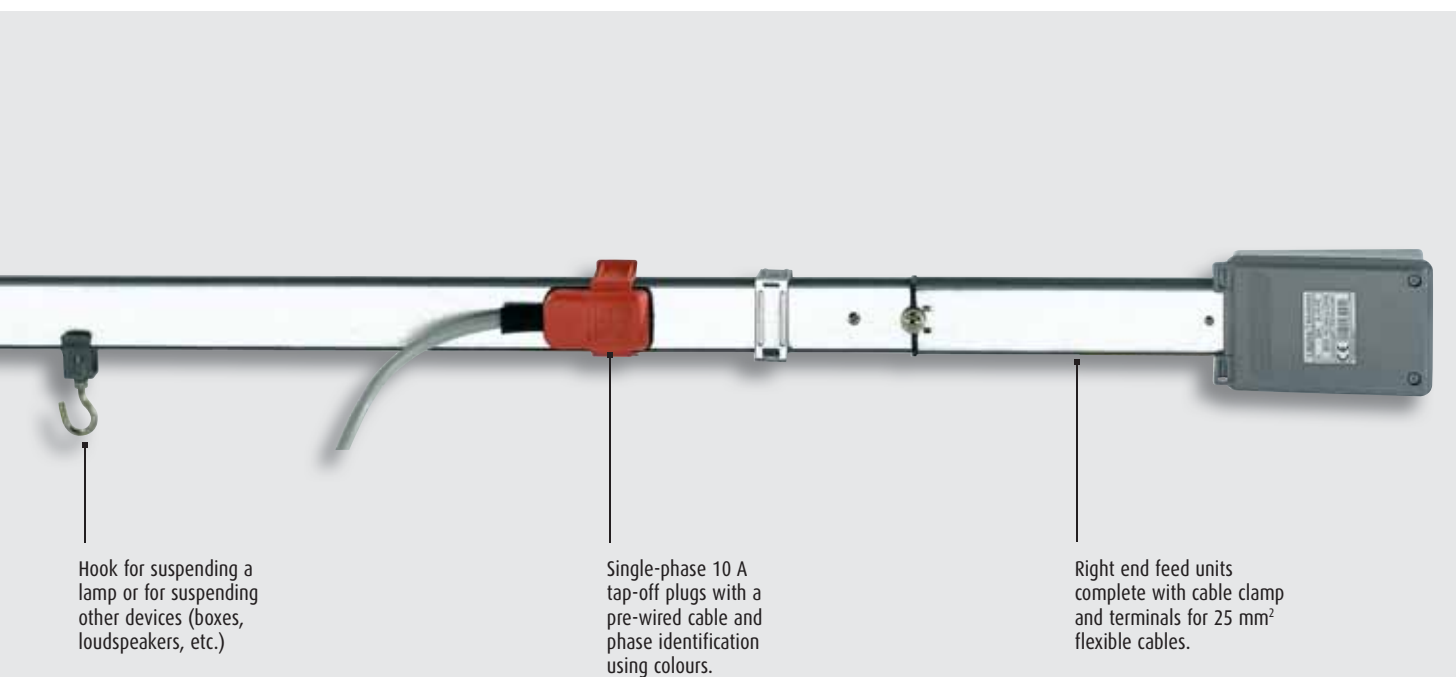
Phase selection plug



Three-phase plug with fuse carrier



Single-phase plugs with 1, 3, 5 m cable



Hook for suspending a lamp or for suspending other devices (boxes, loudspeakers, etc.)

Single-phase 10 A tap-off plugs with a pre-wired cable and phase identification using colours.

Right end feed units complete with cable clamp and terminals for 25 mm² flexible cables.



Snap-on stainless steel hook, ring and bracket



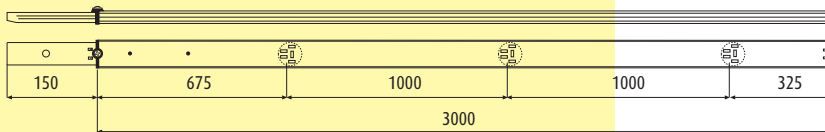
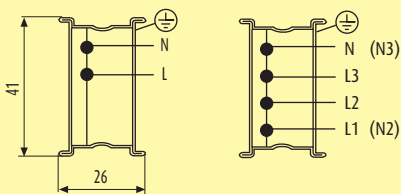
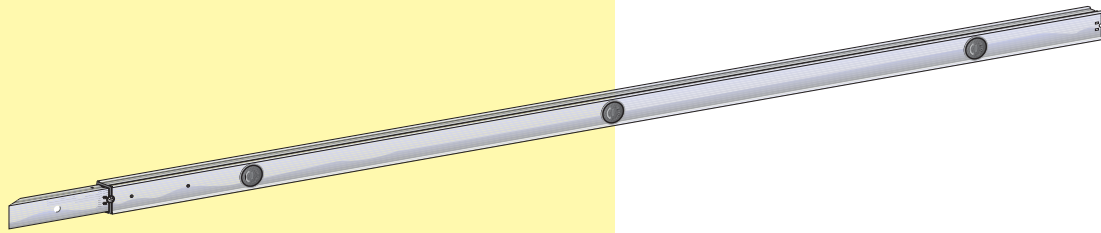
Simple suspension bracket



Bracket for coupling elements and floor fixing



Trunking components



STRAIGHT ELEMENT

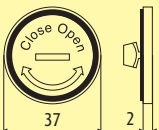
Supplied with 3 pre-installed outlet covers
(one cover every other outlet on the 6 outlet model)

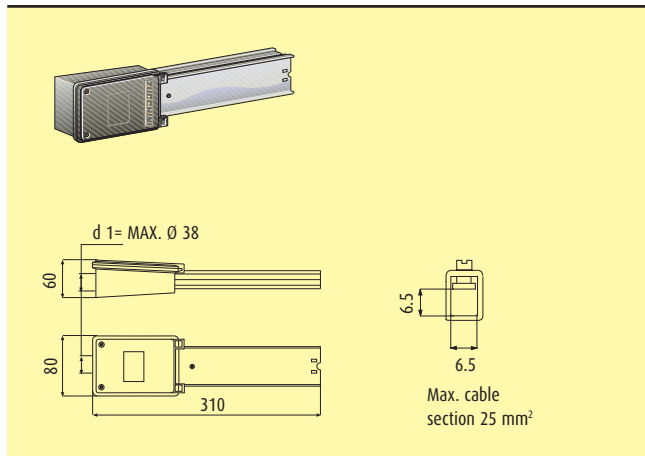
Model	Item	Length (m)	Rating (A)	Conductors	No. of outlets	Weight (kg)
LB 252	70150101	3	25	2	3	2.900
LB 252	70150102	3	25	2	6	2.900
LB 252	70150111	1.5	25	2	2	1.500
LB 402	70170101	3	40	2	3	3.200
LB 402	70170102	3	40	2	6	3.200
LB 402	70170111	1.5	40	2	2	1.650
LB 254	70160101	3	25	4	3	3.100
LB 254	70160102	3	25	4	6	3.100
LB 254	70160111	1.5	25	4	2	1.550
LB 404	70180101	3	40	4	3	3.400
LB 404	70180102	3	40	4	6	3.400
LB 404	70180111	1.5	40	4	2	1.750

OUTLET COVER (spare part)

Already mounted on each plug point, for IP 55 protection of outlets without plug.

Model	Item	Weight (kg)
All	70102054	0.004



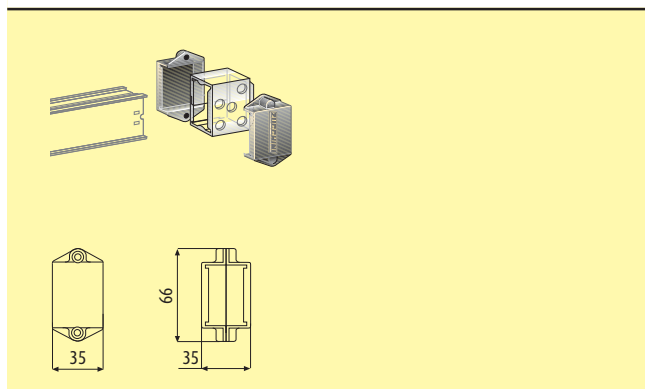


STANDARD FEED UNIT

Supplied without an electric and mechanical bayonet connection. It must be installed on one side of the element, located near the linking bayonet.

Model	Item	Weight (kg)
LB 252	70161001	0.400
LB 402	70181001	0.430
LB 254	70161001	0.400
LB 404	70181001	0.430

For cable glands see page 136

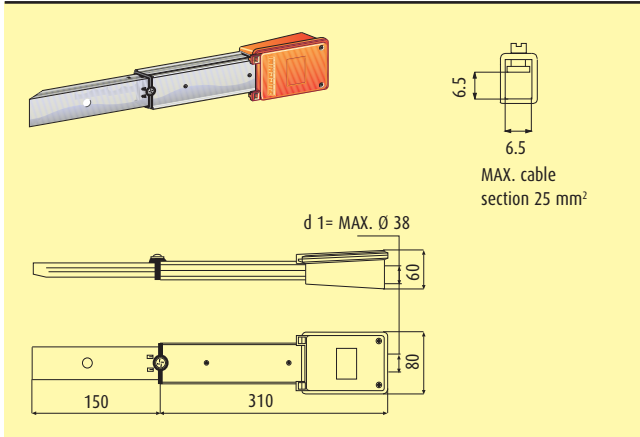


STANDARD END COVER

To be used with standard feed units.

Model	Item	Weight (kg)
All	70101351	0.060

Trunking element

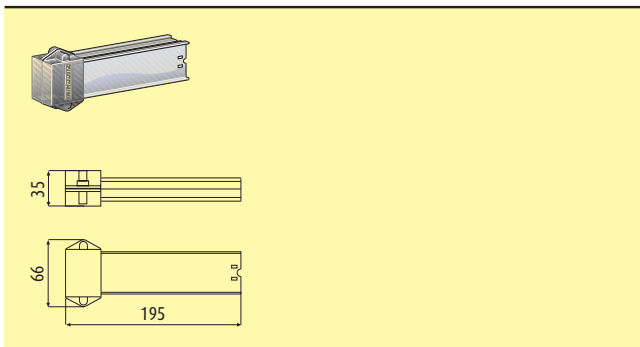


END-LINE FEED UNIT

Supplied with an electric and mechanical bayonet connection. It must be installed on the extremity of the element without the bayonet. Can be used when power feed is needed at both ends of a run (less voltage drop) or cabled in association with a standard feed unit to create a flexible element to bypass large obstacles (beams, air ducts, etc)

Model	Item	Weight (kg)
LB 252	70161002	0.600
LB 402	70181002	0.630
LB 254	70161002	0.600
LB 404	70181002	0.630

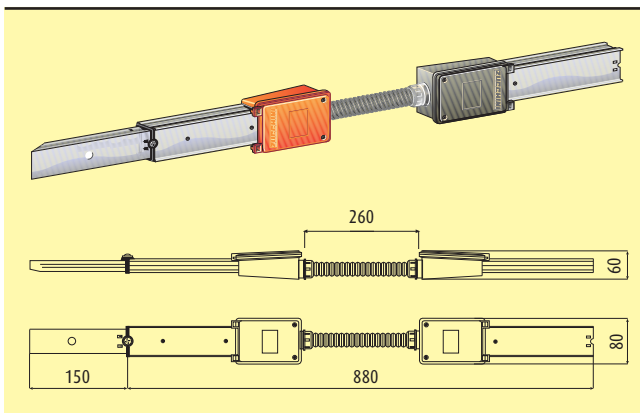
For cable glands see page 136



END COVER

To be used with end-line feed unit.

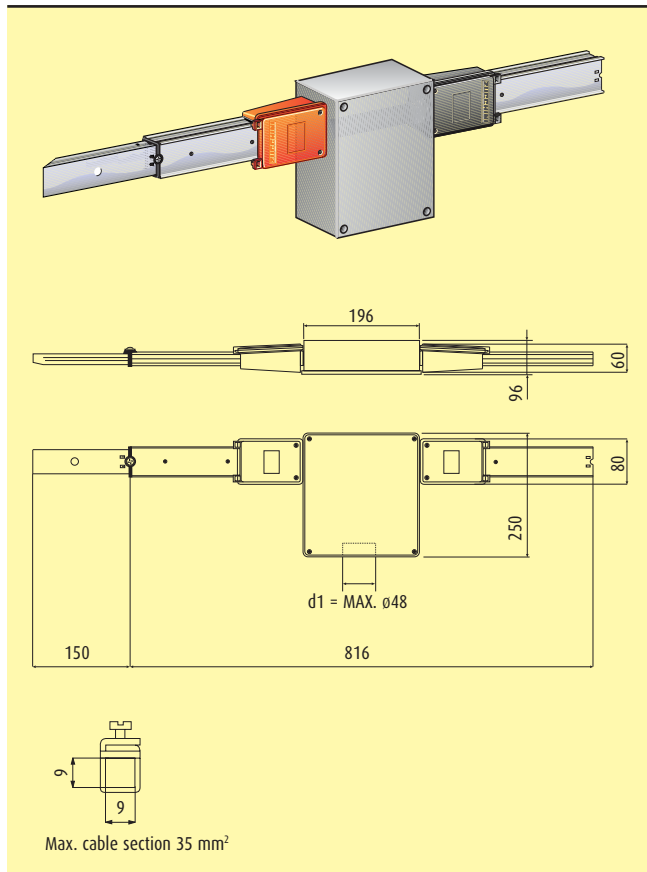
Model	Item	Weight (kg)
All	70161352	0.200



FLEXIBLE JOINT

Used to make changes of direction.

Model	Item	Weight (kg)
LB 252	70161261	1.350
LB 402	70181261	1.400
LB 254	70161261	1.350
LB 404	70181261	1.400

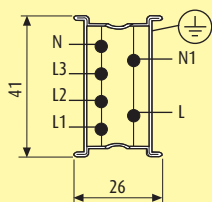
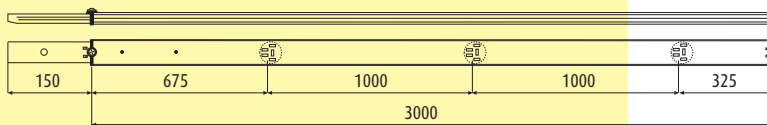
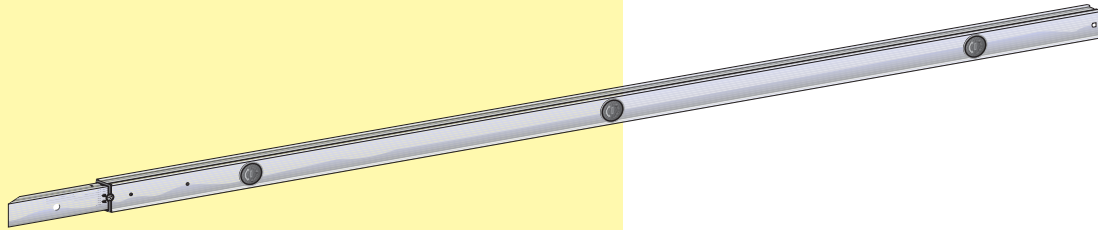


CENTRE FEED UNIT 25/40A

Used to power a busbar straight element from any intermediate point. The centre feed unit is also used for reducing the voltage drop of the line.

Model	Item	Weight (kg)
All	70181151	2.100

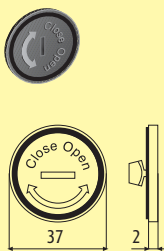
Trunking components - LB6



STRAIGHT ELEMENT

Supplied with 3+3 pre-installed outlet covers
(one cover every other outlet on the 6+6 outlet model)
The outlets are positioned on both sides in alternating pattern

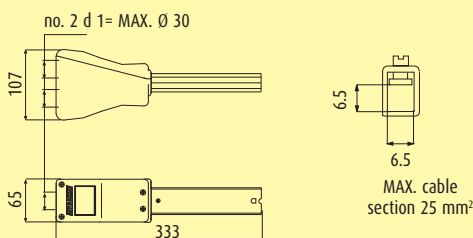
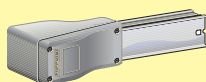
Model	Item	Length [m]	Rating A	Conductors	No. of outlets	Weight (kg)
LB 256	70250101	3	25	6	3 + 3	3.100
LB 256	70250102	3	25	6	6 + 6	3.100
LB 256	70250111	1.5	25	6	2 + 2	1.550
LB 406	70260101	3	40	6	3 + 3	3.400
LB 406	70260102	3	40	6	6 + 6	3.400
LB 406	70260111	1.5	40	6	2 + 2	1.750



OUTLET COVER (spare part)

Already mounted on each plug point, for IP 55 protection of outlets without plug.

Model	Item	Weight (kg)
All	70102054	0.004

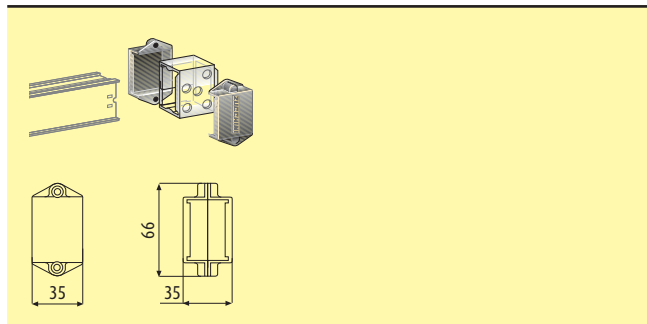


STANDARD FEED UNIT

Supplied without an electric and mechanical bayonet connection. It must be installed on one side of the element, located near the linking bayonet. Removable top and bottom cover to make cable connections easier.

Model	Item	Weight (kg)
All	70261101	0.430

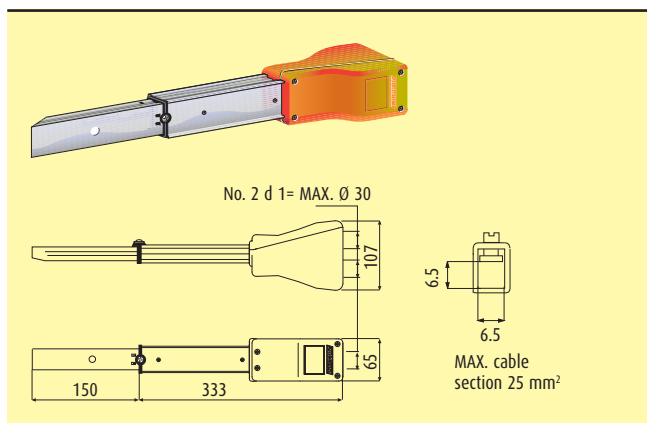
For cable glands see page 136



STANDARD END COVER

To be used with standard feed units.

Model	Item	Weight (kg)
All	70101351	0.080

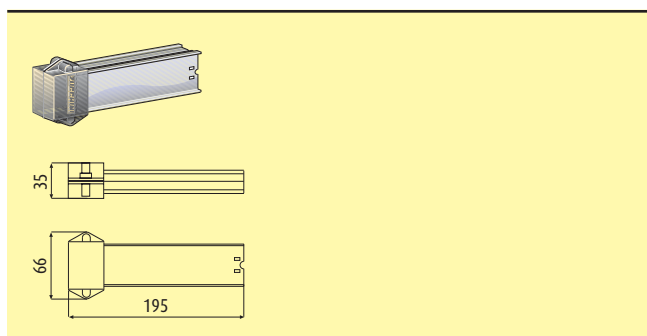


END-LINE FEED UNIT

Supplied with an electric and mechanical bayonet connection. It must be installed on the extremity of the element without the bayonet. Can be used when power feed is needed at both ends of a run (less voltage drop) or cabled in association with a standard feed unit to create a flexible element to bypass large obstacles (beams, air ducts, etc) Removable top and bottom cover to make cable connections easier.

Model	Item	Weight (kg)
All	70261102	0.600

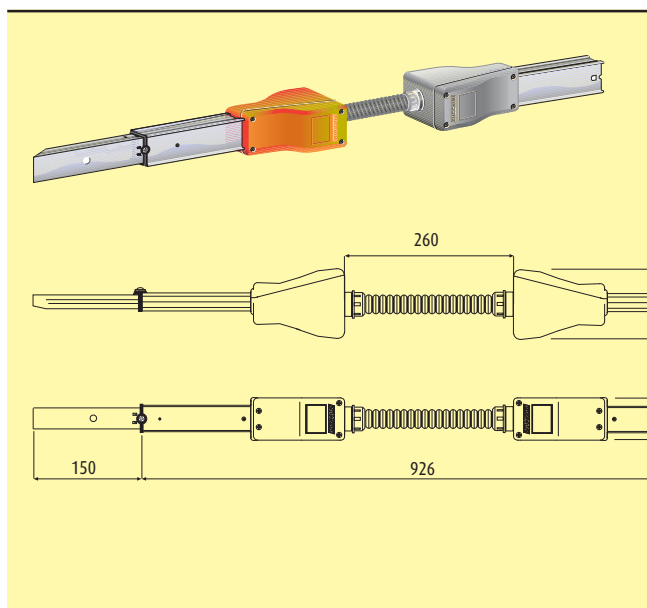
For cable glands see page 136



END COVER

To be used with end-line feed unit.

Model	Item	Weight (kg)
All	70263102	0.130



FLEXIBLE JOINT

Used to make changes of direction or avoid columns, obstructions or anything located along the path of the line.

Model	Item	Weight (kg)
All	70263201	1.350

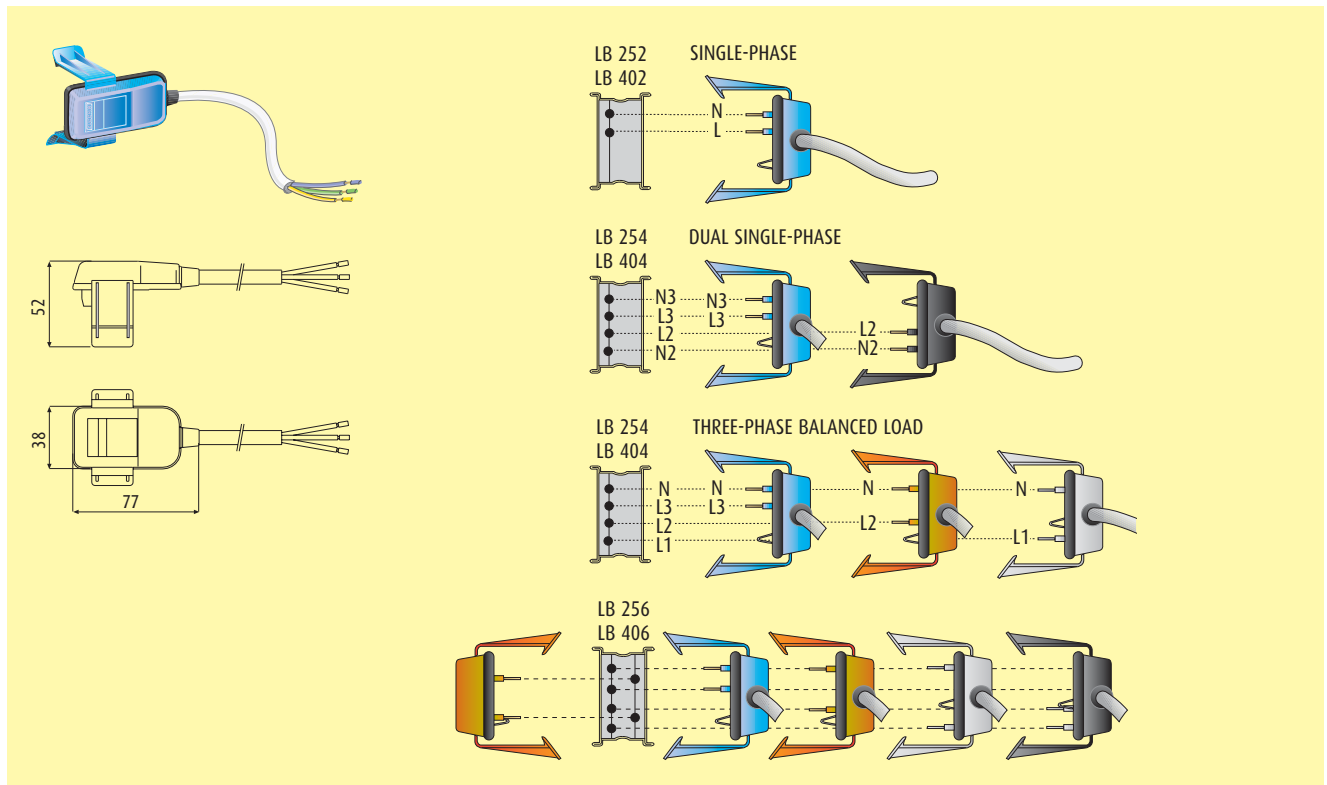
Plugs for all versions

SINGLE-PHASE PLUGS WITH CABLE

	LB Model			Item	Capacity	Fuse	Phase	Cable length	Cable end	Colour
	252 402	254 404	256 406							
4 conductors side										
⇒	•	•	•	70105016	10 A	-	L1-N	1m	stripped	grey
	•	•	•	70105116	10 A	-	L1-N	3m	stripped	grey
	•	•	•	70105126	10 A	-	L1-N	5m	stripped	grey
	•	•	•	447 40	10 A	-	L1-N	1m	fast connection	grey
4 conductors side										
⇒	•	•	•	70105017	10 A	-	L2-N	1m	stripped	orange
	•	•	•	70105117	10 A	-	L2-N	3m	stripped	orange
	•	•	•	70105127	10 A	-	L2-N	5m	stripped	orange
	•	•	•	447 41	10 A	-	L2-N	1m	fast connection	orange
4 conductors side										
⇒	•	•	•	70105018	10 A	-	L3-N	1m	stripped	blue
	•	•	•	70105118	10 A	-	L3-N	3m	stripped	blue
	•	•	•	70105128	10 A	-	L3-N	5m	stripped	blue
	•	•	•	447 42	10 A	-	L3-N	1m	fast connection	blue
4 conductors side										
⇒	•	•	•	70105063	10 A	-	L2-N2	1m	stripped	black
	•	•	•	70105163	10 A	-	L2-N2	3m	stripped	black
	•	•	•	70105173	10 A	-	L2-N2	5m	stripped	black
	•	•	•	447 43	10 A	-	L2-N2	1m	fast connection	black
2 conductors side										
⇒		•	•	70265001	10 A	-	L1-N	1m	stripped	orange
		•	•	70265101	10 A	-	L1-N	3m	stripped	orange
		•	•	70265111	10 A	-	L1-N	5m	stripped	orange
		•	•	447 45	10 A	-	L1-N	1m	fast connection	orange

The availability of plugs having different colours allows you to immediately identify the circuit the device belongs to, hence giving you considerable installation advantages for future modifications. The balance control of the loads on the various phases is immediate thanks to the different colours.

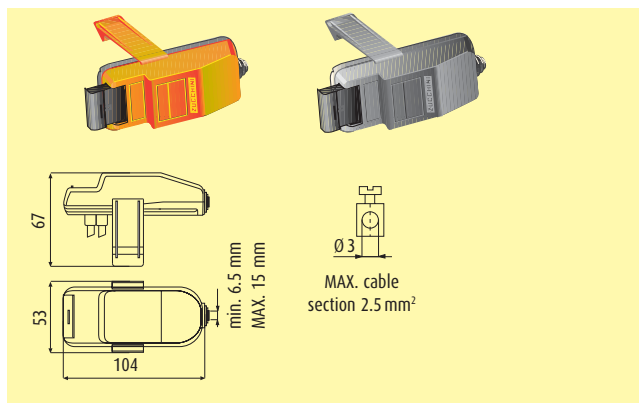
⇒ Specifies the most frequently used plugs.



SAFETY PLUGS

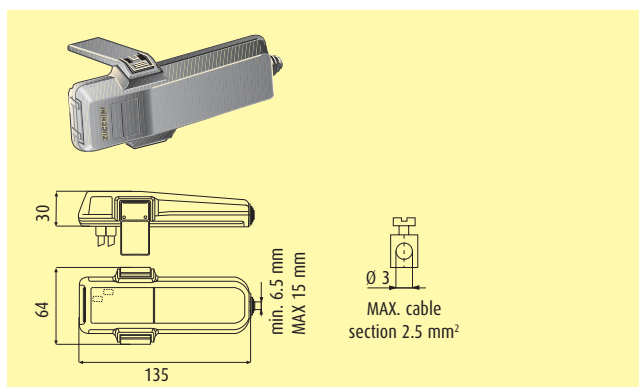
LB Model			Item	Capacity	Fuse	Phase	Cable length	Cable end	Colour
252 402	254 404	256 406							
4 conductors side			Phase selection single-phase plug						
⇒	•	•	70105030	16 A	Ø5x20 6.3A	selectable	-	-	grey
⇒	•	•	70105031	16 A	-	selectable	-	-	grey
	•	•	447 47	16 A	-	selectable	1m	fast connection	grey
	•	•	70105130	16 A	Ø5x20 6.3A	selectable	3m	stripped	grey
	•	•	70105131	16 A	Ø5x20 6.3A	selectable	5m	stripped	grey
			Three-phase plugs						
⇒		•	70105141	16 A	-	L1-L2-L3-N	-	-	grey
		•	70105142	16 A	-	L1-L2-L3-N	3m	stripped	grey
		•	70105143	16 A	-	L1-L2-L3-N	5m	stripped	grey
2 conductors side									
⇒		•	70265002	16 A	Ø5x20 6.3A	-	-	-	orange
⇒		•	70265003	16 A	-	-	-	-	orange
		•	70265102	16 A	-	-	3m	stripped	orange
		•	70265103	16 A	-	-	5m	stripped	orange

⇒ Specifies the most frequently used plugs.



PLUGS WITH FUSE CARRIER CH8 - 16 A SINGLE-PHASE

LB Model			Item	Capacity	Fuse	Phase	Cable length	Cable end	Colour
252 402	254 404	256 406							
4 conductors side									
	•	•	70105071	16 A	Ø8.5x31.5	selectable	-	-	grey
	•	•	447 48	16 A	Ø8.5x31.5	selectable	1m	fast connection	grey

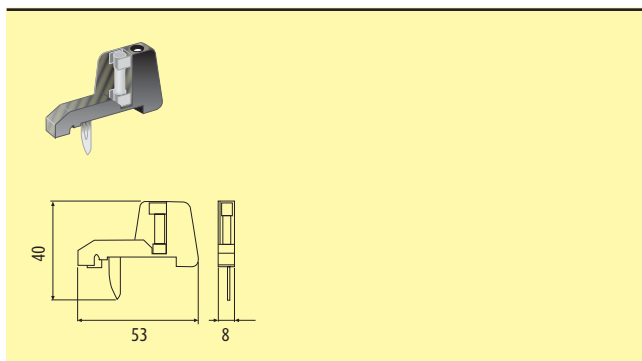
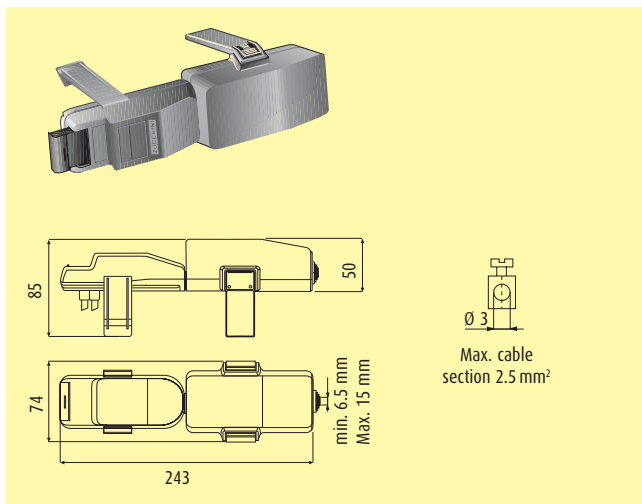


Plugs for all versions

PLUGS WITH FUSE CARRIER - 16 A THREE-PHASE

LB Model			Item	Capacity A	Fuse	Phase	Cable length	Cable end	Colour
252	254	256							
402	404	406							
4 conductors side									
	•	•	70105035	16 A	Ø 8.5x31.5*	L1-L2-L3-N	-	-	grey
	•	•	70105045	16 A	Ø 6.3x31.5*	L1-L2-L3-N	-	-	grey
	•	•	447 49	16 A	Ø 8.5x31.5	L1-L2-L3-N	1 m	fast connection	grey

* Fuse not included



MOBILE CONTACT

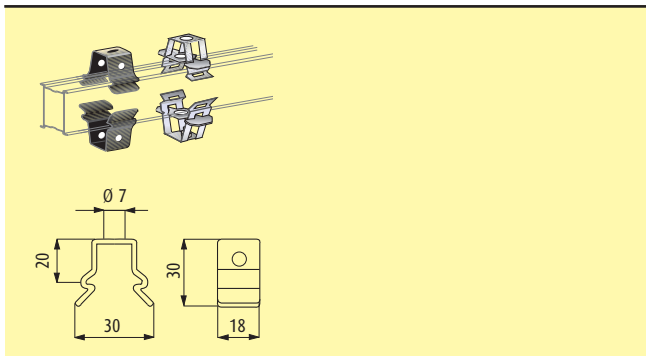
Can be used to transform a single phase selection plug into a three-phase plug

Item	Capacity A	Fuse	Weight (kg)
71005028**	16 A	1	0.008
71005029	16 A	0	0.008

** 16 A contact with 6.3 A ceramic fuse

For fuse features, see page 136

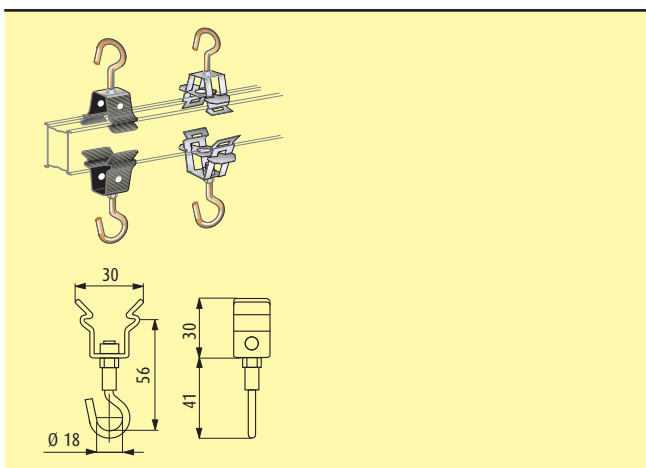
Fixing supports



SNAP-ON BRACKET (MAX. 15 KG)

Clamp to be clipped onto the element's top or bottom edge.

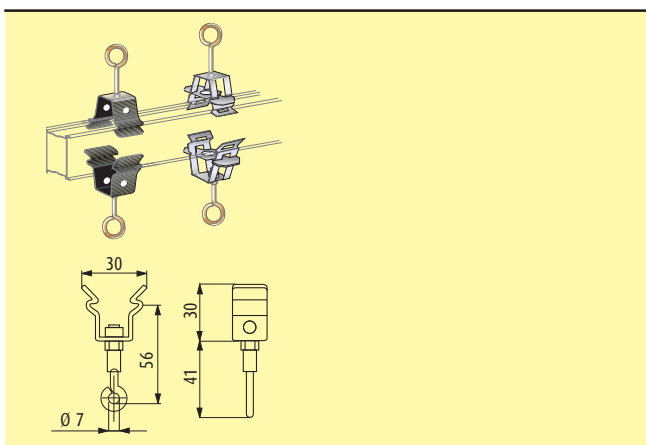
Model	Item	Weight (kg)
Burnished Steel	71003003	0.021
STAINLESS STEEL	71203701	0.021



SUSPENSION HOOK (MAX. 15 kg)

Clamp to be clipped onto the element's top or bottom edge.

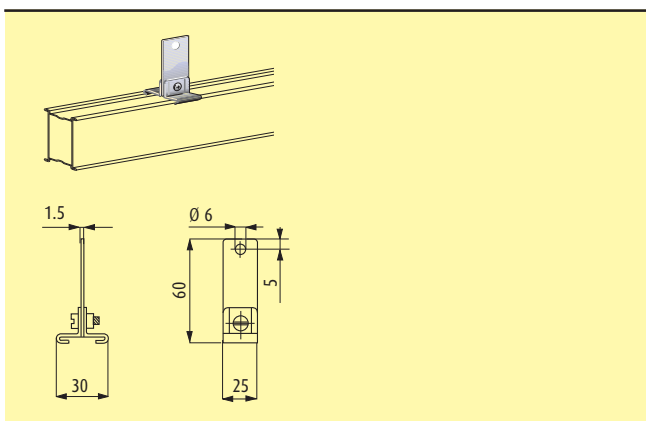
Model	Item	Weight (kg)
Burnished Steel	71005002	0.025
STAINLESS STEEL	71203702	0.025



SUSPENSION RING (MAX. 15 kg)

Clamp to be clipped onto the element's top or bottom edge.

Model	Item	Weight (kg)
Burnished Steel	71005015	0.025
STAINLESS STEEL	71203703	0.025

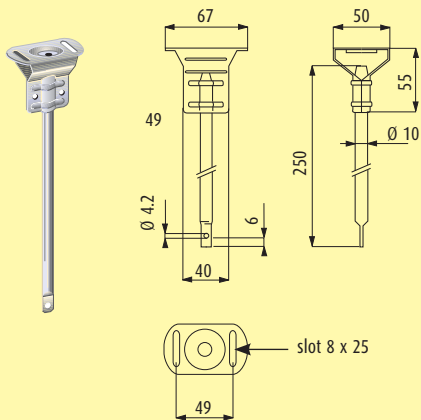


SUSPENSION BRACKET (MAX. 15 kg)

Clamp to be clipped onto the element's top or bottom edge.

Item	Weight (kg)
71003001	0.033

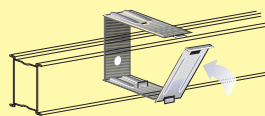
Fixing elements



BRACKET HOLDER

Must be used with code 71003001 suspension bracket.

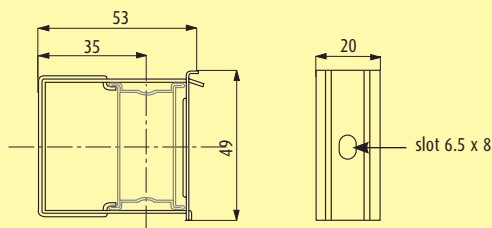
Item	Weight (kg)
73003312	0.136



WALL SUSPENSION BRACKET

Cannot be used with LB6 (no access to back side for plugs)

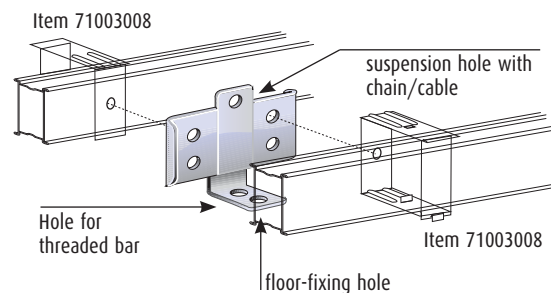
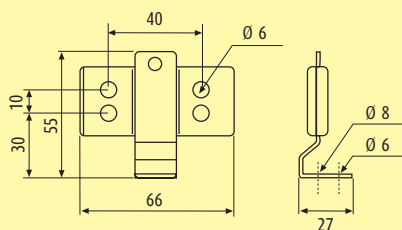
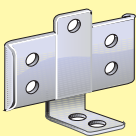
Item	Weight (kg)
71003008	0.030



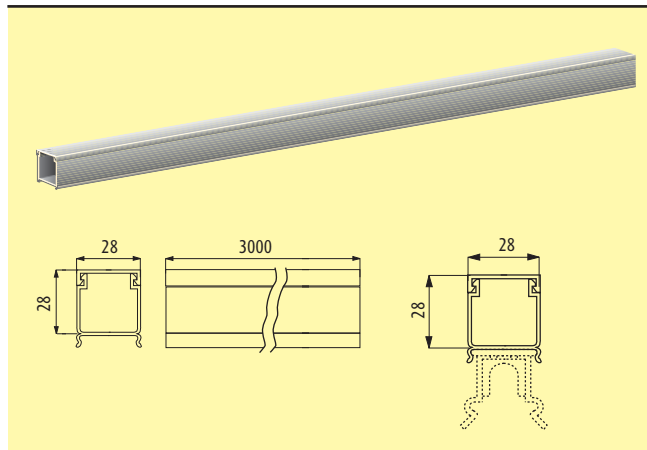
BRACKET FOR COUPLING ELEMENTS

Bracket suitable for positioning two lines in parallel. The reduced dimensions are also specified for floor installations.

Item	Weight (kg)
70105043	0.060

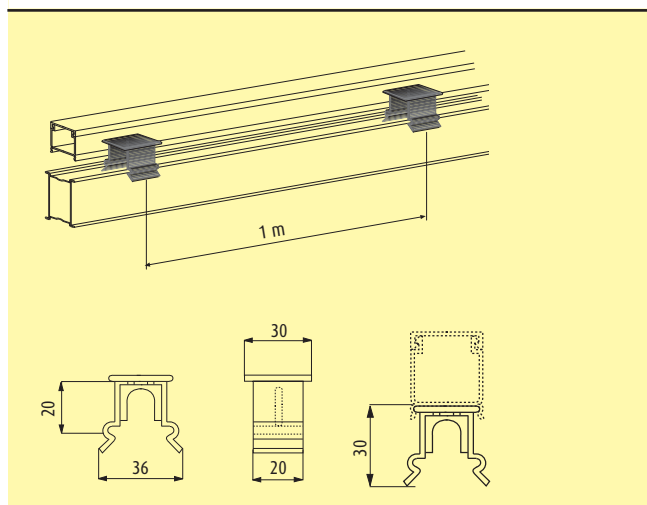


Cable channel and accessories



CABLE CHANNEL WITH COVER (RIGID PVC)

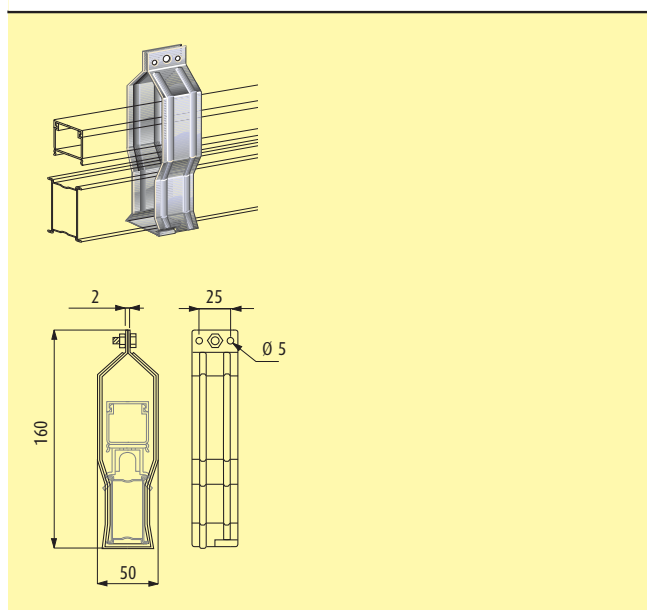
Item	Length [m]	Weight (kg)
71000104	3	0.884



SPACER FOR CABLE CHANNEL

When ordering, consider using spacer every metre of conduit.

Item	Weight (kg)
71003007	0.006



SUSPENSION BRACKET FOR CABLE CHANNEL

Suspension bracket to be used when the cable cable channel is used.

Item	Weight (kg)
71003006	0.108

HL - HIGH LIGHTING

25 - 40A



SECTION CONTENTS

- 22 **General features**
- 28 **HLs Trunking components: 2 and 4 conductors elements**
- 31 **HLs plugs**
- 33 **HLd Trunking components: 4, 6 and 8 conductors elements**
- 36 **HLd plugs**
- 39 **Fixing supports**
- 41 **Cable channel and accessories**
- 129 **Technical information**
- 135 **Determination of the operating current of a busbar**

HL High Lighting

■ GENERAL FEATURES

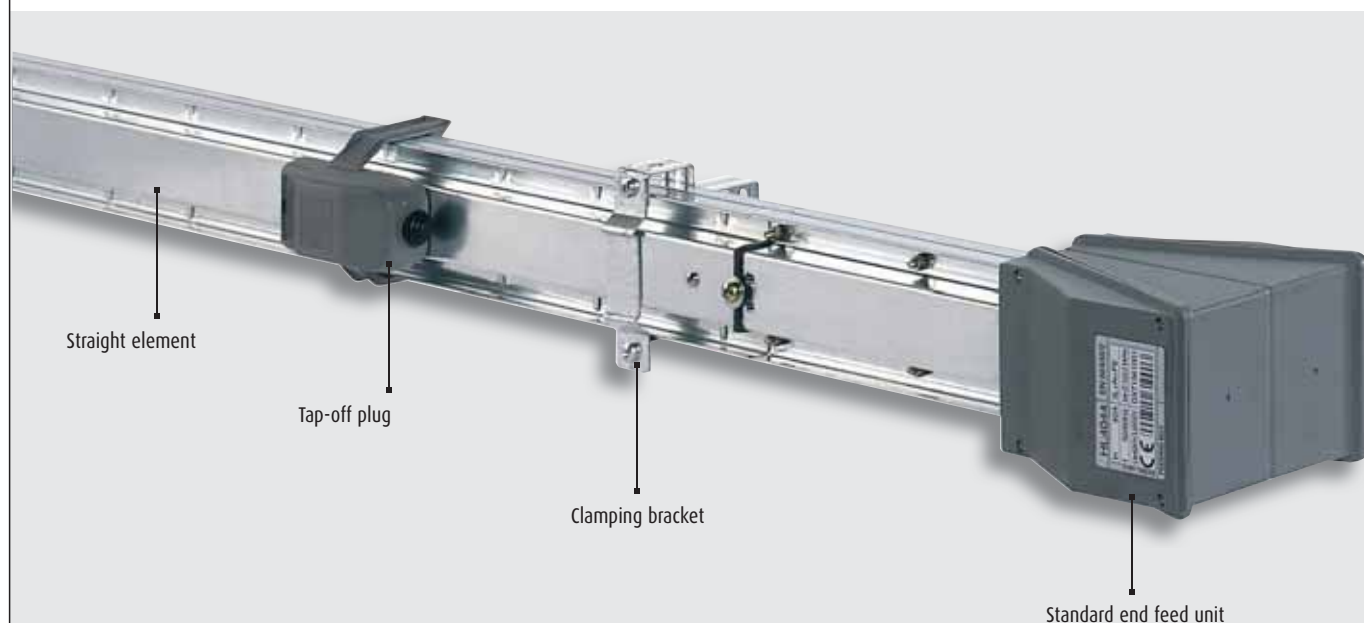
The HL busbar line is ideal for powering lighting fixtures wherever it is necessary to hang heavy accessories onto the busbar. The main features of the HL range are:

- speed, simplicity and flexibility when installing and planning the lines;
- high mechanical rigidity obtained by the particular “beam-type configuration” and by an increased thickness of the metal casing;

- capable of being installed in systems with a distance of up to 6m between suspension brackets;
- compliance with Standard IEC 60439-1 and 2;
- rated at average room temperature of 40°C for a higher performance level compared to the 35°C rating required by the standard.

HL is available in two dimensions:

- **HLs** single version for 2 and 4 conductors
- **HLd** dual version for 2+2; 4+2; 4+4 and 2x4 conductors.



Exhibition pavilions



Car parks

■ STRAIGHT ELEMENTS

The components and the features of the HL straight elements are:

- a beam-shaped casing, made with hot galvanized steel (Senzimir) (due to its cross-section and electrical continuity, it also serves as the protective earth)
- HLs busbar dimensions: 26x62 mm; HLD: 40x70 mm;
- upon request, the straight elements are also available in the Aisi 304 stainless steel version;
- number of conductors: 2, 4, 6 or 8 rigid copper conductors with a 99.9% purity;
- conductor section: 3.14 mm² for 25 A and 6.15 mm² for 40 A;
- separation between the conductors by using a V0 (according to UL94) self-extinguishing insulating plastic sheathe and in compliance with the glow-wire test according to IEC 60695-2-10;
- tap-off outlets equidistant every 1m (3 outlets every 3m) or 0.5m (6 outlets every 3m), receiving the corresponding tap-off plugs (in the LB 6 conductor version the outlets are arranged on both sides of the busbar: 3+3 or 6+6 outlets);

- a junction block automatically ensuring electrical continuity

The connection between two straight elements is quick; with one operation the mechanical and the electrical connection is ensured between two joined elements; at the same time, an IP 55 degree of protection is guaranteed without using additional sealing accessories.

The continuity of the protective conductor (casing) is guaranteed by tightening the special connection screw.

The whole busbar is fire retardant in compliance with the Standard IEC 60332-3.

In the HLD (dual) version, the straight elements are separated over their entire length by a metal plate divider (thickness 0.8 mm) which separates the straight elements in two parts making the two circuits totally independent. Because of this division the HLD busbar can be used for powering "normal" and "emergency" loads.

The HLD line is designed so as to provide two separate rated circuits (25 A+25 A or 40 A+40 A) on without a derating factor, and not one one 25 or 40 A incoming divided into two circuits.



Small/medium industries



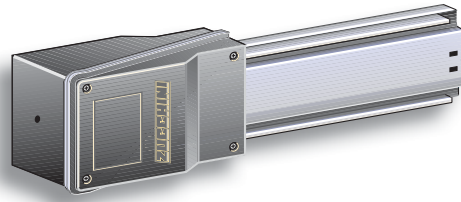
Gyms

HL High Lighting

■ FEED UNITS

Allows you to electrically power the HL line through one (HLs) or two separate lines (HLd); the installation is carried out with a quick junction connection as with the straight elements.

The feed units have terminals for the connection of flexible cables for sections of up to 25 mm². There is an anti-pullout cable clamp inside the feed unit. The entrance point for the incoming cable is positioned on the end of the feed unit.



Standard end feed unit

■ END COVER

The end cover ensures the IP 55 protection degree at the end of the line.



Standard end cover

■ FIXING DEVICES

Specific accessories are available for attaching the busbar to the structure of the building (directly or with a steel chain or cable). The accessories for overhead fixing are:

- snap clamp: the snap-on installation is extremely fast. This bracket is suitable both for overhanging the busbar to the ceiling and for hanging products such as fluorescent lamps, tap-off boxes, etc., to the busbar itself;
- snap clamp with ring or hook: the ring or the hook enables to hang lamps easily;
- simple bracket: used with the ceiling bracket holder, it enables the installation the busbar directly onto the ceiling at a distance of about 25 cm;
- wall bracket: enables the fixing of the busbar directly onto the wall of a building, setting it at the required distance enabling the installation of the necessary components.



Fixing accessories for fastening the busbar run to the structure and hanging the lamps onto the busbar

■ TAP-OFF PLUGS

Used for connecting and energizing light fixtures; their features include:

- can be inserted and removed when the busbar is energized and when the fixture is under load;
- the PE contact (protective earth) is the first to make an electrical connection when inserting the plug into the outlet and it is the last to disconnect when pulling it out;
- all insulating plastic components are in compliance with the glow-wire test (IEC 60695-2-10) with V1 self-extinguishing degree (UL94);
- standard IP 55 degree of protection without using additional accessories according to Standard IEC 60529;
- in the HLd line, the plugs are polarized, in other words the plug which is busbar on one side of the element cannot be installed on the other side due to a mechanical lock on the outlet;
- the tap-off plugs are different for the HLs 2, 4 and

HLd 2+2, 4+2, 4+4; 2x4 conductors offer. They include:

- 16 A phase selection tap-off plugs, pre-wired with 1 m of 3x1.5 mm² FROR cable;
- 16 A phase selection tap-off plugs, with terminals for connecting a cable;
- 16 A phase selection tap-off plugs, with Ø5x20mm cylindrical ceramic fuse and with terminals for connecting an L+N+PE cable;
- 16 A three-phase tap-off plugs, with a set of three cylindrical fuse carriers (8.5x31.5mm) with terminals for connecting a 3L+N+PE cable.



Single-phase selection plug



Plug with fuse carrier

Trunking components and additional elements

Depending on the different installation requirements Zucchini can provide various technical solutions:

a) flexible joint: used to make changes of direction or to avoid possible interferences that may be found on the path of the busbar.

Their main technical features are:

- same connection method as the straight elements;
- electrical and mechanical connection with one operation;
- standard degree of protection: IP 55;
- continuity of the protective conductor, made from the casing of the element itself, guaranteed by tightening the special connection screw;

b) cable trunking with cover: this accessory, which can be positioned in the upper part of the busbar, can be used to distribute auxiliary circuits, it is an integral part of the busbar run using special spacers and brackets which support the busbar trunking system firmly. The trunking part is 3 m long and its dimensions are 28x28 mm;

c) intermediate feed unit: it can power the busbar from an intermediate point of the line, thus reducing the voltage drop at the end of the line and/or making the installation easier when the electric energy supply point is near the middle of the line.



The end cap completes the installation of the lines and guarantees the IP 55 degree of protection of the line.

Straight elements, with tap-off outlets every 1000 mm on both sides, with pre-installed blanking accessory.

Phase selection tap-off plugs, also available with fuses.

Ring for suspending a lamp or for suspending other accessories of the busbar. (boxes, loudspeakers, etc.)

Hook for suspending a lamp or for suspending busbar itself and other devices (lamps, etc)

Snap-on bracket that can be used for suspending the line and devices

■ PARTS OF THE LINE



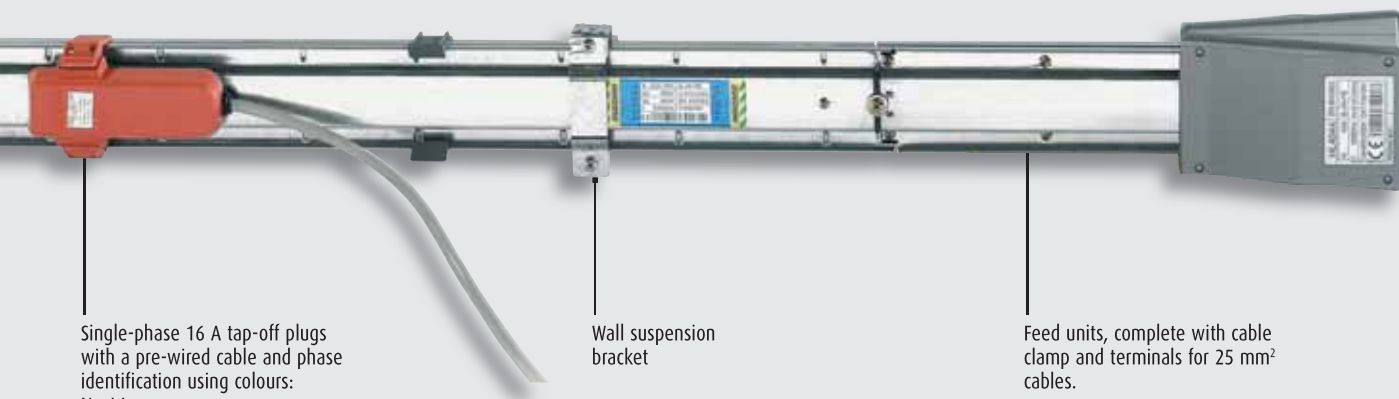
Single-phase selection plug



Plug with fuse carrier



Ceiling suspension bracket



Single-phase 16 A tap-off plugs with a pre-wired cable and phase identification using colours:
 N - L1 = grey
 N - L2 = orange
 N - L3 = blue
 for L+N circuit
 and
 N3 - L3 = blue
 N2 - L2 = black
 for single-phase dual circuit.

Wall suspension bracket

Feed units, complete with cable clamp and terminals for 25 mm² cables.



Wall mounting bracket



Simple suspension bracket

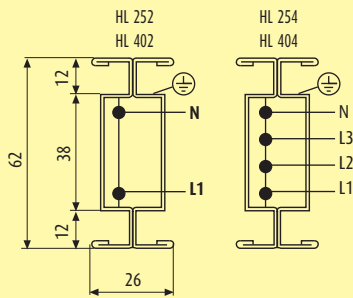
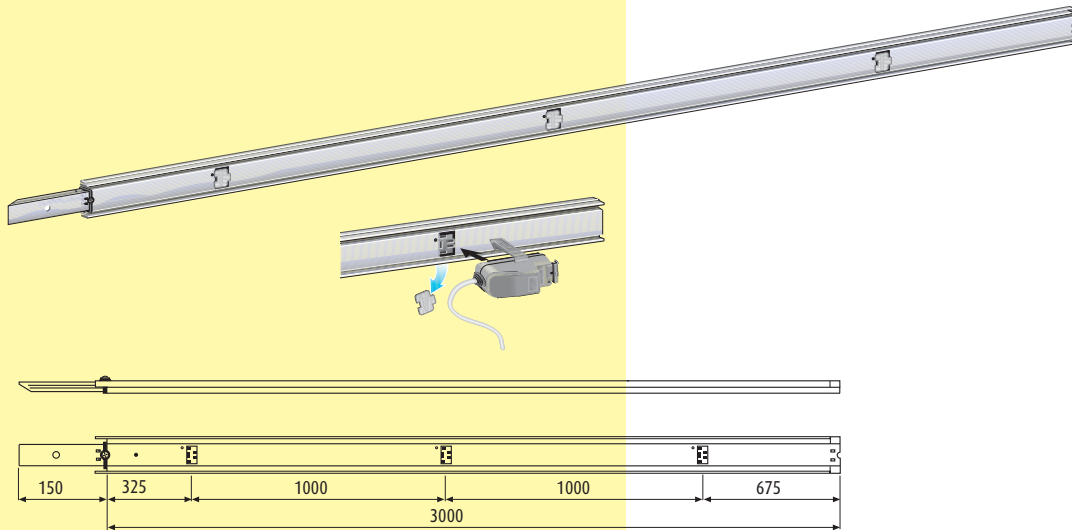


Snap-on stainless steel hook, ring and bracket



Outlet cover (spare)

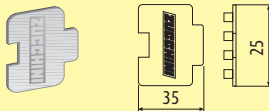
HL Trunking components - single



STRAIGHT ELEMENT

Elements with pre-installed outlet covers.

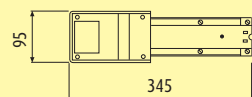
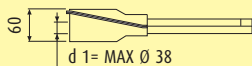
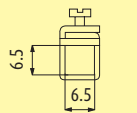
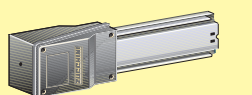
Model	Item	Length (m)	Rating (A)	Conductors	No. of outlets	Weight (kg)
HL 252	71010151	3	25	2	3	4.5
HL 252	71010161	1.5	25	2	2	2.25
HL 402	71030151	3	40	2	3	4.8
HL 402	71030161	1.5	40	2	2	2.4
HL 254	71020151	3	25	4	3	4.8
HL 254	71020161	1.5	25	4	2	2.4
HL 404	71040151	3	40	4	3	5.1
HL 404	71040161	1.5	40	4	2	2.55



OUTLET COVER (Spare)

The straight elements are supplied with outlet cover pre-installed on the outlets.

Model	Item	Colour	Weight (kg)
All	71023601	grey	0.011

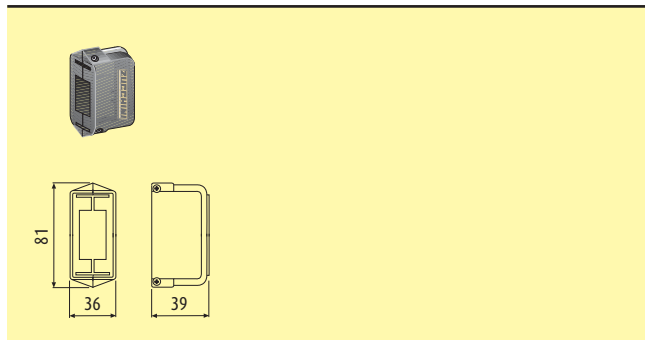


STANDARD FEED UNIT

Supplied without an electric and mechanical bayonet connection. It must be installed on one side of the element, located near the linking bayonet.

Model	Item	Weight (kg)
All	71041001	0.800

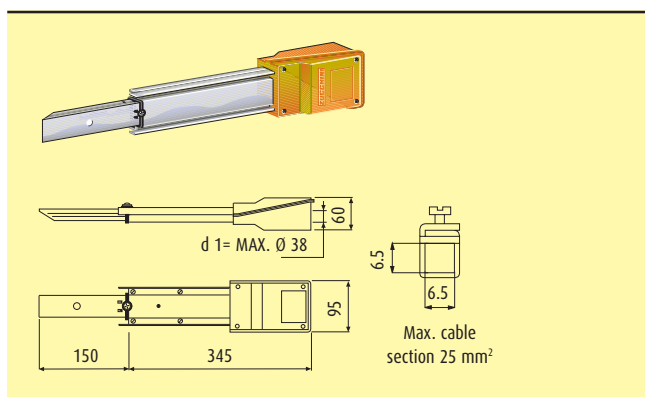
For cable glands see page 136



STANDARD END COVER

To be used with standard feed units

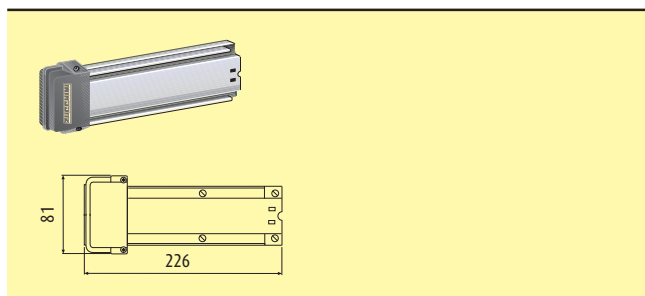
Model	Item	Weight (kg)
All	71041301	0.050



END-LINE FEED UNIT

Supplied with an electric and mechanical bayonet connection. It must be installed on the extremity of the element without the bayonet. Can be used when power feed is needed at both ends of a run (less voltage drop) or cabled in association with a standard feed unit to create a flexible element to bypass large obstacles (beams, air ducts, etc)

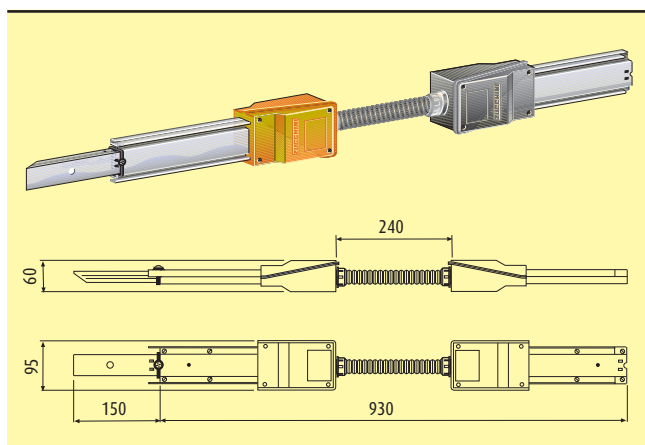
Model	Item	Weight (kg)
All	71041002	1.000



END COVER

To be used with end-line feed unit.

Model	Item	Weight (kg)
All	71041302	0.360

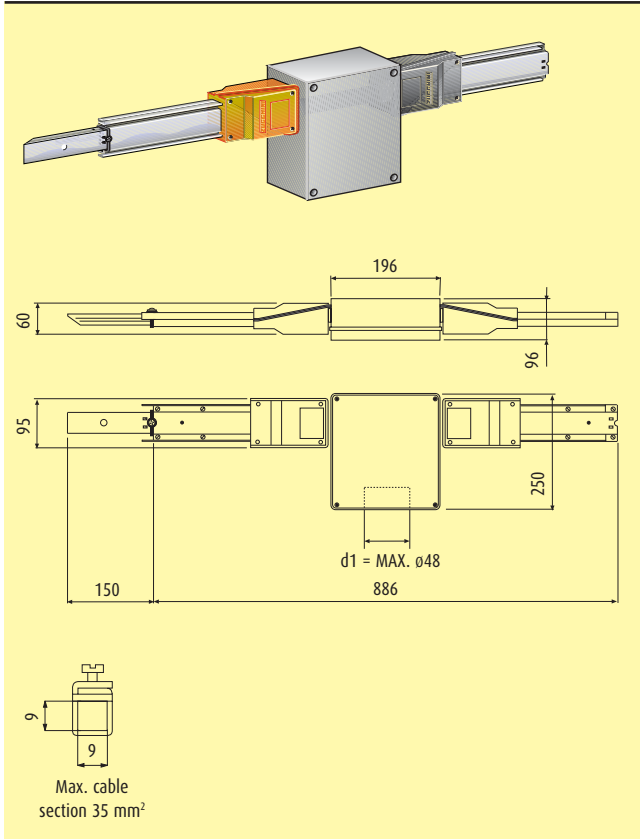


FLEXIBLE JOINT

Used to make changes of direction.

Model	Item	Weight (kg)
All	71041261	2.500

HLs Trunking components



CENTRE FEED UNIT 25/40A

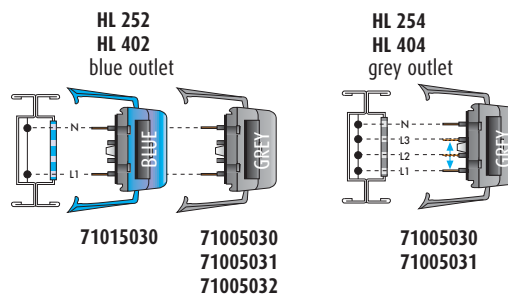
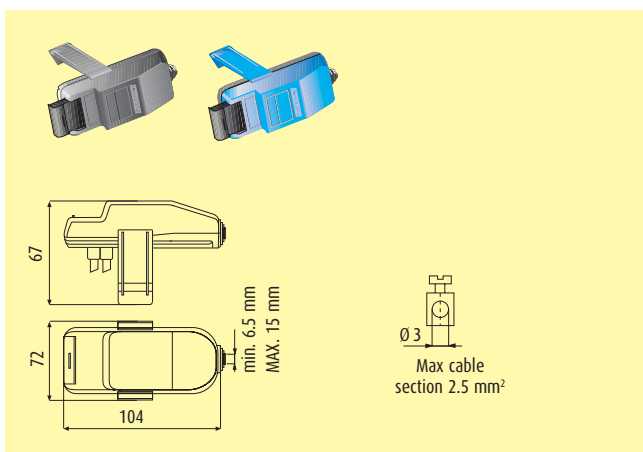
Used to power a busbar from an intermediate point. The intermediate power box is also used for reducing the voltage drop of the line.

Model	Item	Weight (kg)
All	71041151	2.900

HLs plugs

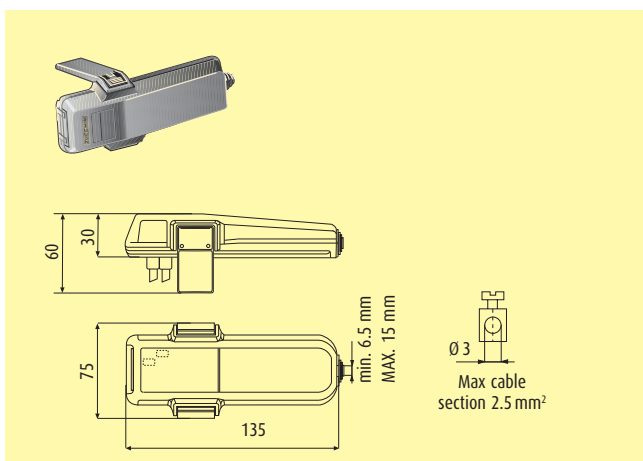
PHASE SELECTION SAFETY PLUGS

Model		Item	Rating	Fuse	Phase	Cable length	Cable end	Colour
252 402	254 404							
•	•	71005030	16 A	Ø5x20	selectable	-	-	grey
•	•	71005031	16 A	-	selectable	-	-	grey
•	•	71005032	16 A	-	selectable	1m	stripped	grey
•	•	71015030	16 A	Ø5x20	L1-N	-	-	blue

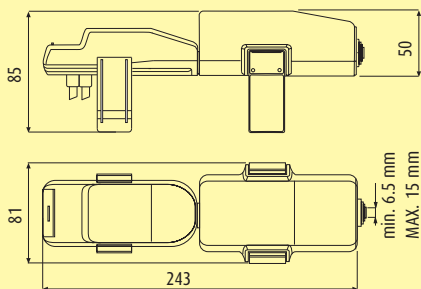
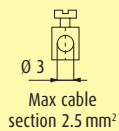
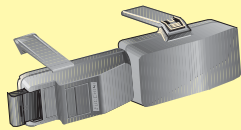


SINGLE-PHASE PLUGS WITH FUSE CARRIER

Model		Item	Rating	Fuse	Phase	Cable length	Cable end	Colour
252 402	254 404							
•	•	71005068	16 A	Ø8.5x31.5	selectable	-	-	grey
•	•	71005070	16 A	Ø8.5x31.5	L1-N	1m	stripped	grey
•	•	71005071	16 A	Ø8.5x31.5	L2-N	1m	stripped	orange
•	•	71005072	16 A	Ø8.5x31.5	L3-N	1m	stripped	blue



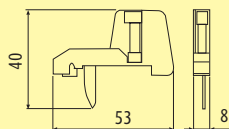
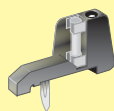
HLs plugs



THREE-PHASE PLUGS WITH FUSE CARRIER

Model	Item	Rating	Fuse	Phase	Colour
252	254				
402	404				
	• 71005035	16 A	Ø8.5x31.5 *	L1-L2-L3-N	grey

* Fuse not included



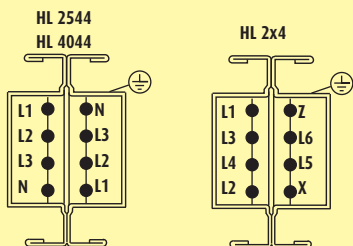
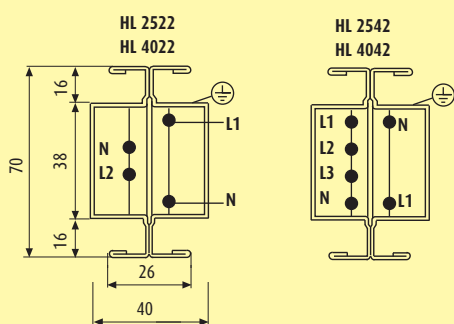
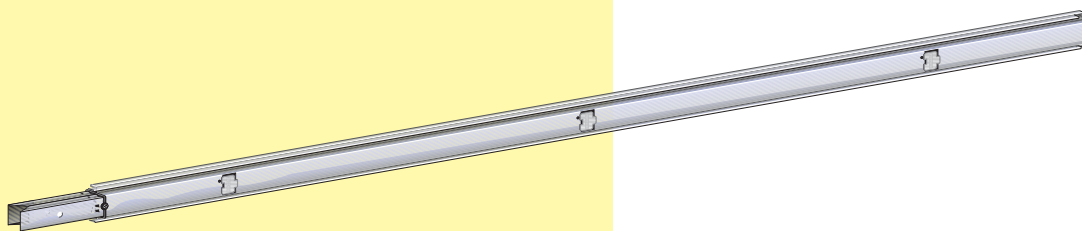
MOVABLE CONTACT

To be added when creating three-phase versions of the safety tap-off plugs (2 for each plug).

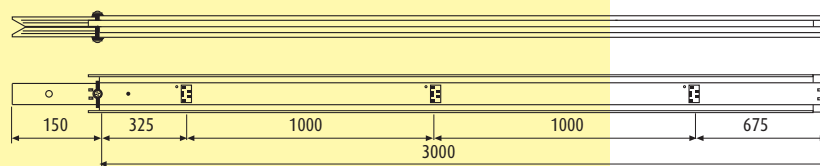
Item	Capacity	Fuse	Weight (kg)	
71005028	**	16 A	1	0.010
71005029		16 A	0	0.010

** 16 A contact with 6.3 A fuse

HLd Trunking components



HL 2x4 to create
4 interlocked single-phase circuits



STRAIGHT ELEMENT

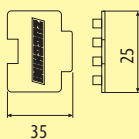
Elements with pre-installed outlet covers.

Model	Item	Length (m)	Rating (A)	Conductors	No. of outlets	Weight (kg)
HL 2522	71510151	3	25+25	2 + 2	6	8.4
HL 2522	71510161	1.5	25+25	2 + 2	4	4.2
HL 4022	71540151	3	40+40	2 + 2	6	8.7
HL 4022	71540161	1.5	40+40	2 + 2	4	4.35
HL 2542	71520151	3	25+25	4 + 2	6	8.7
HL 2542	71520161	1.5	25+25	4 + 2	4	4.35
HL 4042	71550151	3	40+40	4 + 2	6	9.3
HL 4042	71550161	1.5	40+40	4 + 2	4	4.65
HL 2544	71530151	3	25+25	4 + 4	6	8.7
HL 2544	71530161	1.5	25+25	4 + 4	4	4.35
HL 4044	71560151	3	40+40	4 + 4	6	9.6
HL 4044	71560161	1.5	40+40	4 + 4	4	4.8
HL 2x4	71570151	3	25+25	2+2+2+2	6	8.7
HL 2x4	71570161	1.5	25+25	2+2+2+2	4	4.35

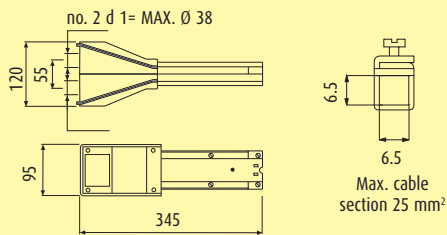
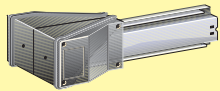
OUTLET COVER (spare)

The elements are supplied with outlet covers pre-installed on the outlet covers.

Model	Item	Colour	Weight (kg)
All	01150048	grey	0.011



HLd Trunking components

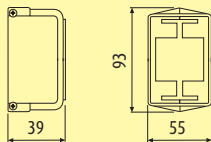


STANDARD FEED UNIT 25/40A

Supplied without an electric and mechanical bayonet connection. It must be installed on one side of the element, located near the linking bayonet. The feed unit has two separate cable inputs and the terminals are totally separated and independent.

Model	Item	Weight (kg)
All	71561001	1.100

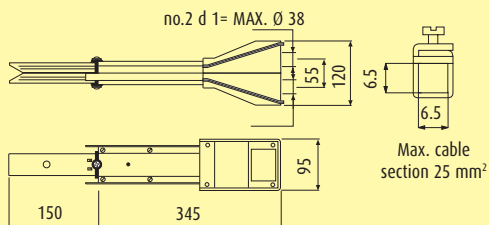
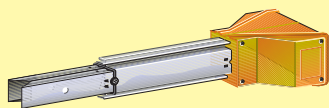
Cable gland selection page 136



STANDARD END COVER

To be used with the standard feed unit

Model	Item	Weight (kg)
All	71561301	0.090

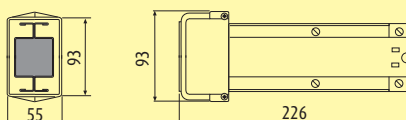
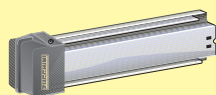


END-LINE FEED UNIT 25/40A

Supplied with an electric and mechanical bayonet connection. It must be installed on one side of the element, not located near the linking bayonet. The feed unit has two separate cable inputs and the terminals are totally separated and independent.

Model	Item	Weight (kg)
All	71561002	1.600

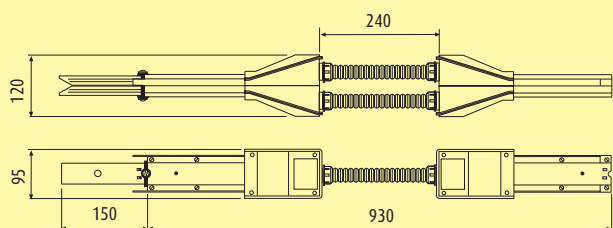
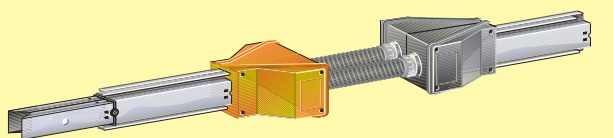
Cable gland selection page 136



END COVER

To be used with the end-line feed unit.

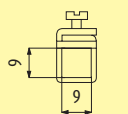
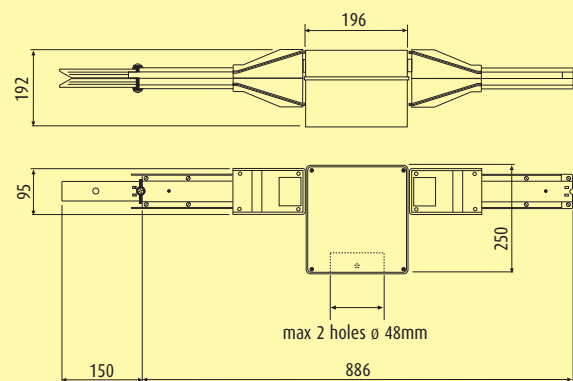
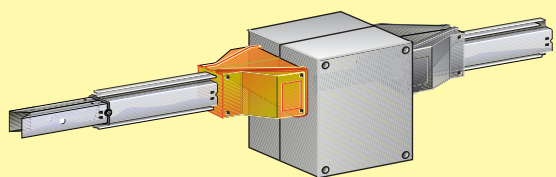
Model	Item	Weight (kg)
All	71561302	0.786



FLEXIBLE JOINT 25/40A

Used to make changes of direction.

Model	Item	Weight (kg)
All	71561261	3.000



Max. cable section 35 mm²

CENTRE FEED UNIT 25/40A

Used to power a busbar from an intermediate point. The intermediate power box is also used for reducing the voltage drop of the line.

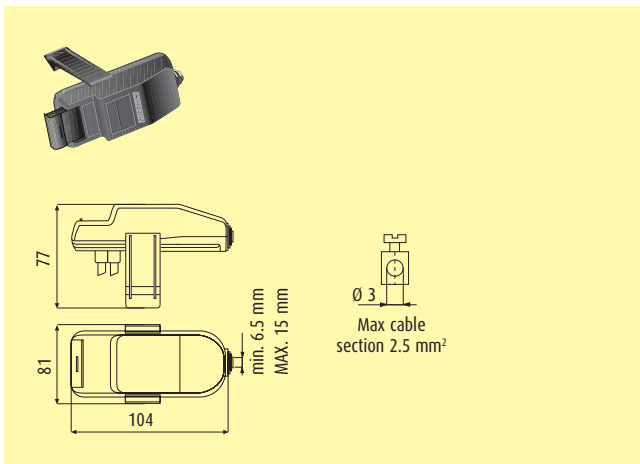
Model	Item	Weight (kg)
All	71561151	3.800

HLd plugs

HLd PLUGS

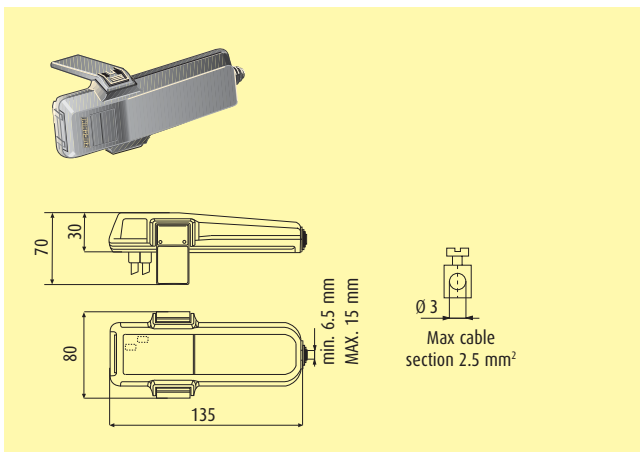
	Model				Item	Rating	Fuse	Phase	Cable length	Cable end	Colour
	2522 4022	2542 4042	2544 4044	2x4							
=>	•	•	•	•	71505030	16 A	Ø5x20	selectable	-	-	grey
=>	•	•	•	•	71505031	16 A	-	selectable	-	-	grey
	•	•	•	•	71505032	16 A	-	selectable	1m	stripped	grey
	•	•			71515030	16 A	Ø5x20	L1-N	-	-	blue
	•				71515031	16 A	Ø5x20	L2-L3	-	-	orange
				•	71575030	16 A	Ø5x20	L1-L2	-	-	blue
				•	71575031	16 A	Ø5x20	L3-L4	-	-	black
				•	71575032	16 A	Ø5x20	L5-L6	-	-	orange
				•	71575033	16 A	Ø5x20	X-Z	-	-	brown

=> Specifies the most frequently used plugs.



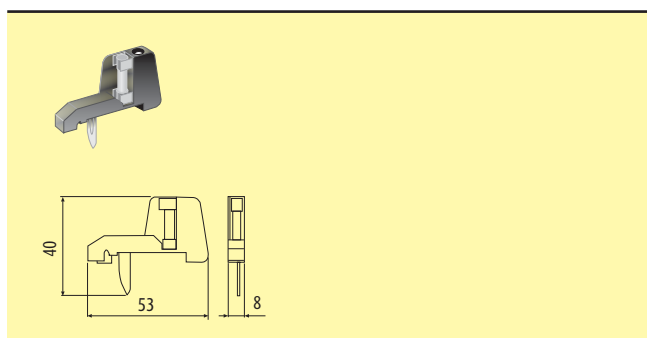
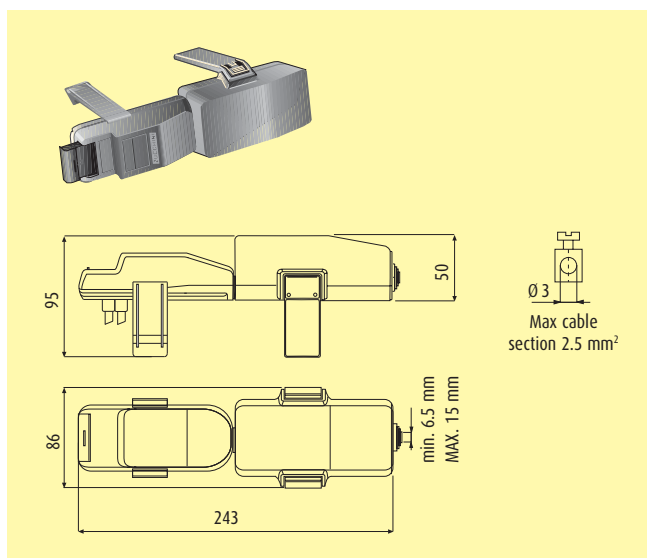
SINGLE-PHASE PLUGS WITH CH8 FUSE CARRIER

	Model				Item	Rating	Fuse	Phase	Cable length	Cable end	Colour
	2522 4022	2542 4042	2544 4044	2x4							
	•	•	•	•	71505059	16 A	Ø8.5x31.5	selectable	-	-	grey
		•	•		71505070	16 A	Ø8.5x31.5	L1-N	1m	stripped	grey
		•	•		71505071	16 A	Ø8.5x31.5	L2-N	1m	stripped	orange
		•	•		71505072	16 A	Ø8.5x31.5	L3-N	1m	stripped	blue



THREE-PHASE PLUGS WITH FUSE CARRIER

Model				Item	Rating A	Fuse	Phase	Colour
2522	2542	2544	2x4	71505035	16 A	Ø8.5x31.5	L1-L2-L3-N	grey
4022	4042	4044						



MOVABLE CONTACT

To be added to create three-phase versions of the safety tap-off plugs (2 for each plug).

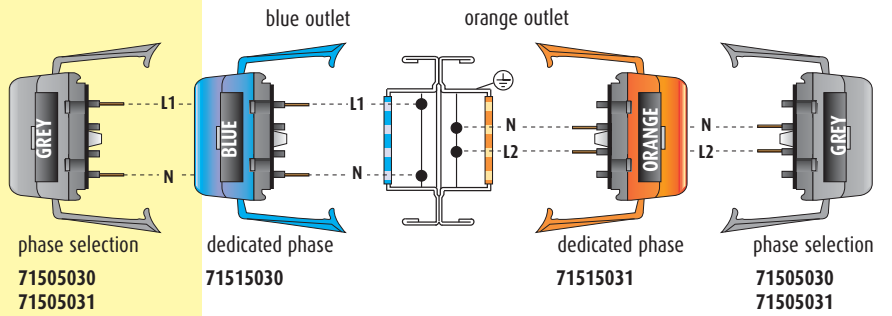
Item	Rating A	Fuse	Weight (kg)
71005028*	16	1	0.010
71005029	16	0	0.010

* 16 A contact with 6.3 A fuse

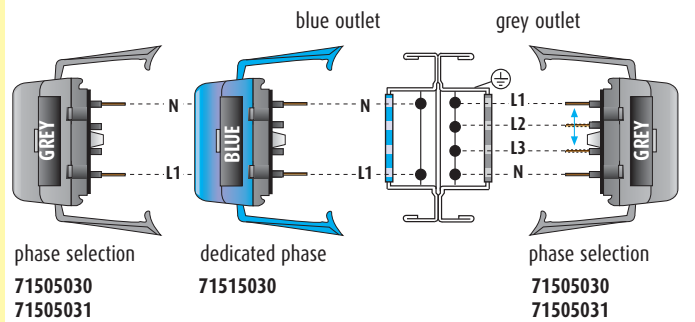
HLd plugs



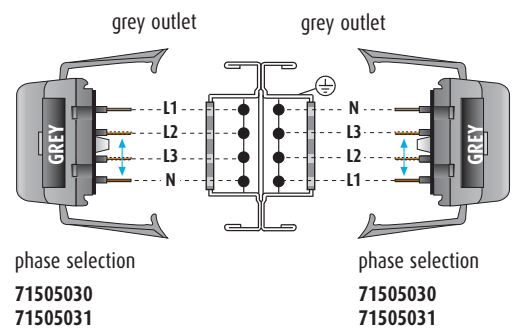
HL 2522 - HL 4022



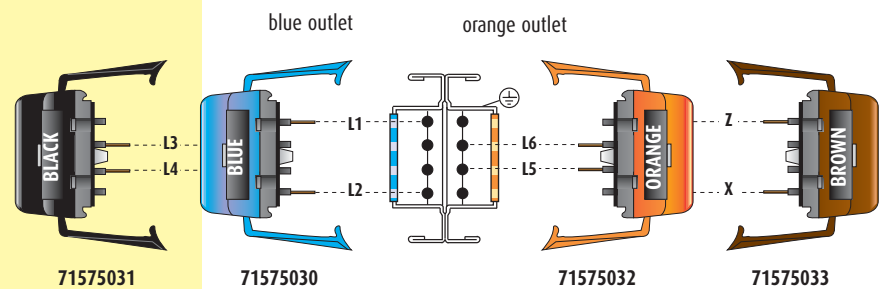
HL 2542 - HL 4042



HL 2544 - HL 4044

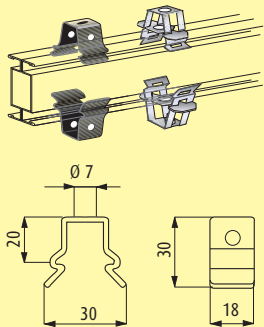


HL 2 X 4



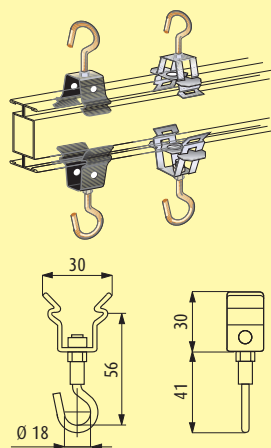
4 INDEPENDENT single-phase circuits

Fixing supports



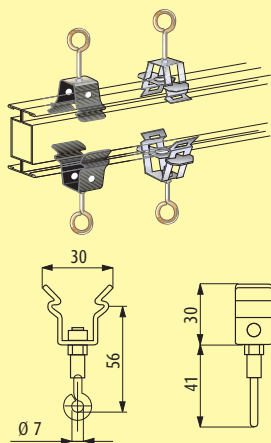
SNAP-ON BRACKET (MAX. 15 kg)

Model	Item	Weight (kg)
Burnished Steel	71003003	0.021
STAINLESS STEEL	71203701	0.021



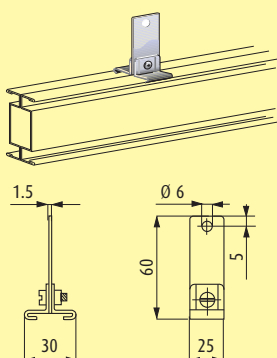
SUSPENSION HOOK (MAX. 15 kg)

Model	Item	Weight (kg)
Burnished Steel	71005002	0.025
STAINLESS STEEL	71203702	0.025



SUSPENSION RING (MAX. 15 kg)

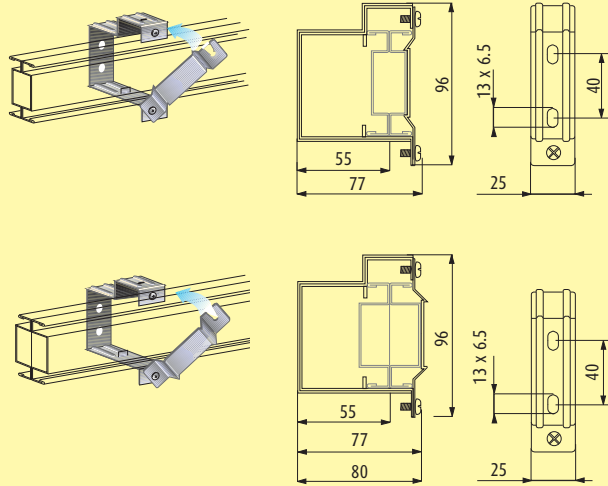
Model	Item	Weight (kg)
Burnished Steel	71005015	0.025
STAINLESS STEEL	71203703	0.025



SUSPENSION BRACKET (MAX. 15 kg)

Item	Weight (kg)
71003001	0.033

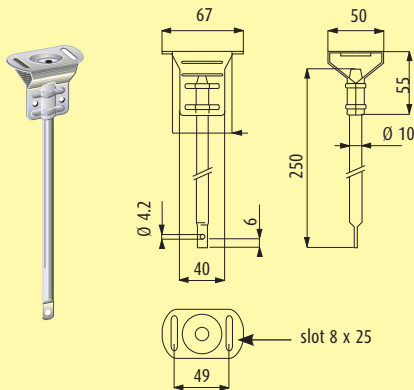
Fixing elements



WALL SUSPENSION BRACKET

For wall mounting of the HLD elements, it is possible to connect the plug on the internal side only if the busbar is taken out of the wall bracket, then insert the plug and replace the element afterwards.

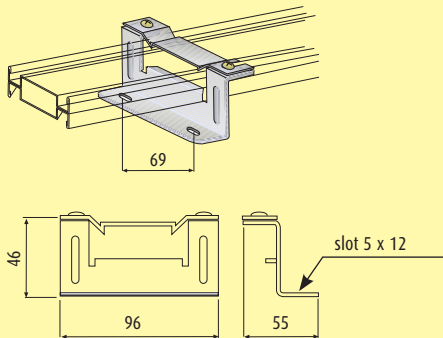
Item	Weight (kg)
71003009	0.090



CEILING BRACKET HOLDER

Must be used with the code 71003001 suspension bracket.

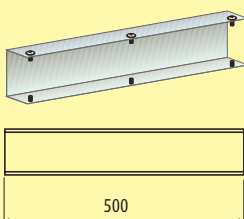
Item	Weight (kg)
73003312	0.136



FLOOR FIXING BRACKET

Only for the HLDs single version. Suitable for horizontal HLDs floor fastening.

Item	Weight (kg)
71003018	0.090
Compatible with:	
HL 252, HL 402, HL 254, HL 404	

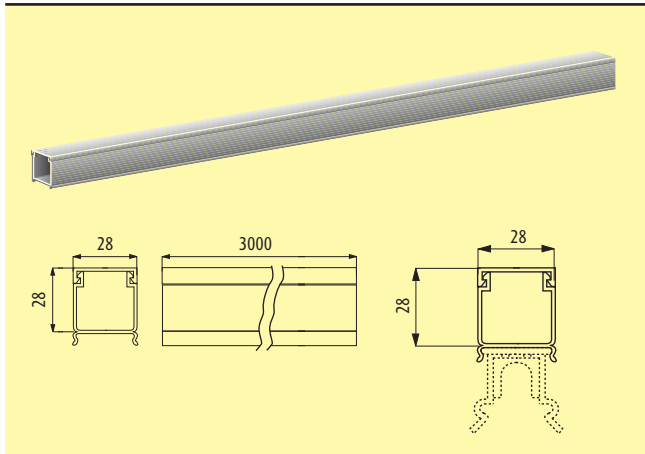


JUNCTION STIFFENER

To be used for strengthening bracket links with suspension centre distances that are over 5m.

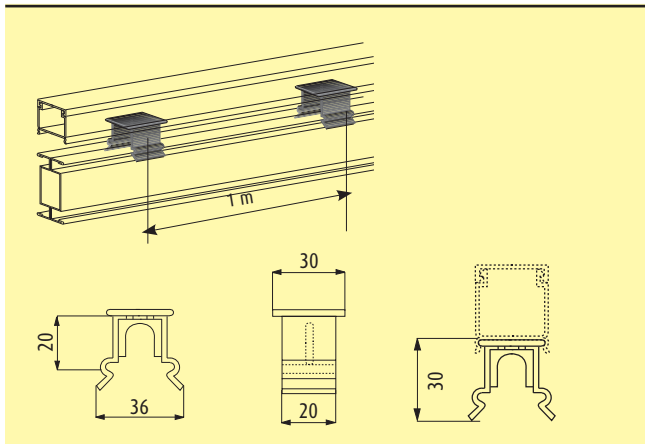
Model	Item	Weight (kg)
for single-type	71042024	0.200
for dual-type	71042025	0.200

Cable channel and accessories



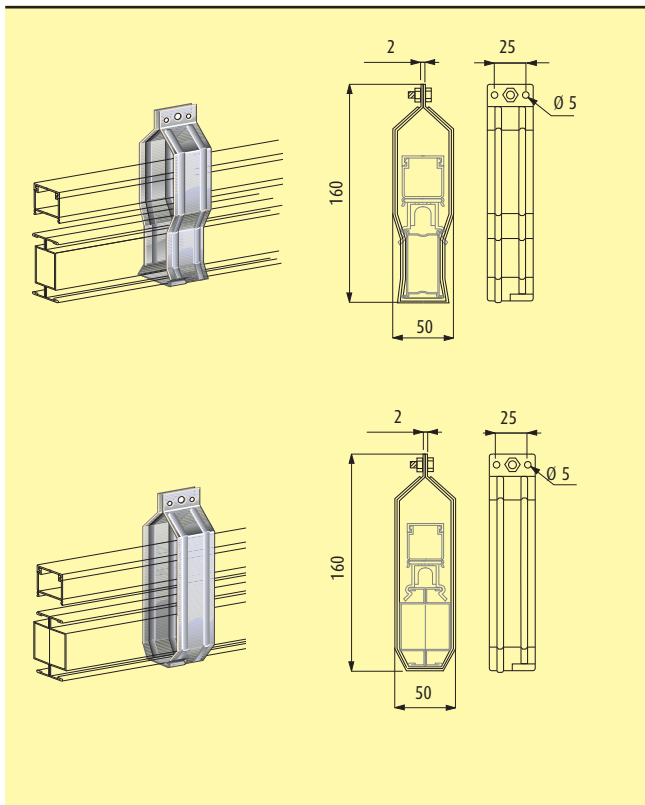
CABLE CHANNEL WITH COVER (RIGID PVC)

Model	Length [m]	Weight (kg)
71000104	3	0.884



SPACER FOR CABLE CHANNEL

Item	Weight (kg)
71003007	0.006



HLs - SUSPENSION BRACKET FOR CABLE CHANNEL

Overhead bracket to be used when the cable trunking is used above the busbar.

Item	Weight (kg)
71003006	0.108

Compatible with:
HL 252, HL 402, HL 254, HL 404

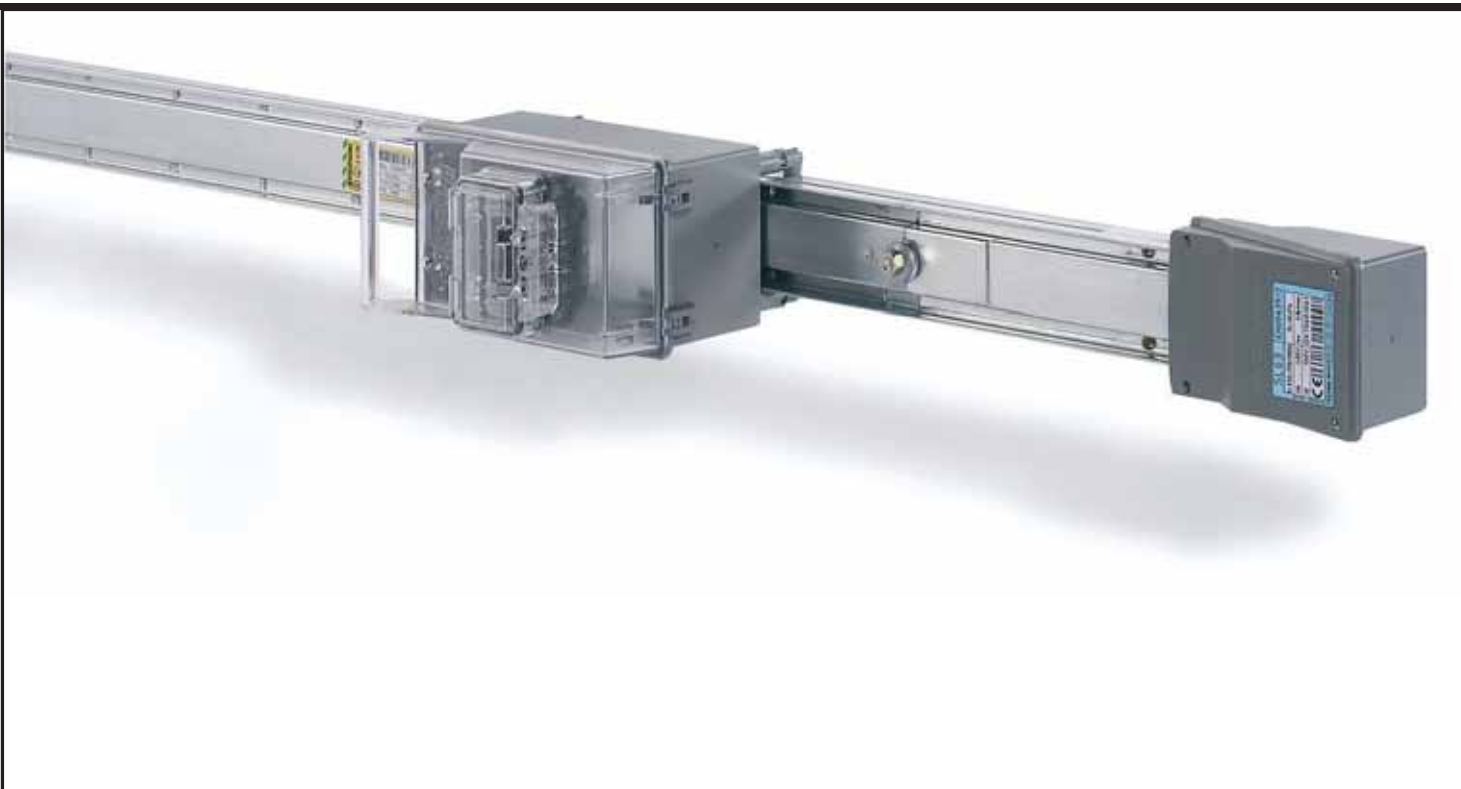
HLd - SUSPENSION BRACKET FOR CABLE CHANNEL

Suspension bracket to be used when the cable trunking is used above the busbar.

Item	Weight (kg)
71503006	0.108

Compatible with:
HL 2522, HL 4022, HL 2544, HL 4044, HL 2542, HL 4042, HL 2 x 4

SL - SERIE LUCE 40 - 63A



SECTION CONTENTS

- 44 **General features**
- 50 **Trunking components**
- 52 **Plugs and tap-off boxes**
- 53 **Fixing supports**
- 55 **Cable channel and accessories**
- 130 **Technical information**
- 135 **Determination of the operating current of a busbar**

SL Serie Luce

■ GENERAL FEATURES

The Zucchini SL line is suitable for powering small one-phase and three-phase equipment, such as: industrial refrigerators, lathes, hand tools, etc. The main features of the SL range are:

- speed, simplicity and flexibility when installing and planning the lines;
- reduced dimensions;
- a rigid and robust structural design for severe installation conditions;
- tap-off boxes with possibility of local protection with mcbs (Legrand Lexic series);
- capable of being installed in systems with a bracket centre distance of up to 6m;
- compliance with Standard IEC 60439-1 and 2;
- rated at average room temperature of 40°C for a higher performance level compared to the 35°C rating required by the standard.



Shopping centres



Small industries



■ STRAIGHT ELEMENTS

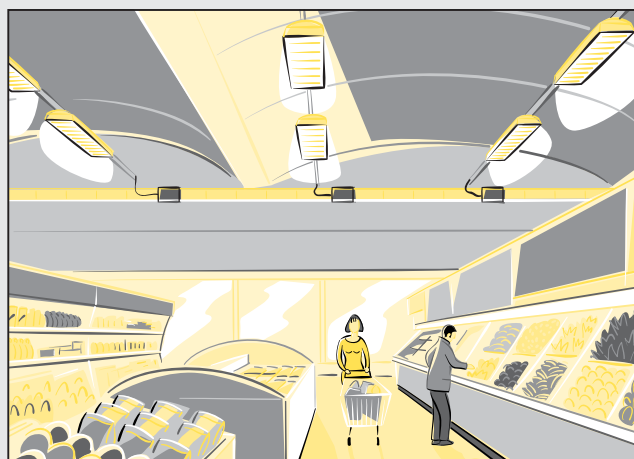
The components and the features of the SL straight elements are:

- a “beam-shaped” section, made with hot galvanized steel (Senzimir) which, thanks to its section and electrical continuity, can also serve as a protective conductor;
- casing thickness: 0.8mm;
- busbar dimensions: 26x62mm;
- number of conductors: 4 copper conductors with purity no less than 99.9%; section of conductors: 9.5 mm² per In 40A and 12.3 mm² per In 63A;
- separation between the conductors by using a V0 self-extinguishing insulating plastic sheathe (according to UL94) and in compliance with the glow-wire test according to IEC 60695-2-10;
- tap-off outlets (IP40/IP 55) with a centre distance of 0.75 m (4 outlets every 3m), set up for being connected with plugs and/or tap-off boxes;
- an electrical joint block for automatically connecting live parts.

The connection between two straight elements is quick; with one operation the electric and a mechanical connection is easily made. The IP40 performance of the SL line can be easily upgraded to IP 55 with joint covers and outlet covers. The continuity of the protective earth is automatically ensured when two components are joined. The whole busbar is fire retardant in compliance with the IEC 60332-3 standard. There are also 3m straight elements with 6 or 10 tap-off outlets. These versions, which are characterized by high density junction points, are particularly valued in floating underfloor installations or when distributing energy on board the machine.



Power lines



Light lines

SL Serie Luce

■ FEED UNITS

The feed unit is assembled to the run in an identical manner as with the straight elements. The feed units have terminals for the connection of copper cables for sections of up to 25 mm².

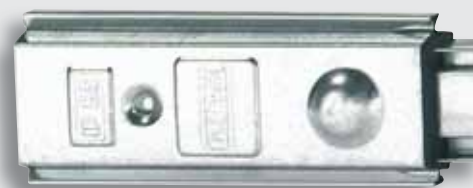
There is an anti-pullout cable clamp jumper inside the power supply. The entrance point of the cables is positioned on the end of the feed unit.



Feed unit

■ END COVER

The end cover ensures the IP 55 protection degree at the end of the line.



End cover

■ FIXING SUPPORTS

Specific accessories are available for fixing the line to the structure of the building (directly or with a steel chain or cable). The accessories for overhead fixing are:

- snap clamp: the snap-on installation is extremely fast. This bracket is suitable both for overhanging the busbar to the ceiling and for hanging products such as fluorescent lamps, tap-off boxes, etc., to the busbar itself;
- snap clamp with ring or hook: the ring or the hook enables to hang lamps easily;
- simple bracket: used with the ceiling bracket holder, it enables the installation the busbar directly onto the ceiling at a distance of about 25cm;
- wall bracket: enables the fixing of the busbar directly onto the wall of a building, setting it at the required distance enabling the installation of the necessary components.



Fixing accessories for fastening the busbar run to the structure and hanging the lamps onto the busbar

■ PLUGS AND TAP-OFF BOXES

Used for connecting and energizing small single and three-phase loads; their features include:

- manoeuvrability when energized;
- the PE contact (protective earth) is the first to make an electrical connection when inserting the plug into the outlet and it is the last to disconnect when pulling it out;
- all insulating plastic components are in compliance with the glow-wire test (IEC 60695-2-10) with V1 self-extinguishing degree (UL94);
- IP 55 according to Standard IEC 60529, with no additional accessories.

Tap-off plugs are three-phase, 32A plugs available in two versions; without fuse or with 10.3 x 38mm fuse carriers.

Tap-off boxes allow local protection of the derivation using the Legrand Lexic DIN rail mounting mcbs.

The following are available:

- a) 32A empty tap-off boxes with a disconnection system integrated into the cover: when the cover is opened the power is automatically disconnected from all the accessible metal parts;
- b) 32A tap-off box with a 4 module DIN window: In these boxes, the window allows the possibility of operating the Lexic DIN rail modules without opening the cover.



Tap-off box

Trunking components and additional elements

Depending on the different installation requirements Zucchini can provide various technical solutions:

a) Flexible joint: used to make changes of direction or to avoid possible interferences that may be found on the natural path of the busbar. The features are as follows:

- same connection method as the straight elements;
- electrical and mechanical connection with one operation;
- degree of basic protection IP40 (IP 55 with joint covers and outlet covers);

• continuity of the protective conductor, made from the casing of the element itself, guaranteed by tightening the special connection screw;

b) cable trunking with cover: this accessory, which can be positioned on the upper or lower part of the busbar, can be used to distribute auxiliary circuits. It is an integral part of the busbar by using special spacers and brackets which hold the busbar trunking system firmly.



The end cover completes the installation of the lines and guarantees the degree of protection of the line.

32A tap-off boxes with transparent cover for modular circuit breakers - 4 DIN modules.

Ring clamp for hanging lighting or suspension of the busbar with chain or wire cable.

Snap-on bracket.

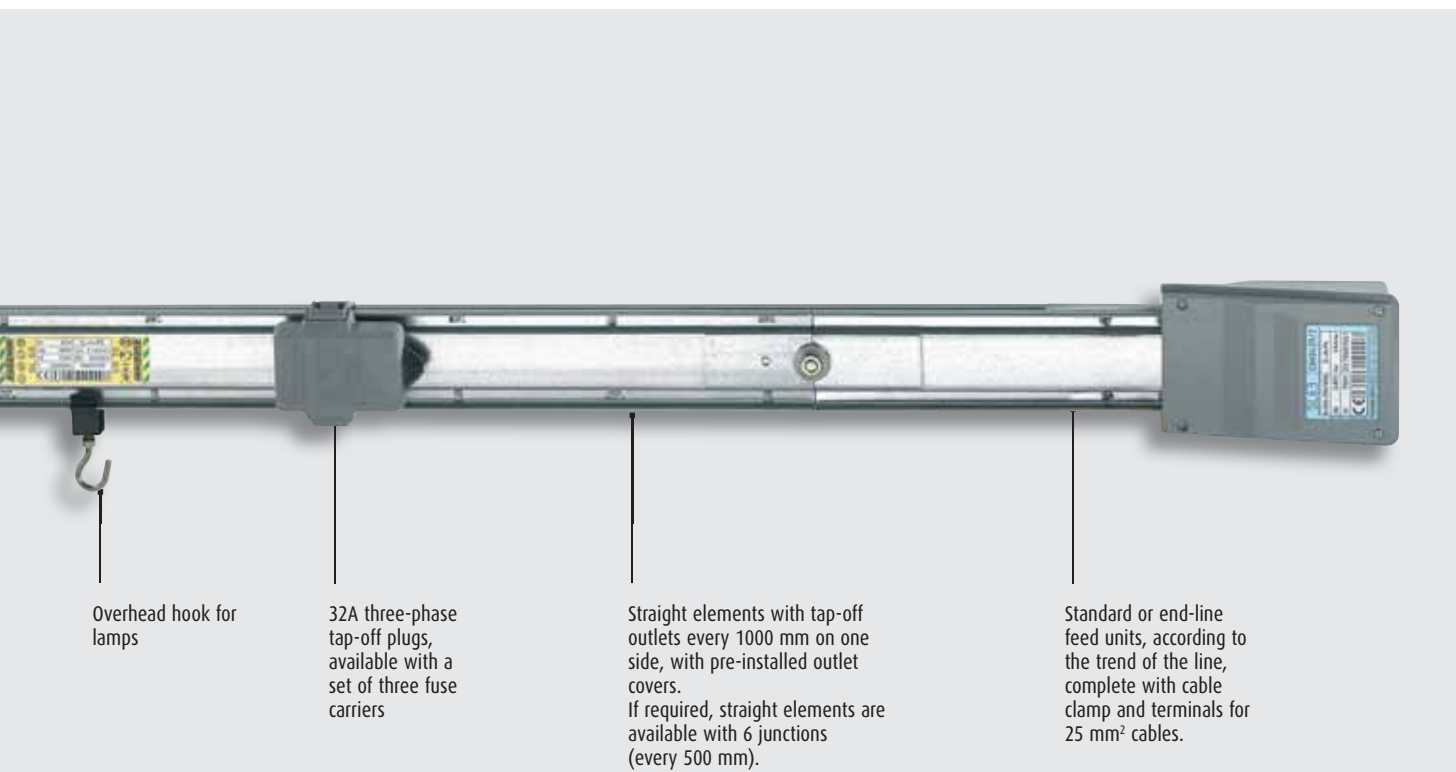
■ PARTS OF THE LINE



Tap-off box



Flexible joint



Overhead hook for lamps

32A three-phase tap-off plugs, available with a set of three fuse carriers

Straight elements with tap-off outlets every 1000 mm on one side, with pre-installed outlet covers.
If required, straight elements are available with 6 junctions (every 500 mm).

Standard or end-line feed units, according to the trend of the line, complete with cable clamp and terminals for 25 mm² cables.



Wall mounting bracket



Simple suspension bracket

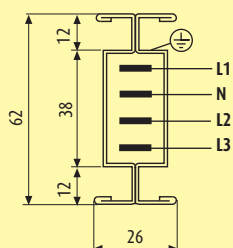
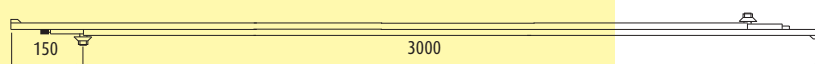
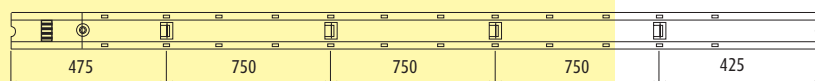
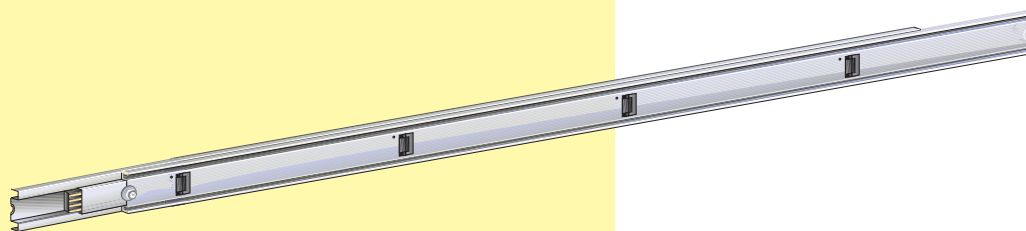


Snap-on stainless steel brackets



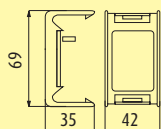
Outlet cover

Trunking components



STRAIGHT ELEMENT

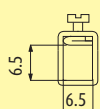
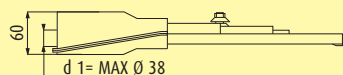
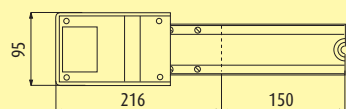
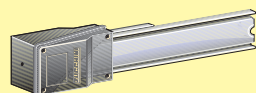
Model	Item	Length (m)	Rating (A)	No. of outlets	Weight (kg)
SL40	70400101	3	40	4	6.200
SL40	70400111	3	40	6	6.800
SL40	70400112	3	40	10	7.300
SL40	70600102	1.5	63	2	3.850
SL63	70600101	3	63	4	6.500
SL63	70600111	3	63	6	6.900
SL63	70600112	3	63	10	7.400
SL63	70600102	1.5	63	2	3.850



IP 55 OUTLET COVER

Item	Weight (kg)
71002062	0.474

One cover needed per unused outlet

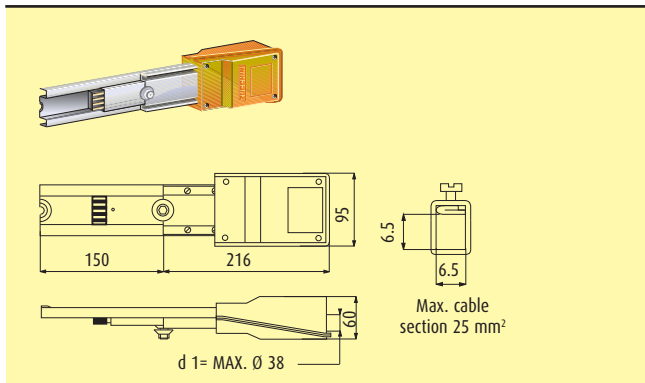


Max. cable section 25 mm²

STANDARD FEED UNIT

Model	Item	Weight (kg)
IP 55	70601061	0.750

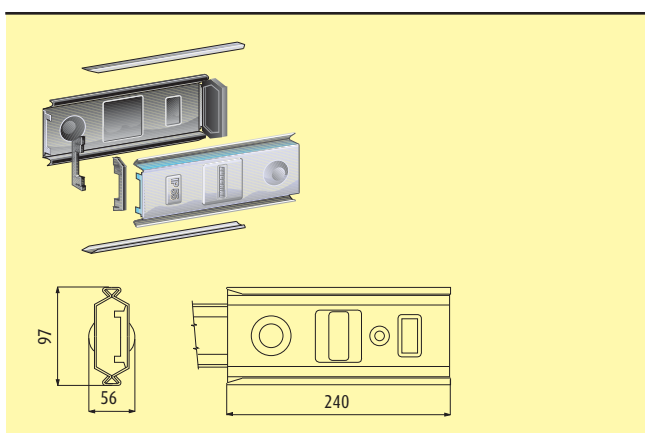
Cable gland selection page 136



END-LINE FEED UNIT

Model	Item	Weight (kg)
IP 55	70601062	0.826

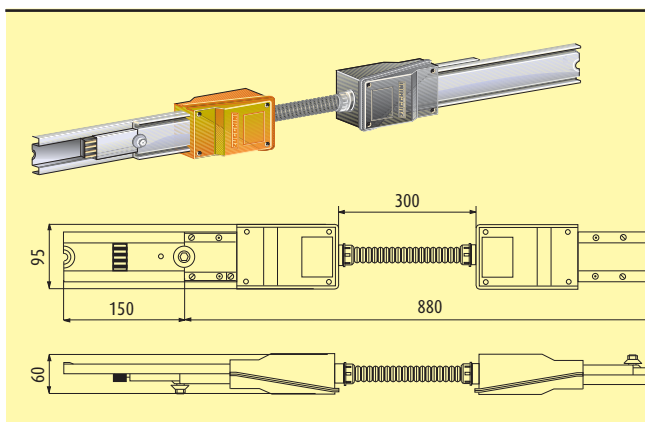
Cable gland selection page 136



IP 55 END COVER

Ensures the IP 55 at the end of the line. Used with standard and end-line feed unit.

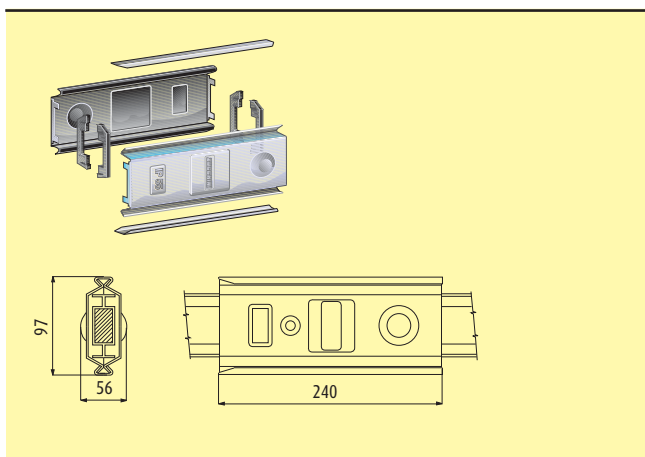
Item	Weight (kg)
71001351	0.570



FLEXIBLE JOINT

Used to make changes of direction.

Item	Weight (kg)
70601261	1.900

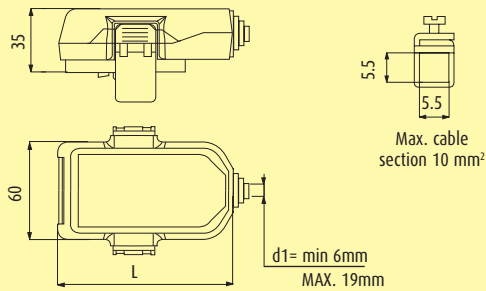
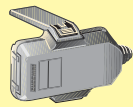


IP 55 JOINT COVER

When applied to each joint it increases the line from IP40 to IP 55.

Item	Weight (kg)
71002051	0.474

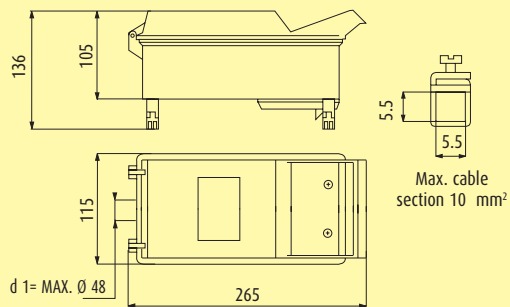
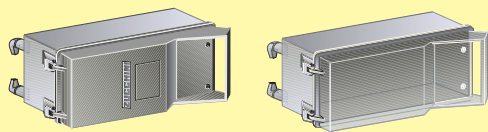
Plugs and tap-off boxes



32A TAP-OFF PLUGS 3P+N

Model	Item	Rating (A)	Fuse junctions	L= [mm]	Weight (kg)
IP 55	70605051	32	-	80	0.070
IP 55	70605052	32	⊖-∅ 10.3x38 *	105	0.100

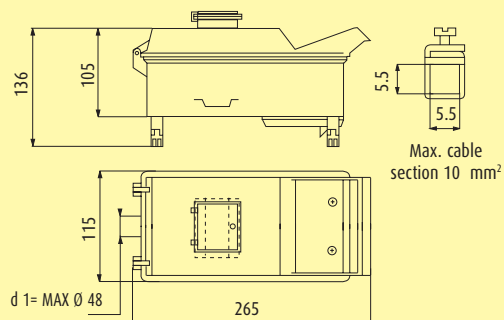
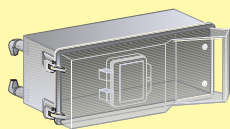
* Fuses not supplied



32A EMPTY TAP-OFF BOXES 3P+N

Model	Item	Feature	Weight (kg)
IP 55	70605054	Grey cover	0.700
IP 55	70605055	Transparent cover	0.700

Cable gland selection page 136



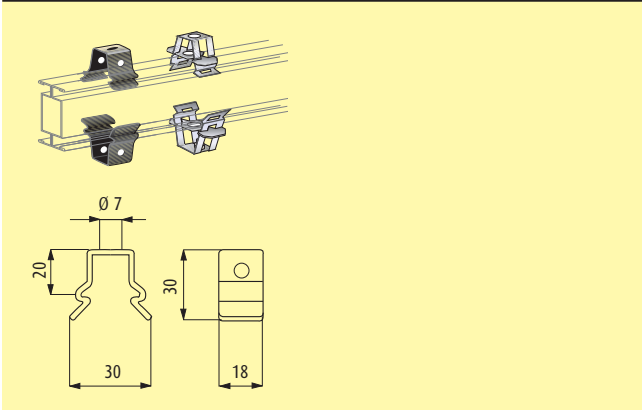
32A TAP-OFF BOX WITH TRANSPARENT COVER AND DOOR

(set up for modular circuit breakers - max 4 DIN modules).

Model	Item	Weight (kg)
IP 55	70605053	0.800

Cable gland selection page 136

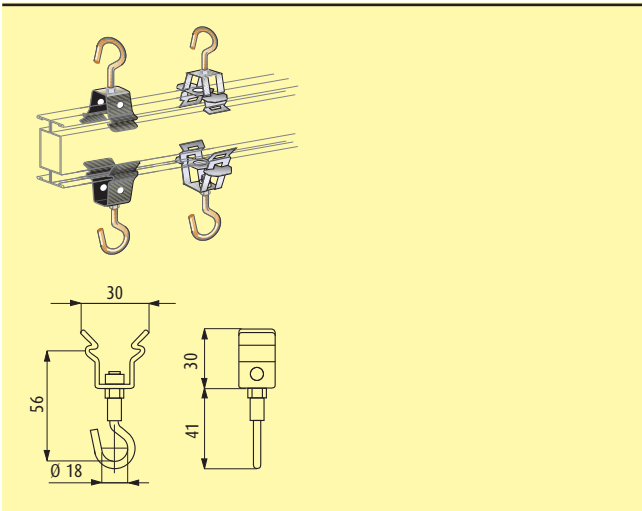
Fixing supports



SNAP-ON BRACKET (MAX 15 KG)

Suspension support to be fixed on the element edges.

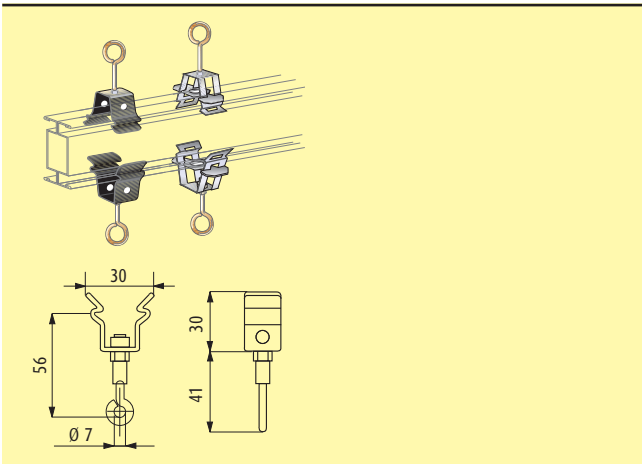
Model	Item	Weight (kg)
Burnished Steel	71003003	0.021
Stainless steel	71203701	0.021



SUSPENSION HOOK (MAX 15 KG)

Suspension support to be fixed on the element edges.

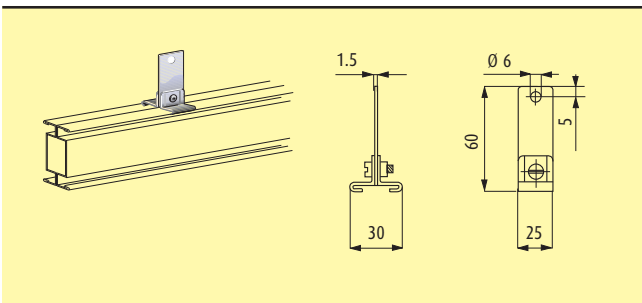
Model	Item	Weight (kg)
Burnished Steel	71005002	0.025
Stainless steel	71203702	0.025



SUSPENSION RING (MAX 15 KG)

Suspension support to be fixed on the element edges.

Model	Item	Weight (kg)
Burnished Steel	71005015	0.025
Stainless steel	71203703	0.025

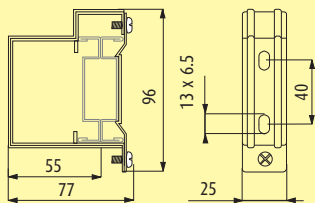
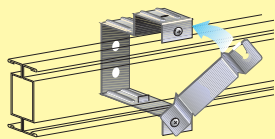


STANDARD SUSPENSION BRACKET (MAX 15 KG)

Suspension support to be fixed on the element edges.

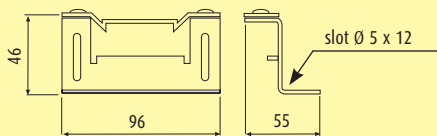
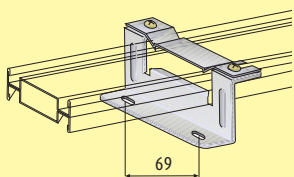
Item	Weight (kg)
71003001	0.033

Fixing supports



WALL SUSPENSION BRACKET

Item	Weight (kg)
71003009	0.090

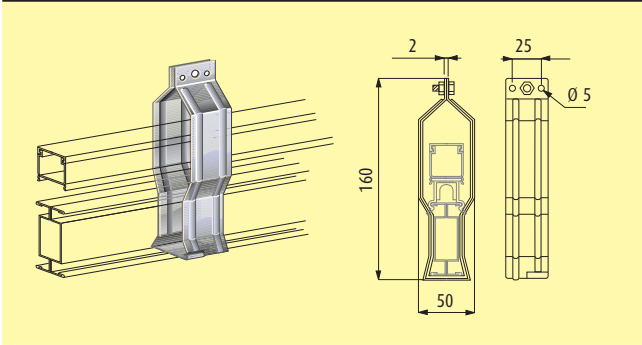


FLOOR FIXING BRACKET

Suitable for horizontal floor fastening.

Item	Weight (kg)
71003018	0.090

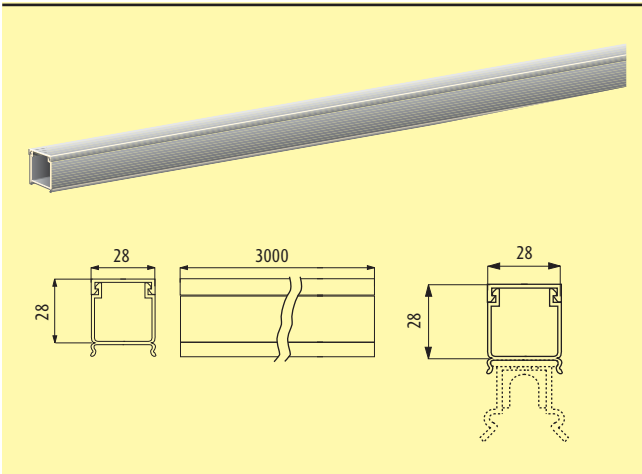
Cable trunking and accessories



SUSPENSION BRACKET FOR CABLE CHANNEL

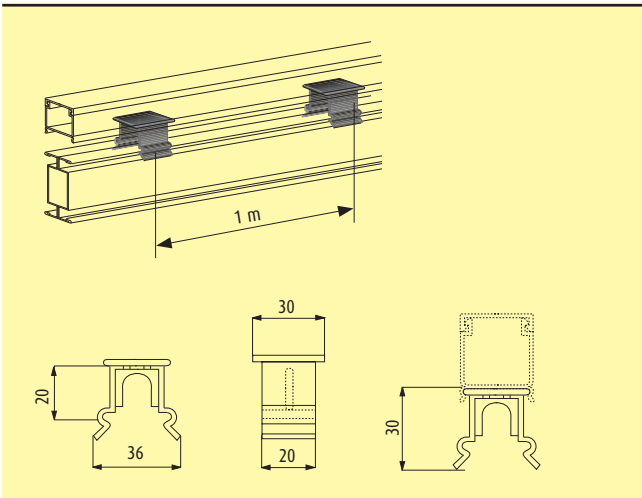
Overhead bracket to be used when the cable trunking is used.

Item	Weight (kg)
71003006	0.108



CABLE CHANNEL WITH COVER (RIGID PVC)

Item	Length [m]	Weight (kg)
71000104	3	0.884



SPACER FOR CABLE CHANNEL

Item	Weight (kg)
71003007	0.006

A spacer must be used for every metre of conduit



Legrand België nv

Kouterveldstraat, 9

1831 Diegem

Tel.: +32 (0)2 - 719 17 11

Fax: +32 (0)2 - 719 17 00

E-mail: info.be@legrandgroup.be