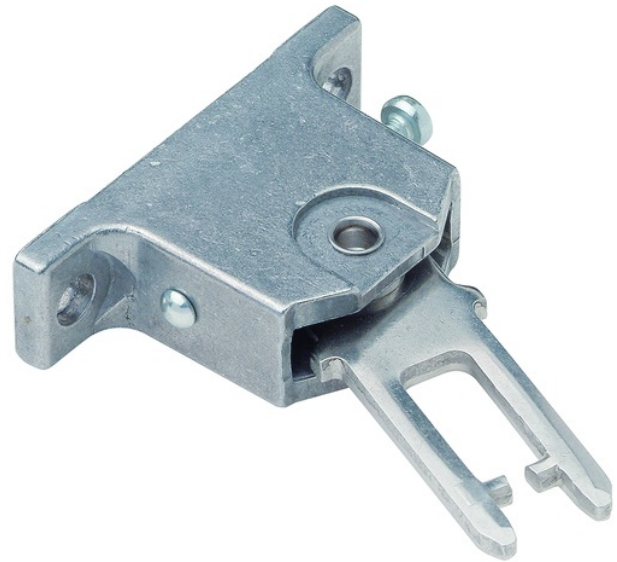


RADIUSBETAETIGER-P-LR (ORDER NO. 059440)

Hinged actuator, left/right, for safety switch NP/GP/TP

- ▶ Actuator made of stainless steel
- ▶ Two stainless-steel safety screws per actuator
- ▶ For doors hinged on the right and left

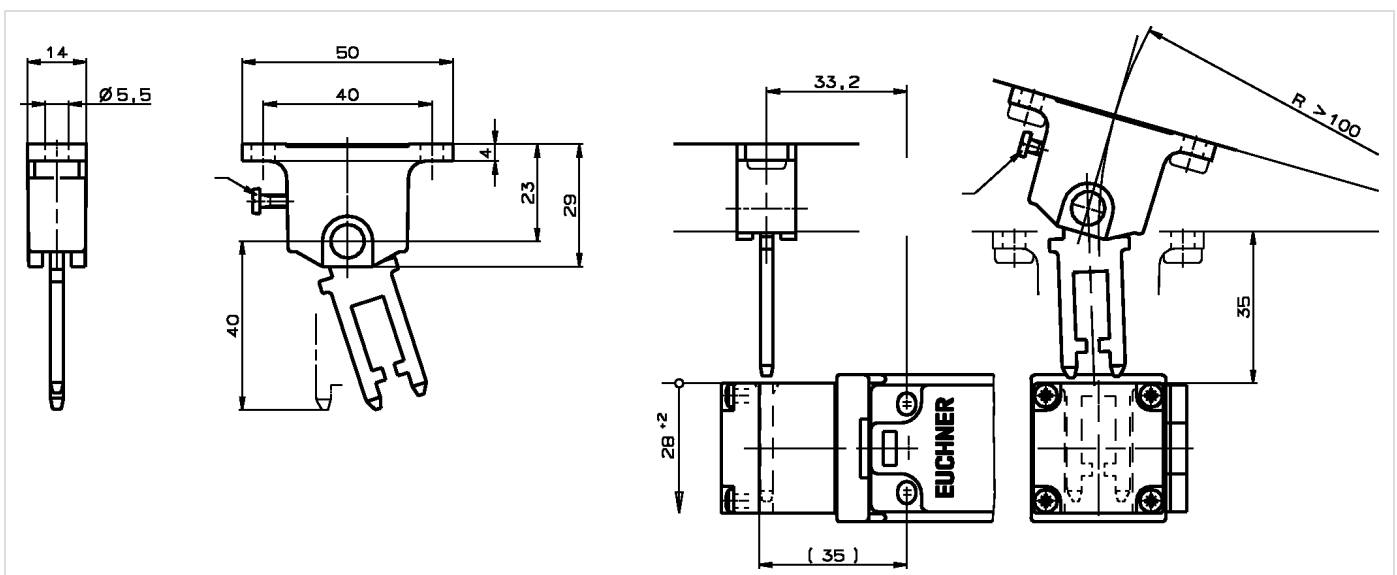


Description

Hinged actuators

For door radii less than 1,000 mm a hinged actuator should be used. The spring action movement of the actuator prevents damage due to the actuator jamming in the actuating head. Depending on the movement of the guard, the actuator must be selected for left/right or top/bottom.

Dimension drawings



Technical data

Mechanical values and environment

Door radius	min. 100 mm
Material	
	Screw Stainless steel
	Actuator Stainless steel
Overtravel	max. 2 mm

Miscellaneous

Usability of insertion funnel	no
-------------------------------	----

Accessories

Mounting accessories

Mounting plates EMP-B1 for actuators for safety switches CTP, CTA, TP...A, STA, STP, TX and TZ



093457
EMP-B1

Safety screws M5 x 10

073455
M5X10-NIRO/V100 NZ/TZ

- ▶ Safety screws M5 x 10
- ▶ Packaging unit 100 pieces

Contacts

🏠 EUCHNER GmbH + Co. KG
Kohlhammerstraße 16
70771 Leinfelden-Echterdingen

☎ +49 711 7597-0

📠 +49 711 753316

✉ info(at)euchner.de