

Switch disconnecter with fuse in new design Iu=160 A, Ue = 690 V, 3-pole for LV HRC fuse Sz. 00 with door operating mechanism 8UC7 Handle dark blue/blue-green Basic masking frame light gray



Figure similar

Model	
Product brand name	SETRON
version	Complete version with rotary operating mechanism
Design type	For mounting and installation
Design of the operating mechanism	manual operating mechanism
Design of the load switch / Strip form	No
Type of the driving mechanism / motor drive	No
Number of poles	3
Size of disconnecting link	00 and 000
Fuse system	LV HRC fuse
Insulation voltage / rated value	1 000 V
Surge voltage resistance / rated value	8 000 V
Type of voltage	AC/DC
Operating voltage	
• at AC / at 50/60 Hz / rated value	690 V
• at DC / rated value	440 V

Protection class

Protection class IP	IP00
Dissipation	
Power loss [W] / for rated value of the current / at AC / in hot operating state / per pole	12 W
Current	
Operating current / at AC-21 / rated value	160 A
Continuous current / rated value	160 A
Let-through current / I _{2 t} / maximum permissible / in utilization category / AC-22 B / at 400 V	223 000 A ² ·s
Main circuit	
Number of poles / for main current circuit	3
Operating power	
• at AC-23 A / at 400 V / at 50/60 Hz / rated value	80 000 W
• at AC-23 A / at 500 V / at 50/60 Hz / rated value	80 000 W
• at AC-23 A / at 690 V / at 50/60 Hz / rated value	110 000 W
Rated current I _e / maximum / in utilization category	
• AC-21 A / at 400 V	160 A
• AC-21 A / at 500 V	160 A
• AC-21 B / at 400 V	160 A
• AC-21 B / at 500 V	160 A
• AC-22 A / at 400 V	160 A
• AC-22 A / at 500 V	160 A
• AC-22 B / at 400 V	160 A
• AC-22 B / at 500 V	160 A
Auxiliary circuit	
Number of CO contacts / for auxiliary contacts	0
Number of NC contacts / for auxiliary contacts	0
Number of NO contacts / for auxiliary contacts	0
Product feature / interlock	Yes
Short circuit	
Conditional rated short-circuit current	
• 400V	100 kA
• 500V	100 kA
• in utilization category / AC-21 A / at 400 V	100 kA
• in utilization category / AC-21 A / at 500 V	100 kA
• in utilization category / AC-21 B / at 400 V	100 kA
• in utilization category / AC-21 B / at 500 V	100 kA
• in utilization category / AC-22 A / at 400 V	100 kA
• in utilization category / AC-22 A / at 500 V	100 kA
• in utilization category / AC-22 B / at 400 V	100 kA

• in utilization category / AC-22 B / at 500 V

100 kA

Connections

Connectable conductor cross-section	
<ul style="list-style-type: none"> • for main contacts <ul style="list-style-type: none"> — stranded 	120 mm ²
Type of connection, main circuit	flat pad connection, M8
Type of electrical connection	
<ul style="list-style-type: none"> • for main current circuit 	flat connector

Mechanical Design

Height	125 mm
Width	185 mm
Depth	143 mm
Type of mounting	fixed mounted
Mounting type	Surface mounting and installation
Mounting type	
<ul style="list-style-type: none"> • front mounting with 4-hole attachment • front mounting with central attachment • rail mounting 	No No No
Mounting position	any
<ul style="list-style-type: none"> • during operation • during storage 	-25 ... +55 °C -50 ... +80 °C

Certificates

Certificate of suitability	CE
Reference code	
<ul style="list-style-type: none"> • acc. to DIN EN 61346-2 	Q

General Product Approval	Declaration of Con- formity	other
---------------------------------	--	--------------



CCC



UR



EG-Konf.

Environmental Confirma-
tions

Further information

Information- and Downloadcenter (Catalogs, Brochures,...)

<http://www.siemens.com/lowvoltage/catalogs>

Industry Mall (Online ordering system)

<https://mall.industry.siemens.com/mall/en/en/Catalog/product?mfb=3KL5330-1GB01>

Service&Support (Manuals, Certificates, Characteristics, FAQs,...)

<https://support.industry.siemens.com/cs/ww/en/ps/3KL5330-1GB01>

Image database (product images, 2D dimension drawings, 3D models, device circuit diagrams, ...)

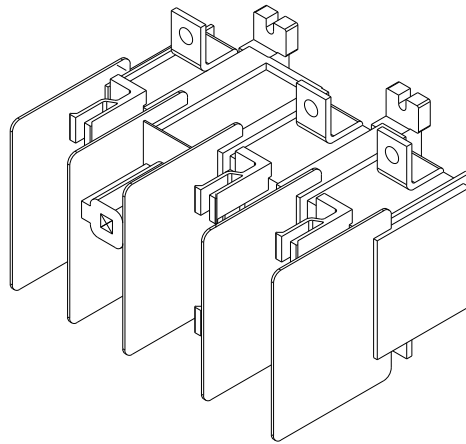
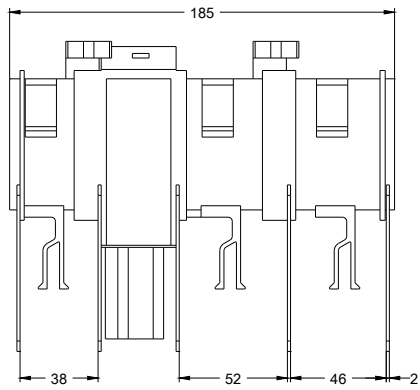
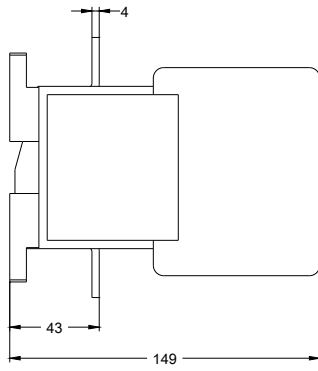
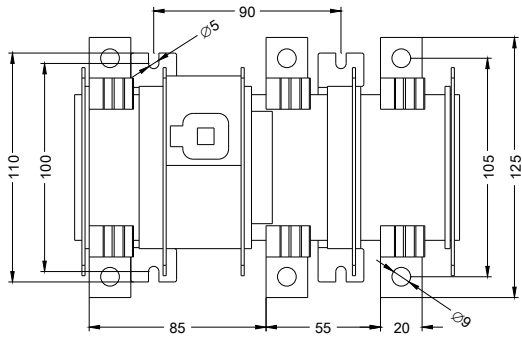
http://www.automation.siemens.com/bilddb/cax_en.aspx?mfb=3KL5330-1GB01

CAX-Online-Generator

<http://www.siemens.com/cax>

Tender specifications

<http://www.siemens.com/specifications>



SIEMENS