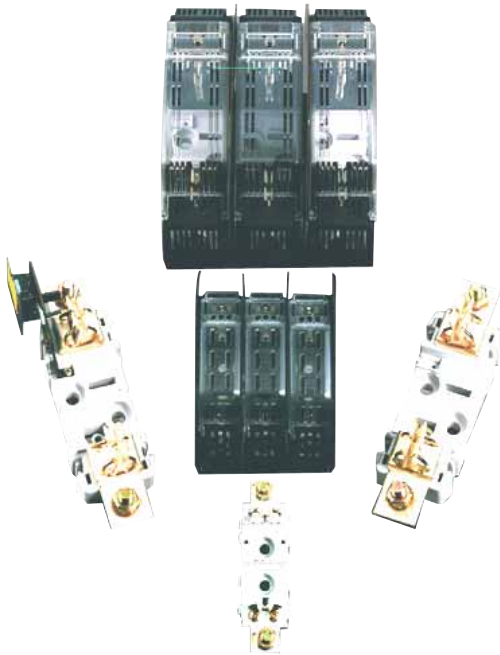




Gears & Fuse Gears

IEC General Purpose Fuses NH Fuses Plastic Bases



00-EP/TP

NH fuse bases are designed for fuse-links with rated voltages up to 690 VAC and 440 VDC. They are in compliance with IEC 60269, DIN VDE 0636, part 21, 201 and DIN 43620 (dimensions).

NH fuse bases are available for delivery in single-pole and three-pole designs and can be closely mounted in parallel rows. Each three-pole base is supplied with two phase-partition walls. NH-ISO plug-on covers which clip onto the contact springs can also be supplied for these bases.

Ceramic fuse bases in sizes 00 to 3 are provided with a single-part steatite base, while size 4 has a metal baseplate with 2 ceramic bases. Plastic fuse bases have a single-part plastic base.

The stable silver-plated contact springs are made of electrolytic copper and formed from one piece. Separate springing is provided by highly resilient captive steel springs, making the contact invulnerable to high thermal stress.

Size 4 NH fuse bases are designed for size 4 fuse-links with 8 mm contact blades.
Size 4a fuse bases are designed for size 4a fuse-links with 6 mm contact blades.

690V Polyester fuse bases for NH fuse-links

- Polyester insulating bases
- Silver-plated contacts
- High-pressure spring contacts (see picture)
- Screw or rail mount

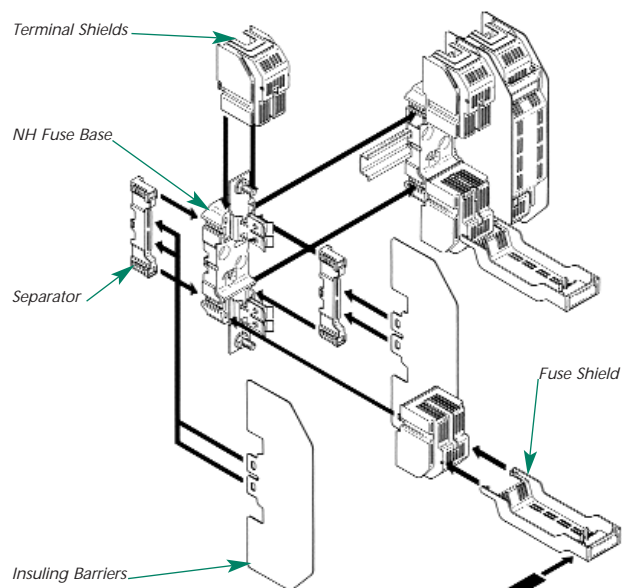


Type EP



Type PP

Connection Detail



Typical NH Polyester Fuse Base Assembly - Exploded View



IEC General Purpose Fuses NH Fuses Plastic Bases

00-EP/TP

Characteristics

- Thermoplastic base highly temperature resistant and self-extinguishable
- Silver-plated contacts with high-contact pressure springs
- Multipolar bases possible by direct linkage in 00 size and with separator accessory in sizes 0, 1, 2 and 3
- Variety of options for protecting active parts through use of accessories: separating plates, separator, cover shields and fuse cover
- Dual cable-connection system on 00 size: by screw or clamp
- Connecting cable: 50 mm
- Fixation on rail or by screw

Type 00-EP* - Fuse bases for NH-00 Fuse-links - Power acceptance: 12W

Poles	Previous Ref.				Ref. Number				Cat. Number				Pack.
	Screw Connector		Clamp Connector		Screw Connector		Clamp Connector		Screw Connector		Clamp Connector		
	Screw MT.	Rail MT.	Screw MT.	Rail MT.	Screw MT.	Rail MT.	Screw MT.	Rail MT.	Screw MT.	Rail MT.	Screw MT.	Rail MT.	
1	41002	42002	41102	42102	F215170	R216192	T219805	F200795	NH00BPLSC1PT0	NH00BPLRL1PT0	NH00BPLSC1PT2	NH00BPLRL1PT2	3
2	41012	42012	41112	42112	A217212	F218758	D200793	T211594	BB002EP	EPO02R	EPB002	EPB002R	2
3	41014	42014	41114	42114	W229122	V229121	W201338	C212108	NH00BPLSC3PT0	NH00BPLRL3PT0	EPB003	EPB003R	1
4	41019	42019	41119	42119	S219275	Z223007	R211592	M215682	EP004	EPO04R	EPB004	EPB004R	1

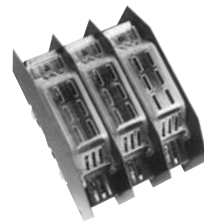
* EP bases have square contacts.



F215170



W229122

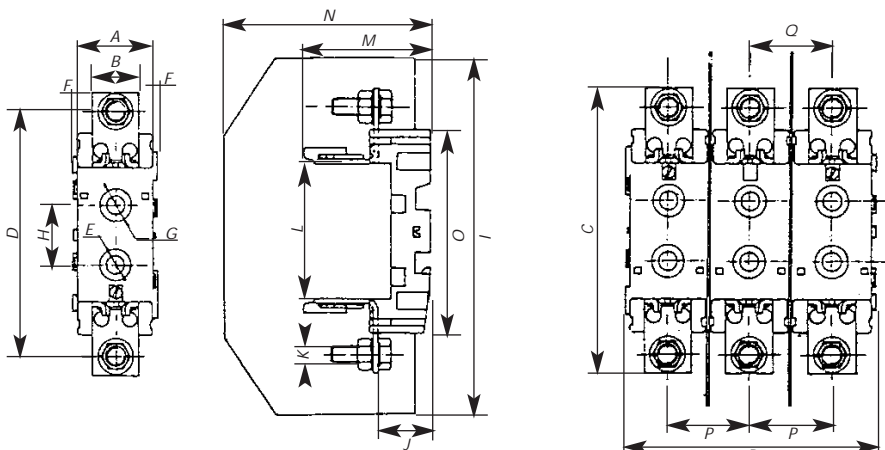


T229120

Type 00-TP - IP20 Fuse bases

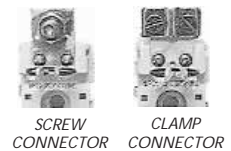
Poles	Previous Ref.				Ref. Number				Cat. Number				Pack.
	Screw Connector		Clamp Connector		Screw Connector		Clamp Connector		Screw Connector		Clamp Connector		
	Screw MT.	Rail MT.	Screw MT.	Rail MT.	Screw MT.	Rail MT.	Screw MT.	Rail MT.	Screw MT.	Rail MT.	Screw MT.	Rail MT.	
1	41003	42003	41103	42103	M216694	S218240	X223005	D211074					3
3	41015	42015	41115	42115	T229120	S229119	B211072	J215173					1

Dimensions



NH 00-E	
A	32
B	20
C	117
D	100
E	8
F	2
G	14
H	25
I	145
J	21,5
K	8
L	56
M	52
N	85
O	84
P	34
Q	1
R	104

Connection



SCREW CONNECTOR CLAMP CONNECTOR



Gears & Fuse Gears

IEC General Purpose Fuses NH Fuses Plastic Bases

O-EP - 0 to 3 PP

Type O-EP* - Fuse Bases for NH-0 Fuse-links - Power acceptance: 25W



S216193

Poles	Previous Ref. Mounting Style		Ref. Num Mounting Style		Cat. Num Mounting Style		Standard Pack
	Screw	Din Rail	Screw	Din Rail	Screw	Din Rail	
1	41202	42202	B213142	S216193	NH0BPLSC1PT0	EP01R	3
2	41212	42212	C214661	P216696	EP02	EP02R	2
3	41214	42214	G215171	C217214	EP03	EP03R	1
4	41219	42219	Q216191	J217726	EP04	EP04R	1

* EP bases have square contacts. PP bases have clips contacts.

Type O-PP - Fuse Bases for NH-0 Fuse-links

1	41302	42302	N216695	T218241	PP01	PP01R	3
2	41312	42312	B217213	G218759	PP02	PP02R	2
3	41314	42314	G217724	W219278	PP03	PP03R	1
4	41319	42319	R218239	H222486	PP04	PP04R	1

Type 1-PP - Fuse Bases for NH-1 Fuse-links - Power acceptance: 32W



F222484

1	41402	42402	E218757	A223008	NH1BPLSC1PT0	PP11R	3
2	41412	42412	F222484	G200796	PP12	PP12R	2
3	41414	42414	Y223006	Y201340	PP13	PP13R	1
4	41419	42419	X201339	H201855	PP14	PP14R	1

Type 2-PP - Fuse Bases for NH-2 Fuse-links - Power acceptance: 45W



B212107

1	41502	42502	F201853	E211075	PP21	PP21R	3
2	41512	42512	S211593	V211595	PP22	PP22R	2
3	41514	42514	B212107	D212109	PP23	PP23R	1
4	41519	42519	C213143	R212627	PP24	PP24R	1

Type 3-PP - Fuse Bases for NH-3 Fuse-links - Power acceptance: 60W

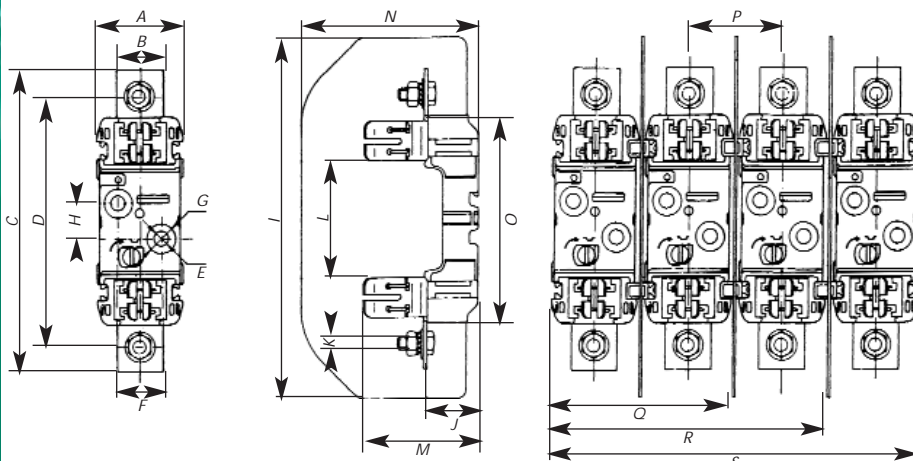


B212107

1	41602	42602	W213643	X213644	NH3BPLSC1PT0	PP31R	3
2	41612	42612	D214662	B214154	PP32	PP32R	2
3	41614	42614	H215172	F214664	PP33	PP33R	1
4	41619	42619	L215681	K215174	PP34	PP34R	1

For NH-4 Fuse Bases, see "5\$" section

Dimensions of Polyester Fuse - Bases for NH Fuse-Links



	O-EP	O-PP	1-PP	2-PP	3-PP
A	46	46	60	60	60
B	20	25	32	35	40
C	168	168	209	225	241
D	150.5	150.5	176	201	210
E	7.5	7.5	10.5	10.5	10.5
F	-	-	30	30	30
G	14.5	14.5	20.5	20.5	20.5
H	25	25	25	25	25
I	185	185	250	250	270
J	29	29	35	35	35
K	M8	M8	M10	M10	M12
L	74	75	81	81	81
M	59	61	71	89	103
N	95	95	122.5	122.5	142.5
O	122	122	146	146	146
P	48.5	48.5	65.5	65.5	81.5
Q	94	94	125.5	125.5	141.5
R	142	142	191	191	223
S	190	190	256.5	256.5	304.5



IEC General Purpose Fuses NH Fuses Plastic Bases

Sizes 00 to 3

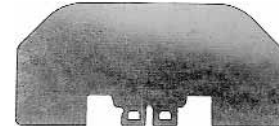
Insulating Barriers for Polyester NH Fuse Bases

Size	Previous Ref.	Reference Number	Catalog Number	Pack
00	44502	W212654	NH00WALL	2
0	44504	Z213669	NH0WALL	2
1-2	44510	J214690	NH1NH2WALL	2
3	44512	Q215708	NH3WALL	2
00* 3 poles	84392	B233865		2

* ref number V229121 and W229122 only



W212654



J214690

Separators

0	44604	V216724	NH0CONN	2
1-2	44610	N217753	NH1NH2CONN	2
3	44612	M218787	NH3CONN	2



N217753

Fuse Shields

00	44802	G213170	NH00LUGCV	3
00*		B233566		3
0	44804	F214181		3
0*		D233568		3
1-2	44810	K214691	NH1NH2LUGCV	3
1-2*		E233569		3
3	44812	R215709	NH3LUGCV	3
3*		F233570		3

* for use of microswitch



G213170

Terminal Shields

00	44702	M222513	NH00TERMCV	6
0	44704	K200822	NH0TERMCV	6
1	44708	L201881	NH1TERMCV	6
2	44710	Y211621	NH2TERMCV	6
3	44712	X212655	NH3TERMCV	6



M222513

Complete references for IP2X Fuse Bases (no microswitch possible) Fixation on rail

Size	Pole	Ref. Num.	Cat. Num	Pack
00	1	S218240		3
	3	S229119		1
0	1	G226717	EPO1RIP20	3
	3	J226719	EPO3RIP20	1
1	1	P226724	PP11RIP20	3
	3	Q226725	PP13RIP20	1

Size	Pole	Ref. Num.	Cat. Num	Pack
2	1	R226726	PP21FSR	3
	3	S226727	PP23FSR	1
3	1	T226728	PP31RIP20	3
	3	V226729	PP33RIP20	1

Fixation by screw

Size	Pole	Ref. Num.	Cat. Num	Pack
00	1	M216694		3
	3	T229120		1
0	1	X226708		3
	3	Z226710		1
1	1	V219806	PP1IP20	3
	3	B226712		1

Size	Pole	Ref. Num.	Cat. Num	Pack
2	1	C226713	PP24FS	3
	3	D226714		1
3	1	E226715		3
	3	F226716		1



Gears & Fuse Gears

IEC General Purpose Fuses NH Fuses Plastic Bases



Sizes 00 to 3

One Cable - Terminal for NH Bases

Base Size	Cable Size(mm)		Previous Reference	Ref. Number	Catalog Number	Standard Pack
	Max.	Min.				
00	50	6	45421	Q217755		60
00-0	95	10	45423	A218270		50
1	150	16	45425	N218788		30
2-3	240	50	45427	A219305		15



N218788

Two Cables - Terminal for NH Bases

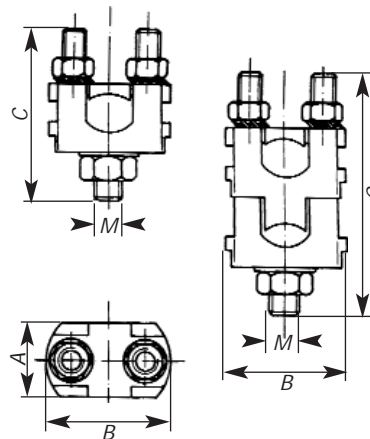
Base Size	Cable1 Size(mm)		Cable2 Size(mm)		Previous Reference	Ref. Number	Catalog Number	Stand. Pack
	Max.	Min.	Max.	Min.				
00	50	6	50	6	45431	B219835		60
00-0	95	10	95	10	45433	P222515		30
1	150	25	150	16	45435	F223036		20
2-3	240	95	240	50	45437	B201366		5



F223036

Dimensions of Terminals

Previous Reference	A	B	C	M
45421	18	26	34	6
45423	24	35	52	8
45425	26	41	58	10
45427	36	53	68	12
45431	18	26	39	6
45433	24	35	82	8
45435	26	41	84	10
45437	36	53	98	12



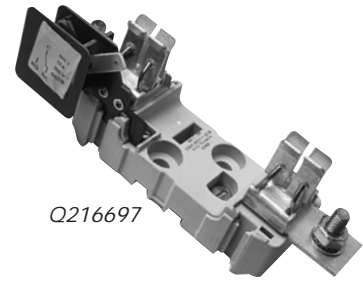
Gears & Fuse Gears



IEC General Purpose Fuses NH Fuses Plastic Bases



Sizes 00 to 3

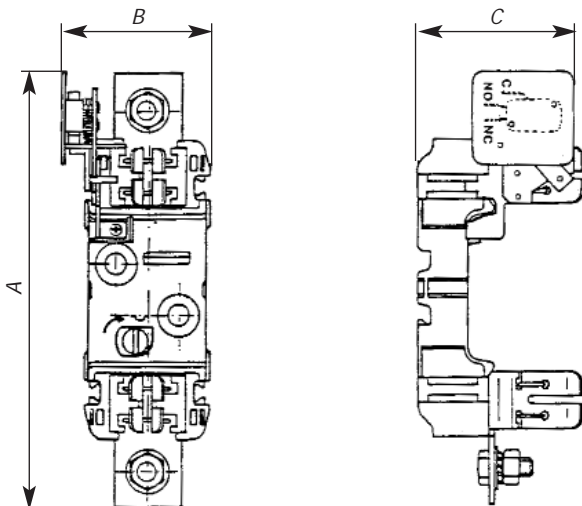


Fuse bases 690V for HRC fuse-links NH with striker

- For fuse-links with striker
- Rail or screw fixing



Size	In (A)	Prev. Ref.	Cat. Number	Ref. Number	Packing
0	160	42906		T216194	1
1	250	42908		Q216697	1
2	400	42910		D217215	1
3	630	42912		H218760	1

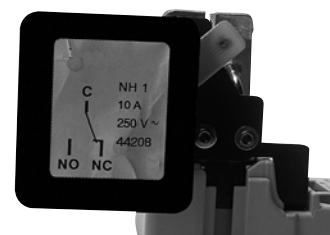


	NH-0	NH-1	NH-2	NH-3
A	192	213	222	233
B	64	93	73	80
C	66	77	82	83

Microswitch (sold separately)

- Microswitch for NH fuse bases in polyester material (screw or rail fixing).
- Microswitch operates when:
 - fuse melts
 - no fuse-link
- Operating voltage: 250 V~
- Rated current: 10 A.
- Terminal size: 6.3 x 0.8 mm.

If you are interested in ordering microswitch and NH fuse base separately: T218241 + X219279 same size as T216194 (size 0)

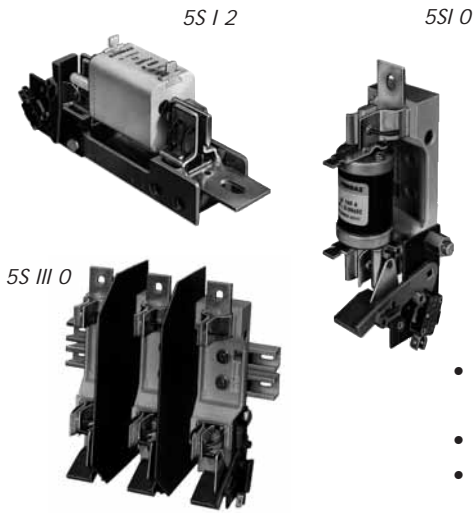


Size	In (A)	Prev. Ref.	Cat. Number	Ref. Number	Packing
0	160	44206		X219279	1
1	250	44208		Y219809	1
2	400	44210		J222487	1
3	630	44212		B223009	1



Gears & Fuse Gears

IEC General Purpose Fuses NH Fuses Plastic Bases



5S - 00 to 4

- SHOCK-PROOF ASSEMBLY FOR HIGH THERMAL AND MECHANICAL WITHSTAND
- MOUNTING ON BASE WITH OR WITHOUT MICROSWITCH
- SELF-EXTINGUISHABLE FIBERGLASS POLYESTER BASE, SILVER-PLATED COPPER CLIPS WITH STAINLESS STEEL SPRINGS
- COMPLIANT WITH IEC 60269.2.1 AND DIN 43620 STANDARDS

Main Characteristics

Type and size	Voltage rating UN (V)	Impulse withstand voltage Uimp (kV)	Fuse current rating I _N (A)	Maximum fuse operating current (A)					Recommended copper wire size (mm ²)	Fire and fumes class NF F 16 - 101 and 102 and UL			
				gG	aM	URGB	690V gRB	690V URB					
5S I 0 5S II 0 5S III 0 5S IV 0	690		125	160	160				50	L 94 VO			
			160						70				
			200						95				
			250						120				
			315						185				
350			240										
400				360									
5S I 1 5S II 1 5S III 1 5S IV 1			280	315	315						150	I3-F3	
			315								185		
			350								185		
			400								240		
			450								450		2x30x5
			500								475		2x30x5
			550								495		2x40x5
630			570	2x40x5									
5S I 2 5S II 2 5S III 2 5S IV 2	450	500	500					2x30x5	UL 94 VO				
	500							2x40x5					
	550							550		2x40x5			
	630							600		2x40x5			
	700							665		2x50x5			
	800							720		2x50x5			
900	810	2x60x5											
5S I 3 5S II 3 5S III 3 5S IV 3	500	630	630					2x30x5	I2-F1				
	550							2x40x5					
	630							2x40x5					
	700							2x50x5					
	800							800		2x50x5			
	900							855		2x60x5			
	1000							950		2x60x5			
5S I 4	1100	1250	1250	1250				990					
	1250							1070	2x80x5				
	1250							1070	2x80x5				

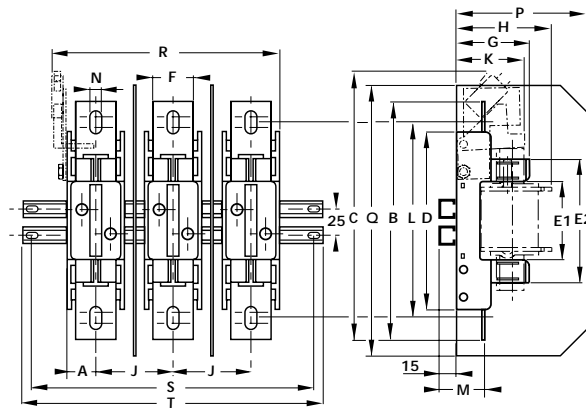
Gears & Fuse Gears



IEC General Purpose Fuses NH Fuses Plastic Bases

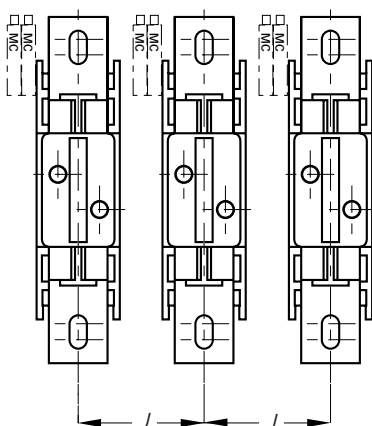
5S - 00 to 4

Multipolar Fuse Holders for Blade-style Fuses Sizes 0 - 1 - 2 - 3 With microswitch



Size	A	B	C	D	E ₁	E ₂	F	G	H	J	K	L	M	N	P	Q	R			S			T		
																	II	III	IV	II	III	IV	II	III	IV
0	23.5	177	206	133	77	121	25	77	87.5	61.5	85	150	40.5	8.5	90	190	121.5	183	244.5	137	202	252	158	223	273
1	29.5	207	220	181	81.5	135.5	32	81.5	104.5	73.5	85	175	52	11	110	220	145.5	219	292.5	165	242	308	186	263	329
2	29.5	244	256	181	83	134	40	78	108	77.5	80	200	42	11	120	270	149.5	227	304.5	165	242	326	186	263	347
3	29.5	244	256	181	83	134	40	83	117	85	80	210	46.5	11	120	270	157	242	327	179	264	342	200	285	363

Multipolar configurations with one-pole Fuse Holder assembly With microswitch - Without partition



Size	J (mm)
00	-
0	61.5
1	73.5
2	73.5
3	85
4	120



Gears & Fuse Gears

IEC General Purpose Fuses NH Fuses Plastic Bases

5S - 00 to 4

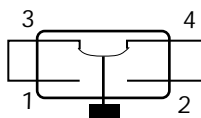
Accessories



Accessory type	Size	Cat. Num.	Ref. Num.	Weight (g)	Packaging
simple microswitch	0	MC 2-5 T0-1	Q 091462	64	1
	1	MC 2-5 T0-1	Q 091462	64	1
	2	MC 2-5 T2-3	R 091463	64	1
	3	MC 2-5 T2-3	R 091463	64	1
twin microswitch	0	MC 2-9 T0-1	S 091464	70	1
	1	MC 2-9 T0-1	S 091464	70	1
	2	MC 2-9 T2-3	T 091465	73	1
	3	MC 2-9 T2-3	T 091465	73	1
isolating partition	0	CI 0	M 091344	37	2
	1	CI 1	N 091345	110	2
	2	CI 2+Ent.	P 091346	83	2
	3	CI 3+Ent.	Q 091347	83	2
pull-out handle	0				
	1	PMP	E 097708	160	1
	2				
	3				

Microswitches

- Microswitches are designed to fit one-pole fuse-holders from size 0 to 4 enabling:
 - blown-fuse indication
 - Fuse presence indication
- Remote-sensing microswitches are single- or twin-reversing models with electrical features 220 V - 10 A - $\cos \varphi = 0.3$.
- For size 0 to 3 fuse holders, microswitches delivered separately and side-mounted by means of an insert and special screw.
- For size 4 fuse holders, microswitches factory assembled.
- For multipolar fuse holders, a single microswitch is mounted for entire assembly.



With hand-reset style microswitch
#1 and 3 terminals must always be connected

Mounting of screw and insert



Isolating Partitions

- Isolating partitions fit fuse holders sizes 0 - 1 - 2 - 3. No partition is available for size 4.
- Fitting of partitions:
 - by direct snap-mounting for sizes 0 and 1 fuse holders
 - by means of spacers for sizes 2 and 3
- For multipolar assemblies, isolating partitions are mounted between each pole.



Pull-out Handle

For removing fuses, a pull-out handle snaps on the fuse lugs designed for this operation.



Gears & Fuse Gears



IEC General Purpose Fuses NH Fuses Plastic Bases

5S - 00 to 4

Fuse holders with indication

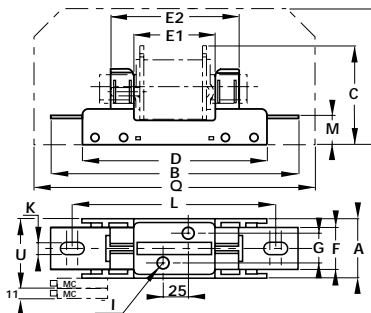
Size and number of poles	Designation	Reference Number	Catalog Number	Weight (g)	Packaging
00 1					3
0 2	5S II 0 MCN	H 091363	5S02MCN	720	1
	5S III 0 MCN	N 091368	5S03MCN	975	1
	5S IV 0 MCN	T 091373	5S04MCN	1230	1
1 2	5S II 1 MCN	J 091364	5SII1MCN	1370	1
	5S III 1 MCN	P 091369	5SIII1MCN	2000	1
	5S IV 1 MCN	V 091374	5SIV1MCN	2630	1
2 2	5S II 2 MCN	K 091365	5SII2MCN	2170	1
	5S III 2 MCN	Q 091370	5SIII2MCN	2900	1
	5S IV 2 MCN	W 091375	5SIV2MCN	3630	1
3 2	5S II 3 MCN	L 091366		3030	1
	5S III 3 MCN	R 091371		4170	1
	5S IV 3 MCN	X 091376		5310	1
4 1	5S I 4+MC 2-5 T 4	G 091362	5SI4+MC2-5T4	2590	3

* Models supplied in kit form: fuse holder + microswitch

Fuse holders without indication

Size and number of poles	Designation	Reference Number	Catalog Number	Weight (g)	Packaging
4 1	5S I 4	L091343		2500	1

One-pole Fuse Holders for Blade-style fuses Sizes 00 - 0 - 1 - 2 - 3



Elastic clamping

Size	A	B	C	D	E ₁	E ₂	F	G	Ø1	J ₁	J ₂	J ₃	K	L	M	P	Q	U
00	38	128	82	85	58	-	20	0	7.5	40	-	-	9	105	25.5	-	-	-
0	48	177	87.5	133	77	121	25	0	7	50	48	61.5	8.5	150	25.5	95	190	64
1	58.5	207	105	135	81.5	135.5	32	30	9	62	60	73.5	11	175	37	110	220	76
2	58.5	244	108	181	83	134	40	30	9	70	68	73.5	11	200	27	120	270	76
3	58.5	244	117	181	83	134	40	30	9	85	63	85	11	210	31.5	120	270	76

One-pole Fuse Holders for Blade-style fuses Sizes 4

Forced clamping

