



BTL5-abcd-Mnnnn-fg-lm

BTL5

Magnetostrictive linear position sensor Generation 5

a interface

T = Profibus

b Operating voltage

1 = 20 ... 28 V

c + d Interface characteristic 1 + 2

10 = 1 magnet (1 - 4 magnets can be set)

Mnnnn Nominal length (4-position)

M0500 = metric in mm
(M0050...M4000)

f Style

A = Mounting threads M18x1.5, for flat seal
B = Mounting threads M18x1.5, for O-Ring

g Form factor characteristic

8 = Rod diameter 8 mm
- = Rod diameter 10.2 mm

l Connection type

S = Connector

m Connection type characteristic

103 = 1 x M8x1 connector with 3 pins + 1 x M12x1
connector with 5 pins + 1 x M12x1 female with 5 pins

Magnetostrictive Sensors

BTL5 -A/B- Series - Profibus

BALLUFF

Basic features

Approval/Conformity	CE cULus EAC WEEE
Magnets, number max.	4
	minimum separation between magnets 65 mm.

Electrical connection

Polarity reversal protected	Ub up to 28 V
-----------------------------	---------------

Electrical data

Current consumption max. at 24 V DC	130 mA
Inrush current	≤ 3 A/0.5 ms
Operating voltage Ub	20...28 VDC
Output signal adjustable	with software tool
Overvoltage protection	Ub up to 28 V
Voltage-proof up to (GND to housing)	500 V DC

Environmental conditions

Ambient temperature	-40...85 °C
EN 55016-2-3, Radiation	Industrial areas
EN 60068-2-27, Continuous shock	100 g, 2 ms
EN 60068-2-27, Shock	100 g, 6 ms
EN 60068-2-6, Vibration	12 g, 10...2000 Hz
EN 61000-4-2, ESD	Severity Level 3
EN 61000-4-3, RFI	Severity Level 3
EN 61000-4-4, Burst	Severity Level 3
EN 61000-4-5, Surge	Severity Level 2
EN 61000-4-6, High-frequency fields	Severity Level 3
EN 61000-4-8 Magnetic fields	Severity Level 4
IP rating	IP67 with connector
Relative humidity	≤ 90 %, non-condensing
Storage temperature	-40...100 °C
Temperature coefficient typ.	≤ 35 ppm/K at 50% of nominal stroke 500mm

Functional safety

MTTF (40 °C)	59 a
--------------	------

Interface

Interface	Profibus
-----------	----------

Material

Cover material	Aluminum, Anodized
Housing material	Aluminum, Anodized
Housing material, surface protection	Anodized
Material flange	Stainless steel (1.3952)
Protection tube material	1.4571 stainless steel

Mechanical data

Installation length from contact surface	nnnn + 90 mm
Pressure rating max.	g ≠ 8: 600 bar g = 8: 250 bar
Pressure rating, note	when installed in hydraulic cylinder
Tightening torque max.	100 Nm

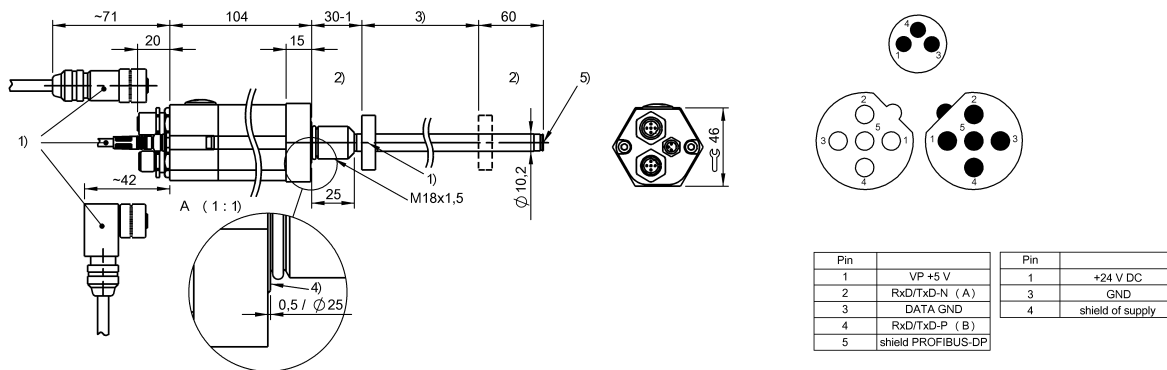
Range/Distance

Linearity deviation	±30 μm
Measuring length	25...4000 mm
Sampling frequency max.	1 kHz, standard

Magnetostrictive Sensors
BTL5 -A/B- Series - Profibus



BTL5-Txxx-Mxxxx-B-S103



Pin		Pin	
1	VP +5 V	1	+24 V DC
2	RxD/TxD-N (A)	3	GND
3	DATA GND	4	shield of supply
4	RxD/TxD-P (B)		
5	shield PROFIBUS-DP		

- 1) not included in scope of delivery
- 2) Non-usable area
- 3) Nominal length = Measuring length
- 4) Mounting surface
- 5) Internal threads M4x4/6 deep