

# P.C.B. terminal blocks

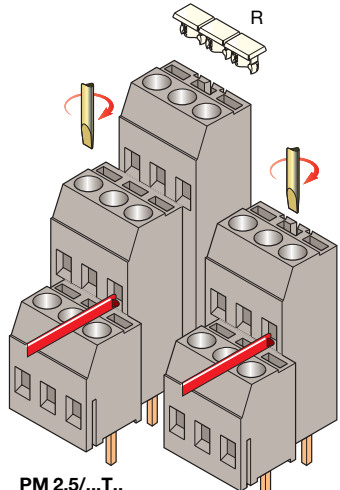
## Screw-clamp connection

**Spacing 5,08 mm and 5 mm**

**Body: UL94 V0**

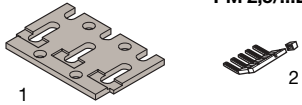


2 and 3 deck single blocks.  
Without loss of spacing.  
The 2nd deck is half the spacing off-set to left.



PM 2,5/...T..

PM 2,5/...D..



Other numbers of poles, consult us.  
End plate (1) is optional.

### Characteristics

	Wire size		
	IEC	UL	CSA
Solid*	0,2 - 4 mm <sup>2</sup>	24 - 16 AWG	24 - 16 AWG
Stranded*	0,22 - 2,5 mm <sup>2</sup>	24 - 16 AWG	24 - 16 AWG
Voltage			
V	250	300	300
Current			
A	24	10	10
Rated wire size			
	2,5 mm <sup>2</sup>	16 AWG	16 AWG
Other characteristics			
Wirestripping length	Recomm. screwdriver	Recomm. torque	Protection
7,5 mm .295"	3,5 mm .137"	0,4-0,6 Nm 3,5 - 5,3 lb.in	IP 20 NEMA 1

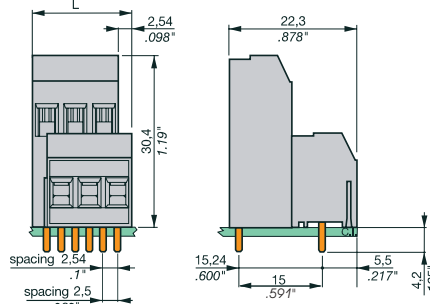
### Approvals

### Accessories

1	End plate	2 poles 3 poles
2	Comb type jumper bar	30 A 2 poles 30 A 10 poles
	Insulating comb tip	
R	See section on marking	Marking method

## PM 2,5 /D... 1 pin per pole - 2 decks

Pin 1 x 1 x 4,2 mm  
.039" x .039" x .165"

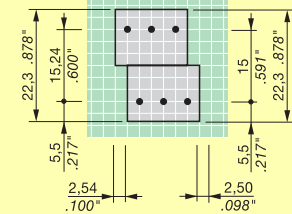


Thickness P.C.B. 3,2 mm .126" max.  
P.C.B. holes Ø 1,3 mm + 0,1 .052" dia.  
Terminal block for connection parallel to P.C.B.

Number of poles	Type	Part number	L mm
<b>Spacing 5,08 mm .200" grey body (black body consult us)</b>			
4	PM 2,5 /D-41	L 705 604 01 000	12,70
6	PM 2,5 /D-61	L 705 606 01 000	17,78
8	PM 2,5 /D-81	L 705 608 01 000	22,86
10	PM 2,5 /D-101	L 705 610 01 000	27,94
12	PM 2,5 /D-121	L 705 612 01 000	33,02
14	PM 2,5 /D-141	L 705 614 01 000	38,10
16	PM 2,5 /D-161	L 705 616 01 000	43,18
18	PM 2,5 /D-181	L 705 618 01 000	48,26
20	PM 2,5 /D-201	L 705 620 01 000	53,34
22	PM 2,5 /D-221	L 705 622 01 000	58,42
24	PM 2,5 /D-241	L 705 624 01 000	63,50

### P.C.B. drilling

Spacing 5,08 mm      Spacing 5 mm



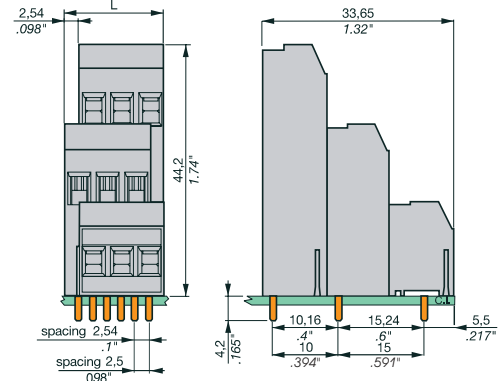
P.C.B. with 2,54 mm .10" or 2,5 mm .098" spacing  
Holes Ø 1,3 mm .052"

### Spacing 5 mm .197" grey body

4	PM 2,5 /5D-41	0096 254.22	12,5
6	PM 2,5 /5D-61	0096 256.24	17,5
8	PM 2,5 /5D-81	0096 258.06	25
10	PM 2,5 /5D-101	0096 260.04	30
12	PM 2,5 /5D-121	0096 262.22	35
14	PM 2,5 /5D-141	0096 264.24	42,5
16	PM 2,5 /5D-161	0096 266.26	47,5
18	PM 2,5 /5D-181	0096 268.00	52,5
20	PM 2,5 /5D-201	0096 270.06	60
22	PM 2,5 /5D-221	0096 272.24	65
24	PM 2,5 /5D-241	0096 274.26	70

## PM 2,5 /T... 1 pin per pole - 3 decks

Pin 1 x 1 x 4,2 mm

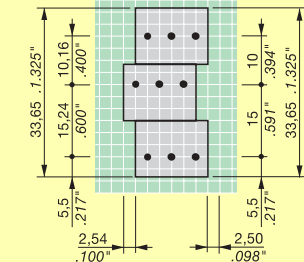


Thickness P.C.B. 3,2 mm .126" max.  
P.C.B. holes Ø 1,3 mm + 0,1 .052" dia.  
Terminal blocks for connection parallel to P.C.B.

Number of poles	Type	Part number	L mm
<b>Spacing 5,08 mm .200" grey body (black body consult us)</b>			
6	PM 2,5 /T-61	L 705 706 01 000	12,70
9	PM 2,5 /T-91	L 705 709 01 000	17,78
12	PM 2,5 /T-121	L 705 712 01 000	22,86
15	PM 2,5 /T-151	L 705 715 01 000	27,94
18	PM 2,5 /T-181	L 705 718 01 000	33,02
21	PM 2,5 /T-211	L 705 721 01 000	38,10
24	PM 2,5 /T-241	L 705 724 01 000	43,18

### P.C.B. drilling

Spacing 5,08 mm      Spacing 5 mm



P.C.B. with 2,54 mm .10" or 2,5 mm .098" spacing  
Holes Ø 1,3 mm .052"

### Spacing 5 mm .197" grey body

6	PM 2,5 /5T-61	0096 276.20	12,5
9	PM 2,5 /5T-91	0096 279.03	17,5
12	PM 2,5 /5T-121	0096 282.17	25
15	PM 2,5 /5T-151	0096 285.12	30
18	PM 2,5 /5T-181	0096 288.25	35
21	PM 2,5 /5T-211	0096 291.10	42,5
24	PM 2,5 /5T-241	0096 294.13	47,5

Type	Part number	P/N black	P/N grey
PF2PM-V		0299 367.13	
PF3PM-V		0299 368.24	
PC5	0113 542.10		
PC5	0113 544.12		
EIP	0113 550.24		

Type	Part number	P/N black	P/N grey
PF2PM-V		0299 367.13	
PF3PM-V		0299 368.24	
PC5	0113 542.10		
PC5	0113 544.12		
EIP	0113 550.24		

⑲ RB5A      ⑳

⑲ RB5A      ⑳