

**numatics™**

# Pneumatic valve islands



# 580 *Electronics*

01835GB-2017/R02  
Availability, design and specifications are subject to change without notice. All rights reserved.



## 580 Electronics

Features and Benefits	124
CANopen®	125
DeviceNet™	127
Ethernet/IP™	129
Profibus-DP®	131
PROFINET®	133
EtherCAT®	135
EtherNet/IP™ DLR	137
IO-Link® Class A & B	139
EMERSON CHARM	141
Dimensional Drawing - 580 Fieldbus Communication Assembly	143..145
How to Order - 580 Assembly Kit & 580 Electronics	146..148
How to Order Complete 580 Manifold Assemblies	149..152
Accessories	153 - 154

**580 Fieldbus - Electronics Made Easy!**

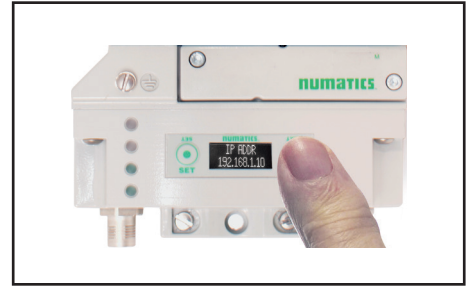
**Innovative Graphic Display is used for easy commissioning, visual status & diagnostics**

**Commissioning Capabilities**

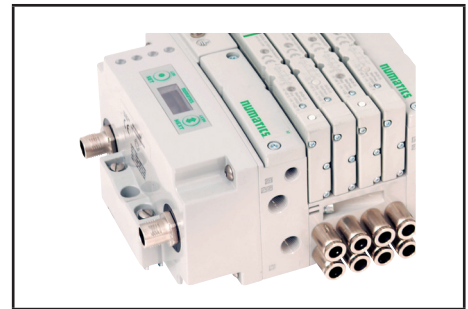
- Set network address (including IP & Subnet mask for Ethernet)
- Set baud rate
- Set brightness
- Set factory defaults

**Visual Diagnostics**

- Shorted and open load detection
- Shorted sensor/cable detection
- Low & missing power detection
- Self-tests activation
- Log of network errors



*Graphic Display for configuration & diagnostics*



*Compact Electronic Module*

**580 Fieldbus Communications Electronics**

Why use Numatics Fieldbus communication electronics?

**Modular Reality...**

- No internal wiring simplifies assembly
- Power connector allows output power to be removed while inputs and communication are left active
- IP65 protection
- 128 coils for 501 - 80 coils for 502/503
- Valve manifold emulates up to 3 CHARM baseplates
- Redundant Power and Communication to manifold
- Uses native CHARM, DeltaV and AMS diagnostics

**Supported Protocols**

- CANopen®
- DeviceNet™
- EtherNet/IP™
- PROFIBUS-DP® (1)
- PROFINET® (1)
- EtherCAT® (1)
- EtherNet/IP™ DLR (1)
- CHARM (Max. 48 coils)
- POWERLINK
- IO-Link®\*

\* IO-Link® is a communication network that requires an IO-Link® Master with a higher level fieldbus or Ethernet communication protocol.

(1) 32+ capable



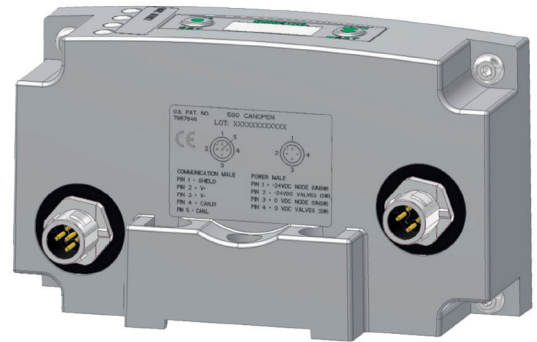
DeviceNet™ is a trademark of ODVA.  
ControlNet is a trademark of ControlNet International, Ltd.  
PROFIBUS, PROFINET, and IO-Link are registered trademarks of Profibus Nutzerorganisation e.V.  
EtherCAT is a registered trademark of Beckhoff Automation GmbH.

## CANopen®

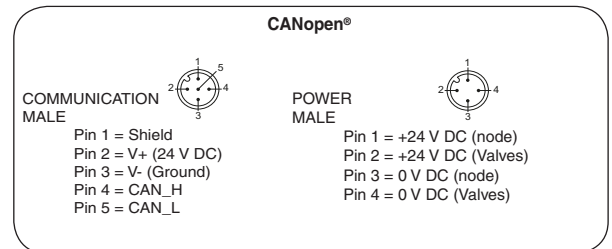
CANopen® is an open protocol based on Controller Area Network (CAN). It was designed for motion oriented machine control networks but has migrated to various industrial applications. CAN in Automation (CIA) is the international users' and manufacturers' organization that develops and supports CAN-based protocols.

Numatics' 580 nodes for CANopen® have an integrated graphic display.

More information regarding this organization can be found at: [www.can-cia.org](http://www.can-cia.org)



Description	Replacement Part Number
CANopen® communications module (node)	P580AECO1010A00



## Technical Data

Electrical Data	Voltage	Current
Node Power at Max. Brightness	24 VDC +/- 10%	0,070 A
BUS Power	11-25 VDC	0,025 A
Valves	24 VDC +/- 10%	8 A Maximum
Power Connector	Single key 4 pin M12 (male)	
Communication Connector	Single key 5 pin M12 (male)	
LED's	Module Status and Network Status	

Operating Data	
Temperature Range (ambient)	-10°C to +50°C
Humidity	95% relative humidity, non-condensing
Vibration / Shock	IEC 60068-2-27, IEC60068-2-6
Moisture Protection	IP65

Configuration Data	
Graphic Display	Display used for setting Node Address, Baud Rate, Fault / Idle Actions, and all other system settings.
Maximum Valve-Solenoid Outputs	32

Network Data	
Supported Baud Rates	125K Baud, 250K Baud, 500K Baud
Supported Connection Type	Polled, Cyclic, Change of State (COS) and combination Message Capability
Bus Connector	Single key 5 pin M12 (male)
Diagnostics	Power, short, open load conditions are monitored

Weight	
CANopen® Communications Module	252 g

01439GB-2017/R02  
Availability, design and specifications are subject to change without notice. All rights reserved.

**CANopen® bus connection**

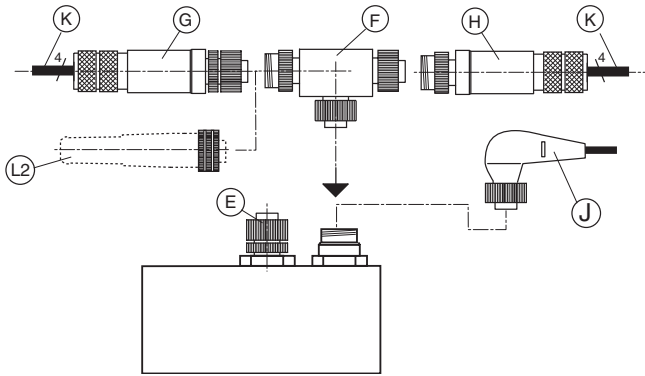
the front panel of the communication module for Canopen® is equipped with a 5 pin male M12-A socket for the bus cable.

The bus can be connected in the two following ways:

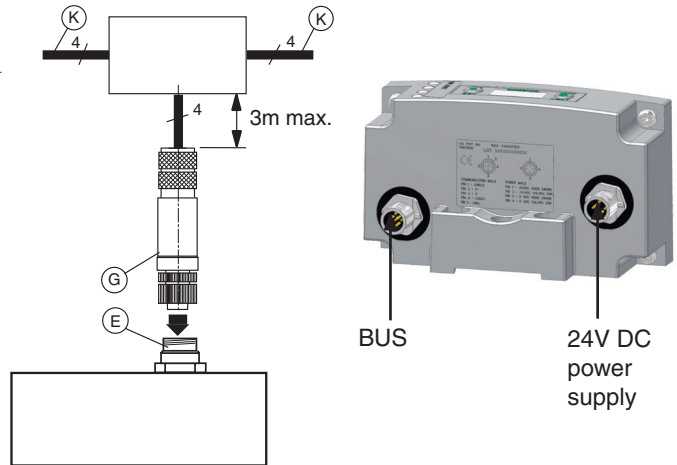
- directly to the module with a T-connector;
- with a straight connector, cable (max. length: 3 m) and a CANopen® distributor box.

The modules on either side of the system must be provided with terminating resistors (L1 or L2).

■ **Wiring with T-connector**



■ **Connection with CANopen® distributor box (X)**



**Accessories for CANopen®**

The modules on either side of the system must be provided with terminating resistors (H)

	Accessory	Description	Order Code
G		M12 90° 5 Pin Female Field Wireable network Connector – Spring Cage (A coded) PG9 cable gland	<b>TD05F2000000071V</b>
		M12 Straight 5 Pin Female Field Wireable network Connector – Spring Cage PG9 cable gland	<b>TC05F2000000071V</b>
H		M12 Straight 5 Pin Male Field Wireable network Connector – Spring Cage PG9 cable gland	<b>TA05F2000000071V</b>
F		3 Way M12 "T" (T-connector M12, 5 male / female / female pins)	<b>TC0500000TT05000</b>
L2		Terminating resistor male plug	<b>TA05TR0000000000</b>
		Terminating resistor female plug	<b>88157770</b>
J		M12 90° 4 Pin Female Field Wireable Connector (PG 9 Cable Gland) (4 pin elbow female cable connector 7/8")	<b>TD04F20000000000</b>
		M12 90° 4 Pin Female Single Ended Cable, Euro Color Code (4 pin elbow female cable connector 90° with 10 m cable)	<b>TD0410MAE0000000</b>

(K) Cable to be ordered separately.

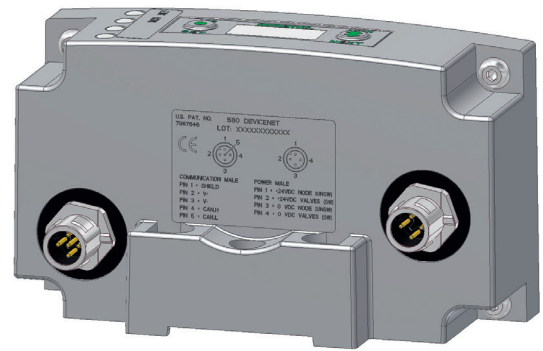
## DeviceNet™

DeviceNet™ is an open bus fieldbus communication system developed by Allen-Bradley based on Controller Area Network (CAN) technology. The governing body for DeviceNet™ is the Open DeviceNet™ Vendors Association (ODVA). The ODVA controls the DeviceNet™ specification and oversees product conformance testing.

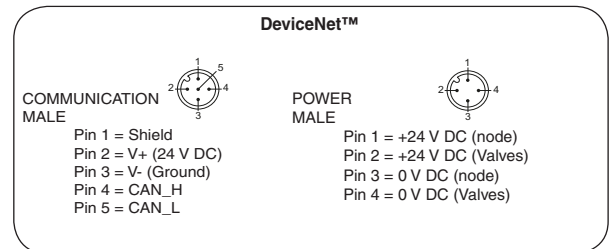
Numatics' 580 nodes for DeviceNet™ have an integrated graphic display.

They have been tested and approved for conformance by the ODVA.

More information about DeviceNet™ and the ODVA can be obtained from the following WEB site: [www.odva.org](http://www.odva.org)



Description	Replacement Part Number
DeviceNet™ communications module (node)	P580AEDN1010A00



## Technical Data

Electrical Data	Voltage	Current
Node Power at Max. Brightness	24 VDC +/- 10%	0,070 A
BUS Power	11-25 VDC	0,025 A
Valves	24 VDC +/- 10%	8 A Maximum
Power Connector	Single key 4 pin M12 (male)	
Communication Connector	Single key 5 pin M12 (male)	
LED's	Module Status and Network Status	

Operating Data	
Temperature Range (ambient)	-10°C to +50°C
Humidity	95% relative humidity, non-condensing
Vibration / Shock	IEC 60068-2-27, IEC60068-2-6
Moisture Protection	IP65

Configuration Data	
Graphic Display	Display used for setting Node Address, Baud Rate, Fault / Idle Actions, and all other system settings.
Maximum Valve-Solenoid Outputs	32

Network Data	
Supported Baud Rates	125K Baud, 250K Baud, 500K Baud, with Auto-Baud detection
Supported Connection Type	Polled, Cyclic, Change of State (COS) and combination Message Capability
Bus Connector	Single key 5 pin M12 (male)
Diagnostics	Power, short, open load conditions are monitored
Special Features	Supports Auto-Device Replacement (ADR) and fail-safe device settings

Weight	
DeviceNet™ Communication Module	252 g

**DeviceNet™ bus connection**

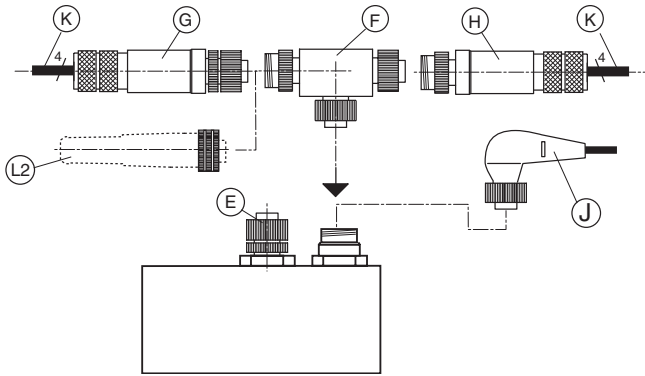
the front panel of the communication module for DeviceNet™ is equipped with a 5 pin M12-A male socket.

The bus can be connected in the two following ways:

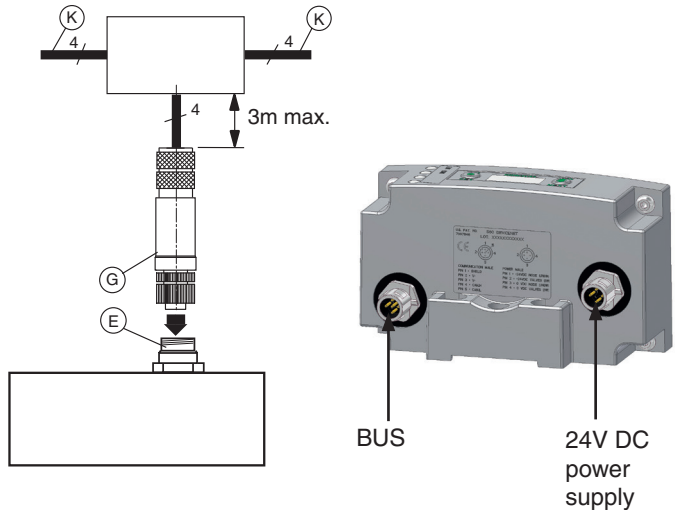
- directly to the module with a T-connector;
- with a straight connector, cable (max. length: 3 m) and a DeviceNet distributor box.

The modules on either side of the system must be provided with terminating resistors (L1 or L2).

■ **Wiring with T-connector**



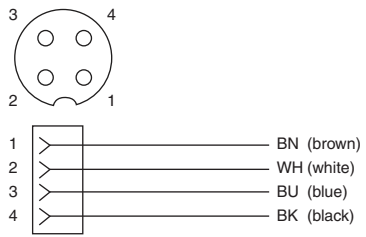
■ **Connection with DeviceNet™ distributor box (X)**



**Accessories for DeviceNet™**

The modules on either side of the system must be provided with terminating resistors (H)

	Accessory	Description	Order Code
G		M12 90° 5 Pin Female Field Wireable network Connector – Spring Cage (A coded) PG9 cable gland	<b>TD05F2000000071V</b>
		M12 Straight 5 Pin Female Field Wireable network Connector – Spring Cage PG9 cable gland	<b>TC05F2000000071V</b>
H		M12 Straight 5 Pin Male Field Wireable network Connector – Spring Cage PG9 cable gland	<b>TA05F2000000071V</b>
F		3 Way M12 "T" (T-connector M12, 5 male / female / female pins)	<b>TC0500000TT05000</b>
L2		Terminating resistor male plug	<b>TA05TR00000000000</b>
		Terminating resistor female plug	<b>88157770</b>
J		M12 90° 4 Pin Female Field Wireable Connector (PG 9 Cable Gland) (4 pin elbow female cable connector 7/8")	<b>TD04F20000000000</b>
		M12 90° 4 Pin Female Single Ended Cable, Euro Color Code (4 pin elbow female cable connector 90° with 10 m cable)	<b>TD0410MAE0000000</b>



(K) Cable to be ordered separately.



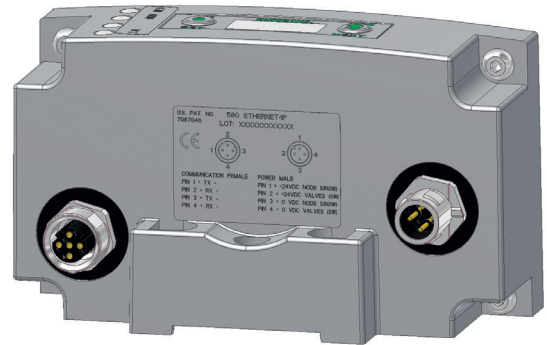
## EtherNet/IP™

EtherNet™ used throughout the world to network millions of PC's has now evolved into a viable industrial network. Ethernet™ is an open architecture high-level communication network that meets the demands of today's industrial applications requiring high-speed (10/100 Mbit/s), high-throughput and flexibility. Additionally, Ethernet™ technology can integrate an on-board Web server, which can make the node readily accessible for configuration, testing and even retrieval of technical documentation.

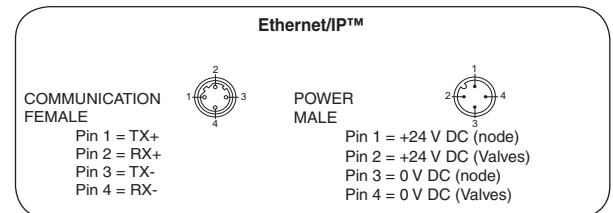
Numatics' 580 nodes for Ethernet™ have an integrated graphic display.

The 580 EtherNet/IP™ nodes have been tested and approved for conformance by the ODVA.

More information about Ethernet/IP™ and the ODVA can be obtained from the following WEB site: [www.odva.org](http://www.odva.org)



Description	Replacement Part Number
Ethernet/IP™ communications module (node)	P580AEEP1010A00



## Technical Data

Electrical Data	Voltage	Current
Node Power at Max. Brightness	24 VDC +/- 10%	0,091 A
Valves	24 VDC +/- 10%	8 A maximum
Power Connector	Single key 4 pin M12 (male)	
Communication Connector	D-coded 5 pin M12 (female)	
LED's	Module Status, Network Status and Activity/Link	

Operating Data	
Temperature Range (ambient)	-10°C to +50°C
Humidity	95% relative humidity, non-condensing
Vibration / Shock	IEC 60068-2-27, IEC60068-2-6
Moisture Protection	IP65





Configuration Data	
Graphic Display	Display used for setting Subnet mask, Fault / Idle Actions, DHCP / BootP and all other system settings.
Maximum Valve-Solenoid Outputs	32

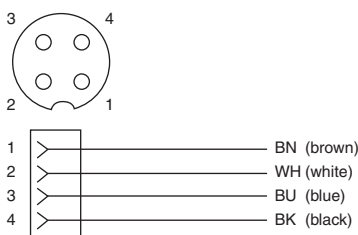
Network Data	
Supported Baud Rates	10 Mbit / 100 Mbit
Bus Connector	D-coded 5 pin M12 (female)
Diagnostics	Power, short, open load conditions and module health are monitored
Special Features	Integrated web server, fail-safe device settings, HTTP, FTP, and UNICAST (for EtherNet/IP)

Weight	
Ethernet Communication Module	336 g

01439GB-2017/R02  
Availability, design and specifications are subject to change without notice. All rights reserved.

Accessories for EtherNet/IP™

Accessory	Description		Order Code
	M12 Straight 4 Pin Male D-Coded to Male RJ45 network Cable - Shielded	5 m	<b>QA0405MK0VA04000</b>
		10 m	<b>QA0410MK0VA04000</b>
	M12 elbow 4 Pin Male D-Coded Field Wireable network Connector PG 9 Cable Gland – Screw Terminal		<b>QB04F2000000071N</b>
	M12 90° 4 Pin Female Field Wireable Connector (PG 9 Cable Gland) (4 pin elbow female cable connector 7/8")		<b>TD04F20000000000</b>
	M12 90° 4 Pin Female Single Ended Cable, Euro Color Code (4 pin elbow female cable connector 90° with 10 m cable)		<b>TD0410MAE0000000</b>



## PROFIBUS-DP®

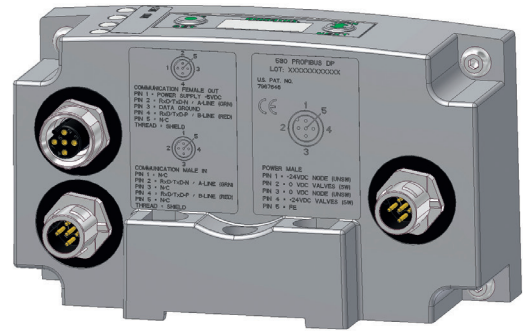
PROFIBUS-DP® is a vendor-independent, open fieldbus protocol designed for communication between automation control systems and distributed I/O at the device level.

Numatics' 580 nodes for PROFIBUS-DP® have an integrated graphic display.

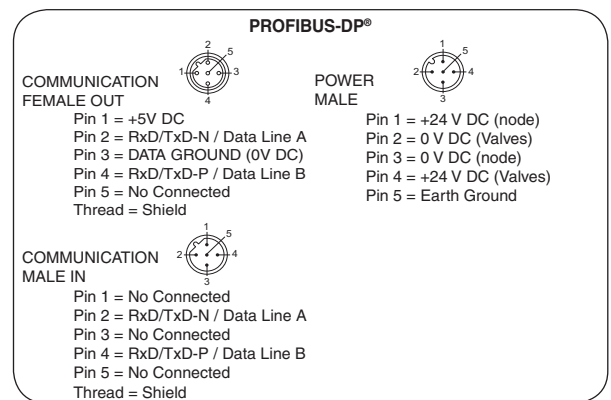
The 580 nodes for PROFIBUS-DP® have been designed and tested to conform to the PROFIBUS® standard EN50170. Certification has been done by the PROFIBUS® Interface Center (PIC) according to the guidelines determined by the PROFIBUS® Trade Organization (PTO). The certification process ensures interoperability for all PROFIBUS® devices.

More information regarding PROFIBUS® can be obtained from the following WEB site:

[www.profibus.com](http://www.profibus.com)



Description	Replacement Part Number
PROFIBUS-DP® communications module DPV0/DPV1	P580AEPT1010A00



## Technical Data

Electrical Data	Voltage	Current
Node Power at Max. Brightness	24 VDC +/- 10%	0,094 A
Valves	24 VDC +/- 10%	4 A Maximum
Power Connector	Single key 5 pin M12 (male)	
Communication Connector	Single reverse key (B-Coded) 5 pin M12 (1 male and 1 female)	
LED's	Module Status and Network Status	

Operating Data	
Temperature Range (ambient)	-10°C to +50°C
Humidity	95% relative humidity, non-condensing
Vibration / Shock	IEC 60068-2-27, IEC60068-2-6
Moisture Protection	IP65

Configuration Data	
Graphic Display	Display used for setting Node Address, Baud Rate, Fault / Idle Actions, Diagnostics and all other system settings.
Maximum Valve-Solenoid Outputs	128 (501), 80 (502-503)

Network Data	
Supported Baud Rates	Auto-Baud
Bus Connector	Single reverse key (B-coded) 5 pin M12 (1 male and 1 female)
Diagnostics	Power, short, open load conditions and module health are monitored
Special Features	Supports Auto-Device Replacement (ADR) and fail-safe device settings

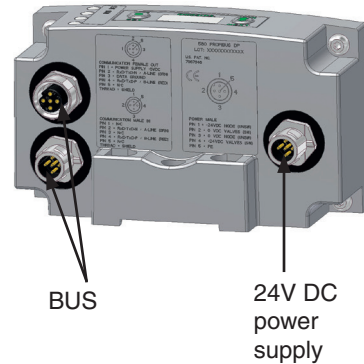
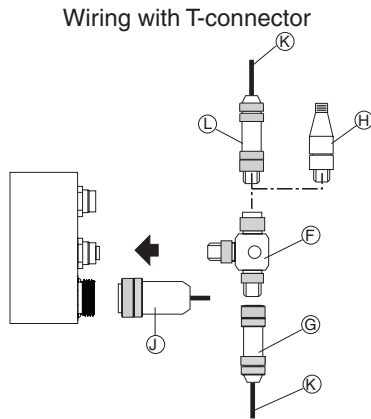
Weight	
PROFIBUS-DP® Communication Module	342 g

**PROFIBUS-DP® bus connection**

The front panel of the communication module for Profibus-DP® is equipped with:

- a 5 pin male M12 socket for power supply
- a 5 pin male M12-B socket or 5 pin female M12-A socket for the bus cable (with a T-connector on integrated M12 COM-IN/COM-OUT connector)

**Fieldbus connection**



**Accessories for PROFIBUS-DP®**

The modules on either side of the system must be provided with terminating resistors (H)

	Accessory	Description	Order Code
F		T-connector M12-B, 5 female / male / male pins (Profibus 12Mb max)	<b>88100712</b>
G		M12-B network connector , 5 female pins - for cable dia. 6 - 8 mm (Profibus 12Mb max)	<b>88100713</b>
		M12 90° 5 Pin Male & Female Field Wireable network Connectors, w/IDC PG9 Cable Gland – IDC FEMALE	<b>RD05F200P000071V</b>
L		M12-B network connector , 5 male pins - for cable dia. 6 - 8 mm (Profibus 12Mb max)	<b>88100714</b>
		M12 90° 5 Pin Male & Female Field Wireable network Connectors, w/IDC PG9 Cable Gland – IDC MALE	<b>RB05F200P000071V</b>
H		Terminating resistor M12-B - male plug	<b>88100716</b>
J		M 12 90° 5 Pin Female Field Wireable Connector (24 V DC supply, PG 9 Cable Gland)	<b>TD05F2000000000</b>
		M12 90° 5 Pin Female Single Ended Cable, Euro Color Code (5 pin elbow female cable connector, 24 V DC supply, with 10 m cable)	 <b>TD0510MAE0000000</b>
		Dust cover - M12 female	<b>88157773</b>

(K) Cable to be ordered separately.

**PROFINET®**

PROFINET® is the innovative open standard for Industrial Ethernet, development by Siemens and the Profibus® User Organization (PNO). PROFINET® complies to IEC 61158 and IEC 61784 standards. PROFINET® products are certified by the PNO user organization, guaranteeing worldwide compatibility.

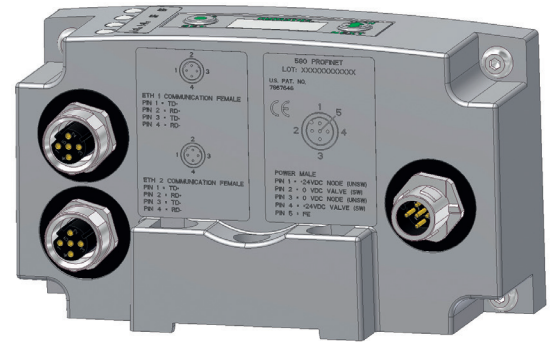
Numatics' 580 nodes for PROFINET IO (PROFINET RT) have an integrated graphic display.

PROFINET® is based on Ethernet and uses TCP/IP and IT standards and complements them with specific protocols and mechanisms to achieve Real Time performance. Additionally, the 580 node PROFINET® can integrate an on-board Web server, which can make the node readily accessible for configuration, testing and even retrieval of technical documentation.

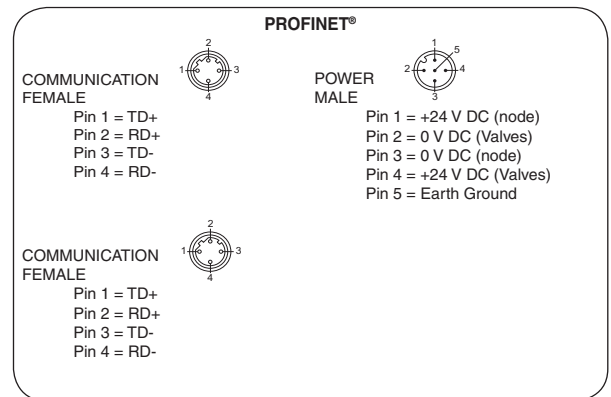
More information regarding PROFINET® can be obtained from the following WEB site:

[www.profibus.com](http://www.profibus.com)

**Remark: Compatibility with MRP functionalities.**



Description	Replacement Part Number
PROFINET® communications module (node)	P580AEPN1010A00



**Technical Data**

Electrical Data	Voltage	Current
Node Power at Max. Brightness	24 VDC +/- 10%	
Valves	24 VDC +/- 10%	4 A Maximum
Power Connector	Single key 5 pin M12 (male)	
Communication Connector	Two D-coded 4 pin M12 (female)	
LED's	Module Status, Network Status and Activity/Link	

Operating Data	
Temperature Range (ambient)	-10°C to +50°C
Humidity	95% relative humidity, non-condensing
Vibration / Shock	IEC 60068-2-27, IEC60068-2-6
Moisture Protection	IP65





Configuration Data	
Graphic Display	Display used for setting IP Address, Subnet Mask, Fault / Idle Actions, Diagnostics and all other system settings.
Maximum Valve-Solenoid Outputs	128 (501), 80 (502-503)

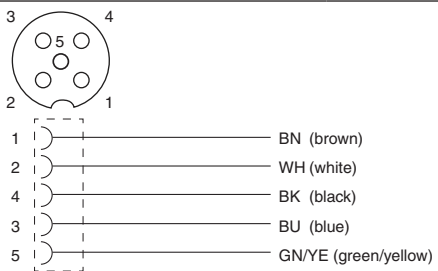
Network Data	
Supported Baud Rates	10 Mbit / 100 Mbit
Bus Connector	Two D-coded 4 pin M12 (2-Female)
Diagnostics	Power, short, open load conditions and module health and configuration are monitored
Special Features	Integrated web server, Integrated 2 port switch, fail-safe device settings

Weight	
PROFINET® Communication Module	342 g

01439GB-2017/R02 Availability, design and specifications are subject to change without notice. All rights reserved.

Accessories for PROFINET®

Accessory	Description		Order Code
	M12 Straight 4 Pin Male D-Coded to Male RJ45 network Cable - Shielded	5 m	<b>QA0405MK0VA04000</b>
		10 m	<b>QA0410MK0VA04000</b>
	M12 elbow 4 Pin Male D-Coded Field Wireable network Connector PG 9 Cable Gland – Screw Terminal		<b>QB04F200000071N</b>
	M 12 90° 5 Pin Female Field Wireable Connector (24 V DC supply, PG 9 Cable Gland)		<b>TD05F20000000000</b>
	M12 90° 5 Pin Female Single Ended Cable, Euro Color Code (5 pin elbow female cable connector, 24 V DC supply, with 10 m cable)		<b>TD0510MAE0000000</b>



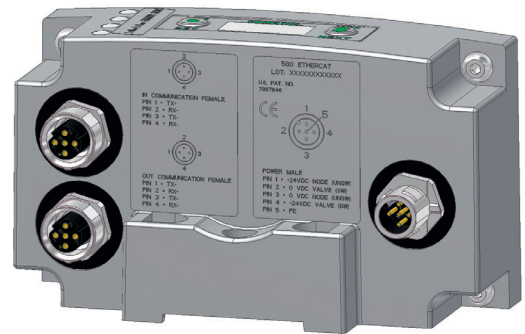
**EtherCAT®**

EtherCAT® is an open ethernet based fieldbus protocol developed by Beckhoff. EtherCAT® sets new standards for real-time performance and topology flexibility with short data update/cycle times and low communication jitter.

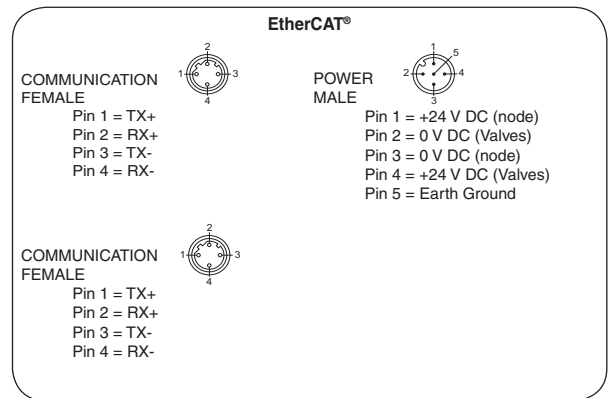
Numatics' 580 EtherCAT® node has an integrated graphic display for simplified commissioning and diagnostics.

The 580 nodes for EtherCAT® have been designed and tested to conform with EtherCAT® specifications set forth by the ETG.

More information regarding EtherCAT® can be obtained from the following web site:  
www.ethercat.org



Description	Replacement Part Number
EtherCAT® communications module	P580AEEC1010A00



**Technical Data**

Electrical Data	Voltage	Current
Node Power at Max. Brightness Valves	24 VDC +/- 10%	4 A Maximum
Power Connector	Single key 5 pin M12 (male)	
Communication Connector	Two D-coded 4 pin M12 (female)	
LED's	Module Status, Network Status and Activity /Link	

Operating Data	
Temperature Range	-10°C to +50°C
Humidity	95% relative humidity, non-condensing
Vibration / Shock	IEC 60068-2-27, IEC 60068-2-6
Moisture	IP65





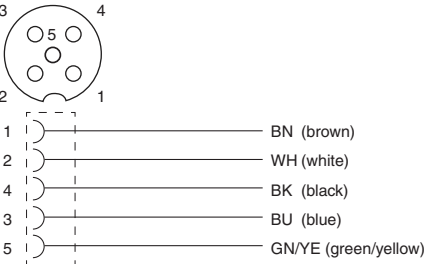
Configuration Data	
Graphic Display	Display used for Subnet Mask, Fault / Idle Actions, and all other system settings.
Maximum Valve Solenoid Outputs	128 (501), 80 (502-503)

Network Data	
Supported Baud Rates	10 Mbit / 100 Mbit
Bus Connector	Two D-coded 4 pin M12 (female)
Diagnostics	Power, short, open load conditions and module health and configuration are monitored
Special Features	Integrated web server, fail-safe device settings.

Weight	
EtherCAT® communications module	227 g

01439GB-2017/R02 Availability, design and specifications are subject to change without notice. All rights reserved.

Accessories for EtherCAT®

Accessory	Description		Order Code
	M12 Straight 4 Pin Male D-Coded to Male RJ45 network Cable - Shielded	5 m	QA0405MK0VA04000
		10 m	QA0410MK0VA04000
	M12 elbow 4 Pin Male D-Coded Field Wireable network Connector PG 9 Cable Gland – Screw Terminal		QB04F200000071N
	M 12 90° 5 Pin Female Field Wireable Connector (24 V DC supply, PG 9 Cable Gland)		TD05F2000000000
	M12 90° 5 Pin Female Single Ended Cable, Euro Color Code (5 pin elbow female cable connector, 24 V DC supply, with 10 m cable)		TD0510MAE0000000 



**EtherNet/IP™ DLR**

EtherNet/IP™ used throughout the world to network millions of PC's has now evolved into a viable industry network. EtherNet/IP™ is an open architecture high-level communication network that meets the demands of today's industrial applications requiring high-speed (10/100 Mbit/s), high-throughput and flexibility. Additionally, EtherNet/IP™ technology can integrate an on-board Web server, which can make the node readily accessible to any standard Web browser for configuration, testing and even retrieval of technical documentation.

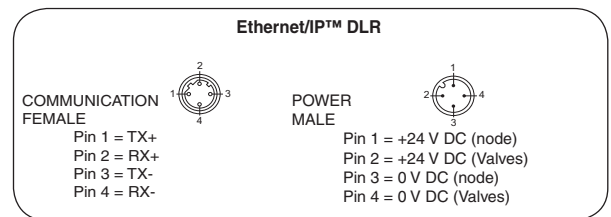
Numatics' 580 EtherNet/IP™ DLR (Device Level Ring) node with integrated display, has an embedded switch which allows the unit to be used in simplified networks with linear topology configurations (daisy chain). Additionally, the DLR compatibility allows the node to be used in a fault tolerant "ring" network, when using appropriate EtherNet/IP™ DLR scanners. DLR configuration allows communication recovery from a single point failure on the network ring (e.g. failed network connection or cable).

The 580 EtherNet/IP™ nodes have been tested and approved for conformance by the ODVA

More information about EtherNet™ and the ODVA can be obtained from the following WEB site:  
Open Device Vendors Association (ODVA) [www.odva.org](http://www.odva.org)



Description	Replacement Part Number
EtherNet/IP DLR communications module (node)	P580AEED1010A00



**Technical Data**

Electrical Data	Voltage	Current
Node Power at Max. Brightness Valves	24 VDC +/- 10%	4 A Maximum
Power Connector	Single key 4 pin M12 (male)	
Communication Connector	Two D-coded 4 pin M12 (female)	
LED's	Module Status, Network Status and Activity / Link	

Operating Data	
Temperature Range	-10°C to +50°C
Humidity	95% relative humidity, non-condensing
Vibration / Shock	IEC 60068-2-27, IEC 60068-2-6
Moisture	IP65 Certified





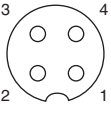
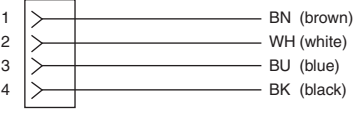
Configuration Data	
Graphic Display	Display used for setting IP address, Subnet Mask, Fault / Idle Actions, Diagnostics and all other system settings.
Maximum Valve Solenoid Outputs	128 (501), 80 (502-503)

Network Data	
Supported Baud Rates	10 Mbit / 100 Mbit
Bus Connector	Two D-coded 4 pin M12 (female)
Diagnostics	Power, short, open load conditions and module health and configuration are monitored
Special Features	Embedded two port switch, Device Level Ring (DLR) compatibility, fail-safe device settings, integrated web server, HTTP, TFTP, UNICAST

Weight	
EtherNet/IP™ DLR communications module	227 g

01439GB-2017/R02 Availability, design and specifications are subject to change without notice. All rights reserved.

Accessories for EtherNET/IP™ DLR

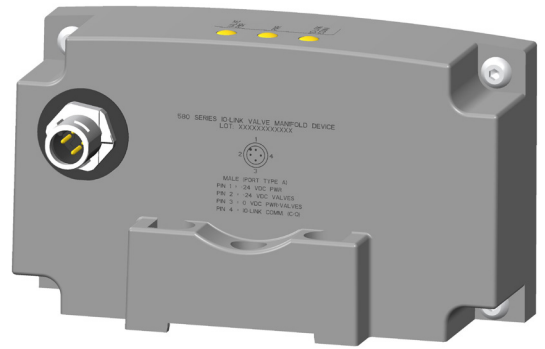
Accessory	Description		Order Code
	M12 Straight 4 Pin Male D-Coded to Male RJ45 network Cable - Shielded	5 m	<b>QA0405MK0VA04000</b>
		10 m	<b>QA0410MK0VA04000</b>
	M12 elbow 4 Pin Male D-Coded Field Wireable network Connector PG 9 Cable Gland – Screw Terminal		<b>QB04F2000000071N</b>
	M12 90° 4 Pin Female Field Wireable Connector (PG 9 Cable Gland) (4 pin elbow female cable connector 7/8"		<b>TD04F20000000000</b>
	<p>M12 90° 4 Pin Female Single Ended Cable, Euro Color Code (4 pin elbow female cable connector 90° with 10 m cable)</p>  		<b>TD0410MAE0000000</b>

## IO-Link® (Class A & Class B)

IO-Link® is a globally standardized IO technology (IEC 61131-9) developed primarily for communication with smart sensors and actuators that can also be used with valves and other field devices. IO-Link® is used to individually link field devices and resides below the I/O level. An IO-Link® Master with a higher level fieldbus or Ethernet communication protocol is required. The IO-Link Consortium, which is a technical committee within PROFIBUS® & PROFINET® International (PI), oversees and manages IO-Link® specifications.

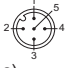
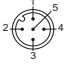
Numatics' IO-Link® communications node offers both event based as well as standard I/O mapped diagnostics, requires minimal commissioning, and is compatible with distributed modular I/O. Supports both Class A (4 pin) and Class B (5 pin with isolated ground) communication port types.

More information regarding IO-Link® can be obtained from the following website: [www.io-link.com](http://www.io-link.com)



Description	Replacement Part Number
IO-Link® Class A (4 pin) Communications Module (node)	P580AELM1010A00
IO-Link® Class B (5 pin) Communications Module (node)	P580AELM2010A00

**IO-Link® (Class A & Class B)**

<p>The IO-Link® (Port Type A) connector is a single keyway 4 pin M12 male connector</p> <p>Pin 1 = +24 V DC PWR Pin 2 = +24 V DC (Valves) Pin 3 = 0 V DC PWR (Valves) Pin 4 = IO-Link COMM (C/Q) Pin 5 = NO CONNECT</p> 	<p>The IO-Link® (Port Type B) connector is a single keyway 5 pin M12 male connector</p> <p>Pin 1 = +24 V DC PWR Pin 2 = +24 V DC (Valves) Pin 3 = 0 V DC PWR Pin 4 = IO-Link COMM (C/Q) Pin 5 = 0 V DC (Valves)</p> 
---	---

### Technical Data

Electrical Data	Voltage	Current
Node Power	24 VDC +/- 10%	0,020 A
Valves	24 VDC +/- 10%	4 A Maximum
Power and Communication Connector	Class A: A-Coded 4 pin M12 (male)/Class B: A-Coded 5 pin M12 with isolated ground (male)	
LEDs	Valve Power, Node Power, Communication	

Operating Data	
Temperature Range (ambient)	-10°C to 50°C
Humidity	95% Relative Humidity, Non-condensing
Vibration/Shock	IEC 60068-2-27, IEC 60068-2-6
Moisture	IP65 Certified

Configuration Data	
Maximum Valve Solenoid Outputs	32

Network Data	
Supported Baud Rates	COM 2: 38,4K
Diagnostics	Power, short, open load conditions with both standard I/O mapped diagnostics and event based diagnostics
Special Features	Fail-safe device settings

Weight	
IO-Link® Communications Module	Class A: 298 g, Class B: 303 g

### IO Link field wireable

M12 straight 5 pins Female A-Coded IO Link field wireable  
PG-9 Cable Gland






TC05F20000000000

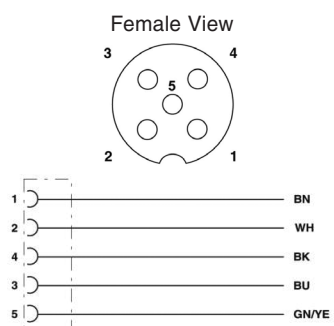
M12 90° Elbow 5 pins Female A-Coded IO Link field wireable  
PG-9 Cable Gland



TD05F20000000000

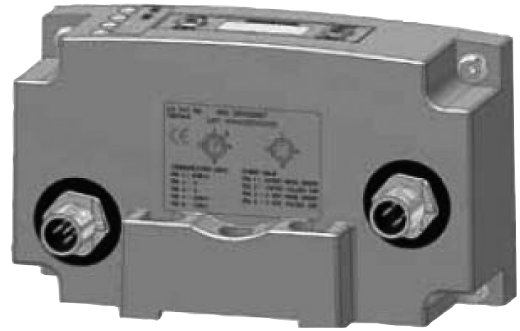
Accessories for IO-Link® (Class A & Class B)

Accessory	Description		Order Code
<b>M12 Class A Compatible Cables</b>			
	M12 Straight 4 Pin Male Single Ended Cable, Euro Color Code	1,5 m	<b>TA04E5MIE000071P</b>
		5 m	<b>TA0405MIE000071P</b>
	M12 90° 4 Pin Male Single Ended Cable, Euro Color Code	1,5 m	<b>TB04E5MIE000071P</b>
		5 m	<b>TB0405MIE000071P</b>
	M12 Straight 4 Pin Male to Female Cable Extension	1,5 m	<b>TC04E5MIETA0471P</b>
		3 m	<b>TC0403MIETA0471P</b>
<b>M12 Class B Compatible Cables</b>			
	M12 Straight 5 Pin Female Single Ended Cable - Unshielded	5 m	<b>TC0505MIE000071P</b>
		10 m	<b>TC0510MIE000071P</b>
	M12 Straight 5 Pin Female to Male Double Ended Cable - Unshielded	5 m	<b>TC0505MIETA0571P</b>
		10 m	<b>TC0510MIETA0571P</b>
	M12 90° 5 Pin Female Single Ended Cable - Unshielded	5 m	<b>TD0505MIE000071P</b>
		10 m	<b>TD0510MIE000071P</b>

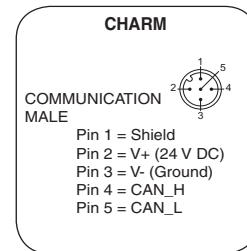
Technical Data	Cable	M12 Field Wireable	Pin Out/Color Code
Molded Body/Insert	TPU	Polyamide	
Coupling Nut	Nickel Plated Zinc	Nickel Plated Zinc	
Cable Jacket Material	PUR	NA	
Cable O.D.	5mm	Accepts 3 – 6,5 mm	
Voltage Rating	60 V	125 V	
Current Rating	4 A	4 A	
Degree of Protection	IP65 (mated)	IP65 (mated)	
Operating Temperature	-25°C to 90°C	-20°C to 100°C	
Conductor Gauge	22 AWG	18 – 24 AWG	
Minimum Bend Radius	50 mm	NA	
Wire Connection	NA	Screw Terminal	

## 580 CHARM Node

The 580 CHARM node allows the pneumatic valve manifold to directly connect to the CHARM I/O Card (CIOC) baseplate and be controlled by DeltaV. The 580 CHARM node is connected via 2 cables to the bottom baseplate extender of the (CIOC). This provides full redundancy to the pneumatic manifold. The 580 CHARM node is commissioned via the DeltaV explorer.



Description	Replacement Part Number
580 CHARM module (node)	P580AECH1010A00



## Technical Data

Electrical Data	Voltage	Current
Comm. Power (via baseplate extender)	6,3 V	100 mA
Valve Power (via baseplate extender)	24 V	1,07 A
Power and Communication Connector	A-coded 5 Pin M12 (male)	
LED's	Module Status and Network Status	

Operating Data	
Temperature Range (ambient)	-10°C to +50°C
Humidity	95% relative humidity, non-condensing
Vibration / Shock	IEC 60068-2-27, IEC60068-2-6
Moisture Protection	IP65

Configuration Data	
Graphic Display	Display used for setting CHARM address and all other system settings.
Maximum Valve-Solenoid Outputs	48 (501 Series) and 48 (502/503 Series)

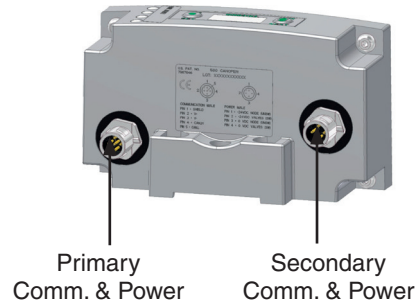
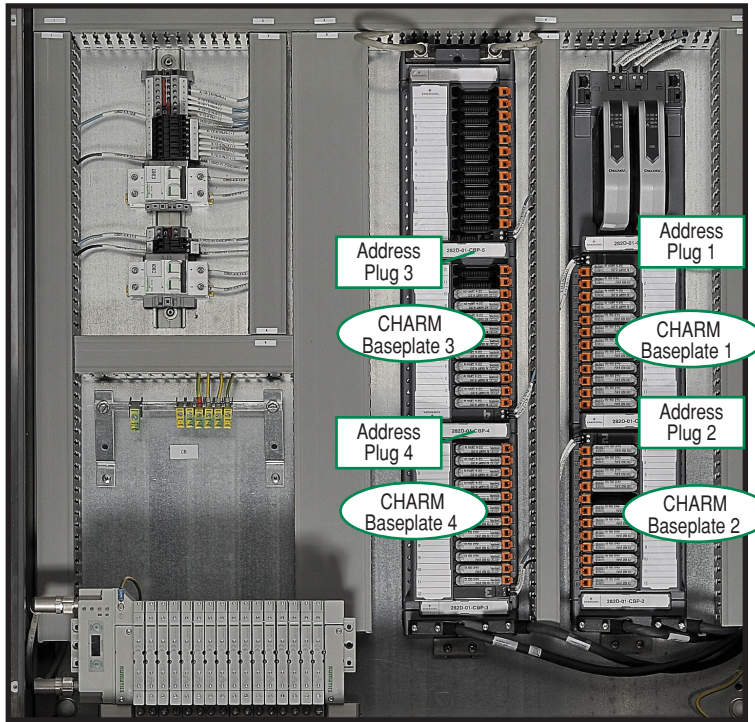
Network Data	
Redundant Power and Comm. Connectors (Primary & Secondary)	A-coded 5 Pin M12 (male)
Diagnostics	Power, short, open load conditions are monitored
DeltaV version	Compatible DeltaV series S ; FHX file integrated in v13 version ; download file for v11 and v12 versions

Weight	
CHARM Communication Node	336 g

01439GB-2017/R02  
Availability, design and specifications are subject to change without notice. All rights reserved.


### CHARM Communication & Power connection

the front panel of the communication module is equipped with a 5 pin M12.



Both Cables provide 6.3 V for Comm. and 24 V for valve Power

### Accessories for CHARM

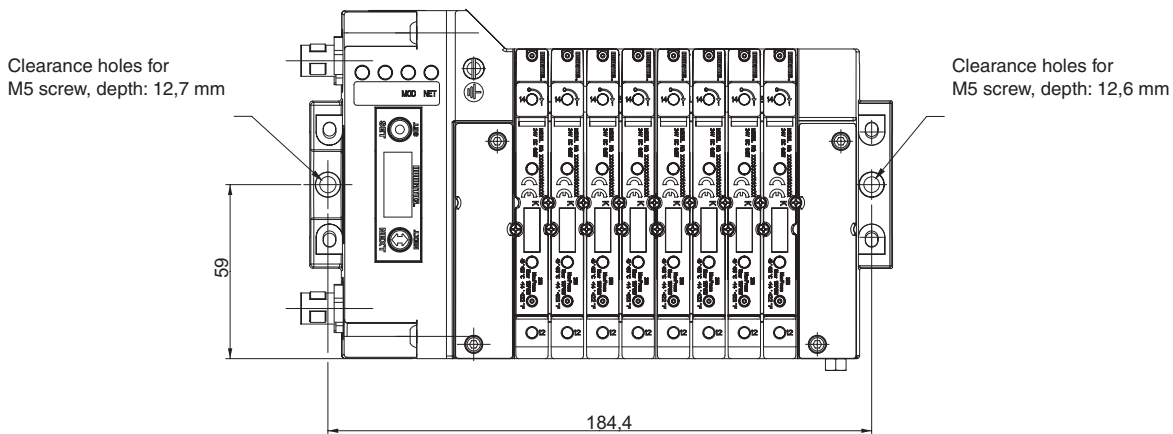
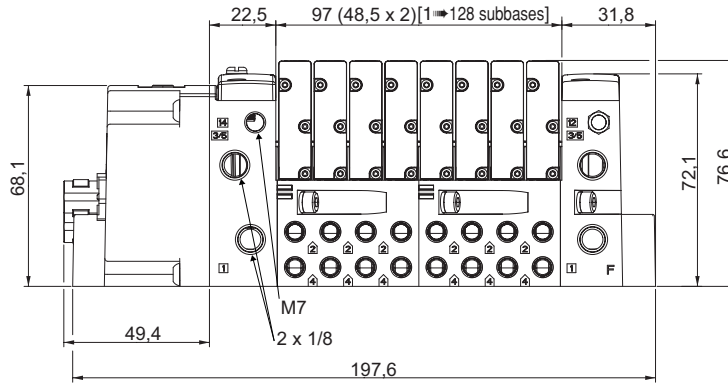
Accessory	Description	Order Code
-	1,5 Meter Cable with M12 and Sub-D Connectors (Moulded version)	<b>P599AF519387001</b>
-	0,5 Meter Cable with M12 and Sub-D Connectors (Moulded version)	<b>P599AF519387002</b>
	Valve Power Isolator M12-Y	<b>P599AF516881001</b>

**Dimensions (mm)**

**Dimensional Drawing - 580 Fieldbus Manifold Assembly**

[Configurator - CAD Files](#)

**501 Series Valve Manifold Assembly with 580 Electronics**



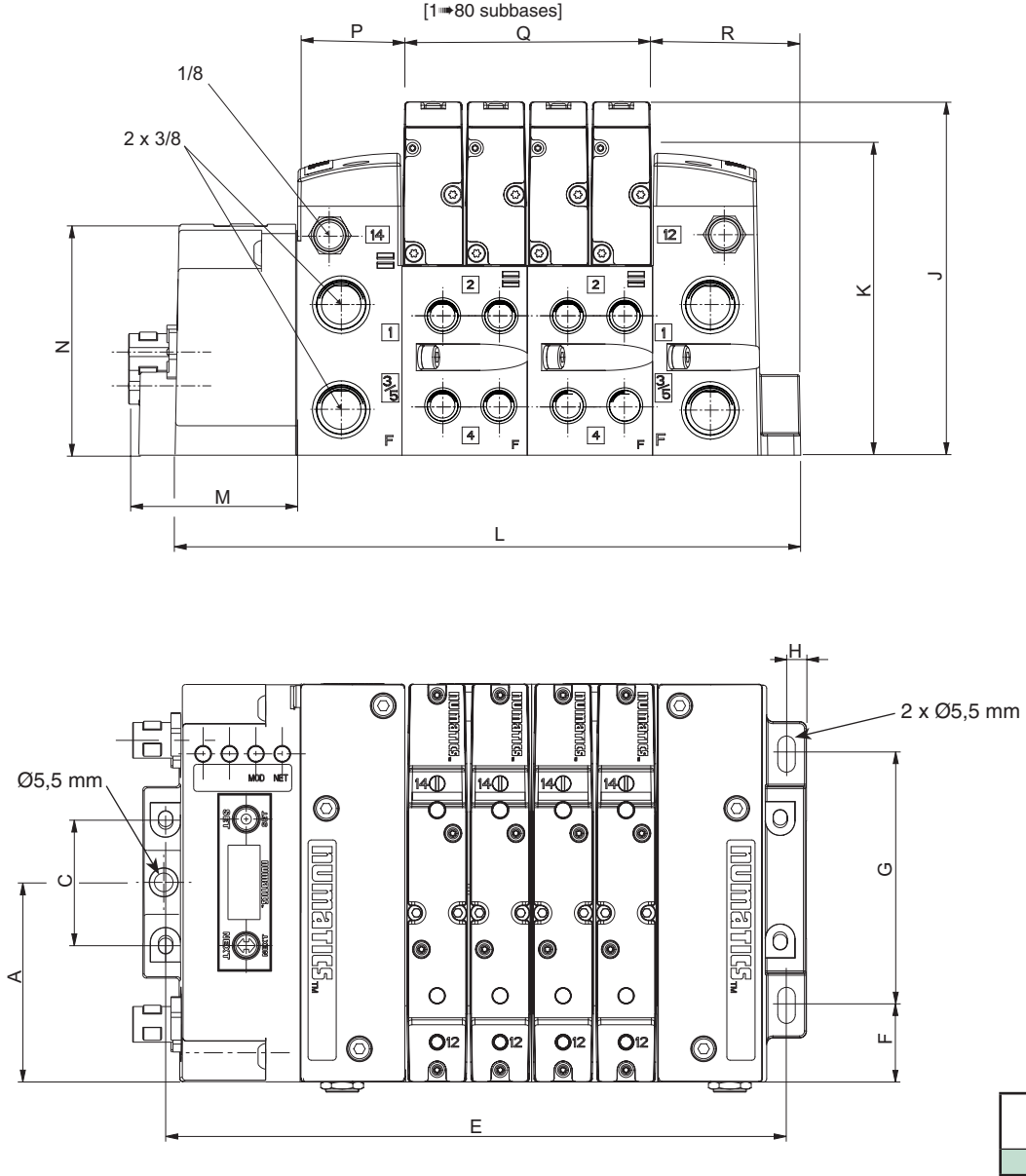
\* - For valve manifold dimensions refer to Valve Series product catalogs

**Dimensions (mm/ Inches)**

**Dimensional Drawing - 580 Fieldbus Manifold Assembly**

[Configurator - CAD Files](#)

**502 Series Valve Manifold Assembly with 580 Electronics**



A	C	E	F	G	H	J	K	L	M	N	P	Q	R
60	38	186,95	23,1	75,8	6	107,3	91,5	187,8	49,4	68,1	31,8	76	45

\* - For valve manifold dimensions refer to Valve Series product catalogs

weight (kg)
2,6

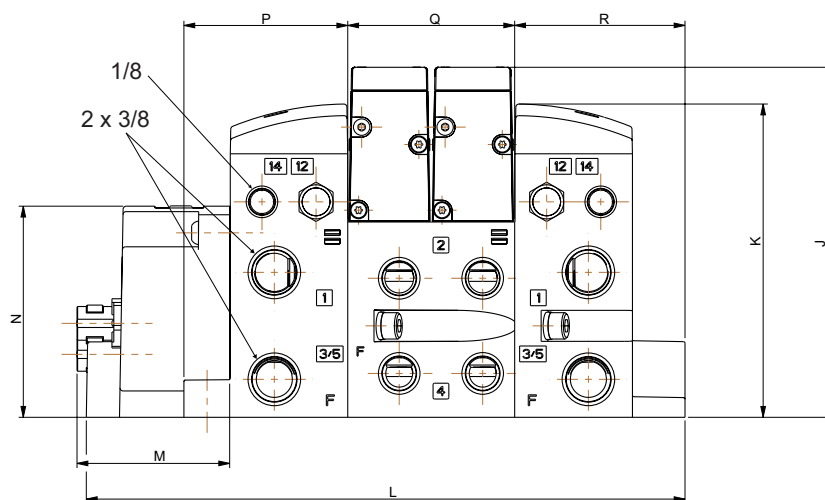
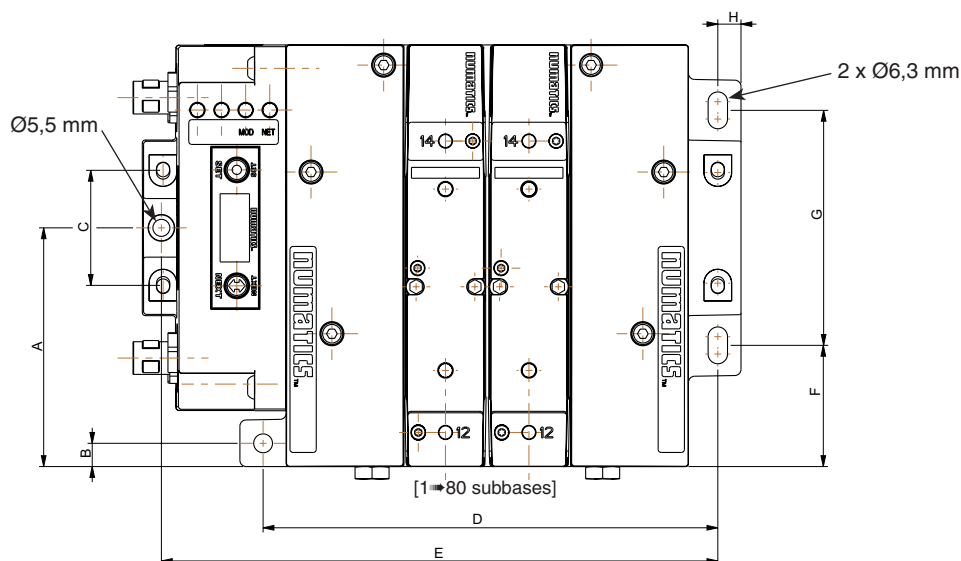


Dimensions (mm/ Inches)

Dimensional Drawing - 580 Fieldbus Manifold Assembly

[Configurator - CAD Files](#)

503 Series Valve Manifold Assembly with 580 Electronics



masse (kg)
2,8

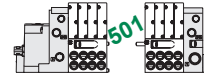
A	B	C	D	E	F	G	H	J	K	L	M	N	P	Q	R
77	7.5	38	147,1	180	39,1	75,8	7,5	113	101	194	49,4	68,1	53	54	55,1

\* - For valve manifold dimensions refer to Valve Series product catalogs

01439GB-2017/R02  
Availability, design and specifications are subject to change without notice. All rights reserved.



**How to Order**  
**Manifold assemblies kit (Electronic + End plate)**



**15-DIGIT PRODUCT CODE**

**G 501 A V 8 B 1 0 0 V A00**

**Thread connection**

- G = ISO 228/1
- 8 = NPT (contact us)
- K = Push-in connectors

**Product series**

501 (11 mm valve)

**Revision letter**

A = Initial release

**Product type**

V = Valve Manifold Assembly

**Electronics**

- 8 = 580 Fieldbus Electronics
- D = CHARMS Electronics (48 coils)

**Number of Valve Stations**

501						
A = NA/33/65/97	F = 6/38/70/102	K = 11/43/75/107	P = 16/48/80/112	U = 21/53/85/117	Z = 26/58/90/122	6 = 31/63/95/127
B = NA/34/66/98	G = 7/39/71/103	L = 12/44/76/108	Q = 17/49/81/113	V = 22/54/86/118	2 = 27/59/91/123	7 = 32/64/96/128
C = 3/35/67/99	H = 8/40/72/104	M = 13/45/77/109	R = 18/50/82/114	W = 23/55/87/119	3 = 28/60/92/124	
D = 4/36/68/100	I = 9/41/73/105	N = 14/46/78/110	S = 19/51/83/115	X = 24/56/88/120	4 = 29/61/93/125	
E = NA/37/69/101	J = 10/42/74/106	O = 15/47/79/111	T = 20/52/84/116	Y = 25/57/89/121	5 = 30/62/94/126	

**Options**

- A00 = Standard (no options)
- MUF = Muffler in End Plates
- DRM = DIN Rail Mount
- DWM = IN Rail Mount with Muffler
- 14X = External pilot supply from port 14
- D12 = External pilot supply from port 14 and Muffler in End Plates
- D14 = External pilot supply from port 14 and DIN Rail Mount
- F06 = External pilot supply from port 14 Muffler in End Plates and DIN Rail Mount

**End Plate Style**

V = Vertical

**Second Valve Series**

0 = No Second Valve Series

**Valve Station Adder**

- 0 = No Adder
- 1 = 32+
- 2 = 64+
- 3 = 96+

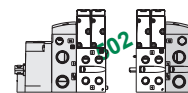
Consult the online configurator - CAD files on:

[www.asco.com](http://www.asco.com)

**End Plate Port Size (1-3-5)**

**501:**

- Used with the first digit «G» or «8»:
- 1 = 1/8 (female thread only)
- Used with the first digit «K»:
- H = 6 x 8 mm (push-in connector)



**How to Order**  
**Manifold assemblies kit (Electronic + End plate)**

**15-DIGIT PRODUCT CODE**

**G 502 A V 8 B 1 0 0 V A00**

**Thread connection**

- G** = ISO 228/1
- 8** = NPT (contact us)
- K** = Push-in connectors

**Product series**

**502** (18 mm valve)

**Revision letter**

**A** = Initial release

**Product type**

**V** = Valve Manifold Assembly

**Electronics**

- 8** = 580 Fieldbus Electronics
- D** = CHARMs Electronics (48 coils)

**Number of Valve Stations**

**502**

- |                     |                     |                  |                  |
|---------------------|---------------------|------------------|------------------|
| <b>B</b> = 2/34/66  | <b>L</b> = 12/44/76 | <b>V</b> = 22/54 | <b>7</b> = 32/64 |
| <b>D</b> = 4/36/68  | <b>N</b> = 14/46/78 | <b>X</b> = 24/56 |                  |
| <b>F</b> = 6/38/70  | <b>P</b> = 16/48/80 | <b>Z</b> = 26/58 |                  |
| <b>H</b> = 8/40/72  | <b>R</b> = 18/50    | <b>3</b> = 28/60 |                  |
| <b>J</b> = 10/42/74 | <b>T</b> = 20/52    | <b>5</b> = 30/62 |                  |

**Options**

- A00** = Standard (no options)
- MUF** = Muffler in End Plates
- DRM** = DIN Rail Mount
- DWM** = IN Rail Mount with Muffler
- 14X** = External pilot supply from port 14
- D12** = External pilot supply from port 14 and Muffler in End Plates
- D14** = External pilot supply from port 14 and DIN Rail Mount
- F06** = External pilot supply from port 14 Muffler in End Plates and DIN Rail Mount

**End Plate Style**

**V** = Vertical

**Second Valve Series**

- 0** = No Second Valve Series
- 1** = 11 mm Valve

**Valve Station Adder**

- 0** = No Adder
- 1** = 32+
- 2** = 64+

Consult the online configurator - CAD files on:

[www.asco.com](http://www.asco.com)

**End Plate Port Size (1-3-5)**

**502:**

Used with the first digit «G» or «8» or «K»:

**3** = 3/8

(female thread or push-in connector)

Used with the first digit «K»:

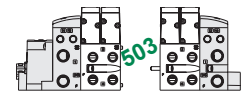
**K** = 8 x 10 mm (push-in connector)

**M** = 10 x 12 mm (push-in connector)



**How to Order**  
**Manifold assemblies kit (Electronic + End plate)**

**15-DIGIT PRODUCT CODE**



**G 503 A V 8 B 1 0 0 V A00**

**Thread connection**

- G = ISO 228/1
- 8 = NPT (contact us)
- K = Push-in connectors

**Product series**

503 (26 mm valve)

**Revision letter**

A = Initial release

**Product type**

V = Valve Manifold Assembly

**Electronics**

- 8 = 580 Fieldbus Electronics
- D = CHARMs Electronics

**Number of Valve Stations**

503

- |              |              |           |           |
|--------------|--------------|-----------|-----------|
| B = 2/34/66  | L = 12/44/76 | V = 22/54 | 7 = 32/64 |
| D = 4/36/68  | N = 14/46/78 | X = 24/56 |           |
| F = 6/38/70  | P = 16/48/80 | Z = 26/58 |           |
| H = 8/40/72  | R = 18/50    | 3 = 28/60 |           |
| J = 10/42/74 | T = 20/52    | 5 = 30/62 |           |

**Options**

- A00 = Standard (no options)
- MUF = Muffler in End Plates
- DRM = DIN Rail Mount
- DWM = DIN Rail Mount with Muffler
- 14X = External pilot supply from port 14
- D12 = External pilot supply from port 14 and Muffler in End Plates
- D14 = External pilot supply from port 14 and DIN Rail Mount
- F06 = External pilot supply from port 14 Muffler in End Plates and DIN Rail Mount
- A27 = Fanuc Robot EE Connection Interface
- D28 = Fanuc Robot EE Connection + Muffler in End Plate

**End Plate Style**

- V = Vertical
- C = Combination

**Second Valve Series**

- 0 = No Second Valve Series
- 2 = 18 mm Valve

**Valve Station Adder**

- 0 = No Adder
- 1 = 32+
- 2 = 64+

Consult the online configurator - CAD files on:

[www.asco.com](http://www.asco.com)

**End Plate Port Size (1-3-5)**

- Used with the first digit «G» or «8» or «K»:
- 3 = 3/8 (female thread or push-in connector)

Used with the first digit «K»:

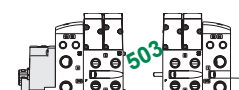
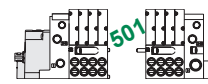
- K = 8 x 10 mm (push-in connector)
- M = 10 x 12 mm (push-in connector)



**How to Order**  
**580 Electronics**

**15-DIGIT PRODUCT CODE**

**P 580 A E DN1 0 1 0 A00**



**Product series**

580 Fieldbus Electronics

**Revision letter**

A = Initial release

**Actuation**

E = Electronics

**Options**

- A00 = Standard (no options)

**Connector Type**

- 1 = M12 Connector (push-in connector)

**Protocol**

- |                            |                                 |
|----------------------------|---------------------------------|
| CO1 = CANopen®             | PN1 = PROFINET® (1)             |
| DN1 = DeviceNet™           | PT1 = PROFIBUS-DP® (1)          |
| EC1 = EtherCAT® (1)        | LM1 = IO-Link Class A (4 pin)   |
| ED1 = EtherNet/IP™ DLR (1) | LM2 = IO-Link Class B (5 pin)   |
| EP1 = EtherNet/IP™         | CH1 = CHARM (1) (Max. 48 coils) |
| PL1 = POWERLINK            | DS4 = SUB-BUS (1)               |

(1) 32+ capable.



**How to Order**

**Valves**

**15-DIGIT PRODUCT CODE**

**R 501 A 2 B 4 0 M A00 F1**

**Thread connection**  
R = Pad mount

**Product series**  
501 (11 mm valve)

**Revision letter**  
A = Initial release

**Actuation**  
2 = Rubber packed

**Valve type**  
B = Solenoid pilot

**Function**  
A = 2x3/2 NO, dual 3-way  
D = 2x3/2 NC, dual 3-way  
N = 5/2, Differential air return  
1 = 5/2, spring return  
4 = 5/2, solenoid air return  
5 = 5/3, W3, open center to exhaust  
6 = 5/3, W1, center closed  
7 = 5/3, W2, open center to pressure

[Configurator - CAD Files](#)



**Voltage - class**  
F1 = 24 V DC - class F

**Options**  
A00 = With impulse manual operator  
11B = With maintained manual operator  
11M = Without manual operator

**Electrical interface**  
M = Plug-in (with LED indicator / DC)



**15-DIGIT PRODUCT CODE**

**R 502 A 2 B 4 0 M A00 F1**

**Thread connection**  
R = Pad mount

**Product series**  
502 (18 mm valve)

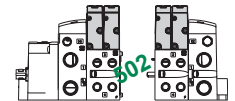
**Revision letter**  
A = Initial release

**Actuation**  
1 = Spool and sleeve  
2 = Rubber packed (2x3/2 NC, only)

**Valve type**  
B = Solenoid pilot  
(With impulse manual operator)

**Function**  
D = 2x3/2 NC, dual 3-way (Rubber packed)  
N = 5/2, Differential air return  
1 = 5/2, spring return  
4 = 5/2, solenoid air return  
5 = 5/3, W3, open center to exhaust  
6 = 5/3, W1, center closed  
7 = 5/3, W2, open center to pressure

[Configurator - CAD Files](#)



**Voltage - class**  
F1 = 24 V DC - class F

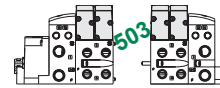
**Options**  
A00 = Standard (No option)  
With impulse manual operator  
11B = With maintained manual operator  
11M = Without manual operator

**Electrical interface**  
M = Plug-in (with LED indicator / DC)

01439GB-2017/R02  
Availability, design and specifications are subject to change without notice. All rights reserved.



[Configurator - CAD Files](#)



**How to Order**

**Valves**

**15-DIGIT PRODUCT CODE**

**R 503 A 2 B 4 0 M A00 F1**

**Thread connection**

R = Pad mount

**Product series**

503 (26 mm valve)

**Revision letter**

A = Initial release

**Actuation**

1 = Spool and sleeve

2 = Rubber packed

**Valve type**

B = Solenoid pilot  
(With impulse manual operator)

**Function**

A = 2x3/2 NO, dual 3-way <sup>(2)</sup>

D = 2x3/2 NC, dual 3-way <sup>(2)</sup>

N = 5/2, Differential air return <sup>(2)</sup>

1 = 5/2, spring return

4 = 5/2, solenoid air return

5 = 5/3, W3, open center to exhaust

6 = 5/3, W1, center closed <sup>(2)</sup>

7 = 5/3, W2, open center to pressure

**Voltage - class**

F1 = 24 V DC - class F

**Options**

A00 = Standard (No option)  
With impulse manual operator <sup>(1)</sup>

11B = With maintained manual operator

11Z = With push-button type maintained manual operator

11M = Without manual operator

14B = Internal pilot supply from port 1

81G = 11B + 14B

82K = 11M + 14B

**Electrical interface**

M = Plug-in (with LED indicator / DC)

<sup>(1)</sup> Used external spool valves (internal/external supply configured in the end plate kits).  
For internal piloting, contact us.

<sup>(2)</sup> Only with rubber packed version.



**How to Order**

**Subbase**

**15-DIGIT PRODUCT CODE**

**H 501 A M S4 B M A00 1 0**

**Thread connection**  
**H** = Metric thread  
**K** = Push-in connectors

**Product series**  
**501** (11 mm valve)

**Revision letter**  
**A** = Initial release

**Product type**  
**M** = Manifold base  
**Z** = Mid station supply  
**F** = 32+ Solenoid Manifold Subbase

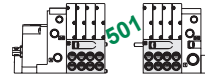
**Mounting**  
**S3** = Manifold base, 3 stations, side port, single Z-Board™  
**M3** = Manifold base, 3 stations, side port, double Z-Board™  
**S4** = Manifold base, 4 stations, side port, single Z-Board™  
**M4** = Manifold base, 4 stations, side port, double Z-Board™  
**M8** = 32+ Solenoid Manifold Sub Base, 8 Stations, Side Ports, Double Z-Board™

**Interface**  
**1** = High flow

**Options**  
**A00** = Standard (No option)  
**96X** = 4 mm Port Size Override for Stations 5-8 of the 128 Solenoid Manifold Sub Base

**Wiring option**  
**M** = Plug-in  
**V** = +24 V DC Separation at First Station

**Port connection**  
**B** = M7 (female thread only)  
**D** = 2,7 x 4 mm [push-in connector only] (Mid station supply not available)  
**F** = 4 x 6 mm [push-in connector only]



**How to Order**

**Subbases**

**15-DIGIT PRODUCT CODE**

**G 502 A M S2 2 M A00 1 0**

**Thread connection**  
**G** = ISO 228/1  
**8** = NPT (contact us)  
**K** = Push-in connectors

**Product series**  
**502** (18 mm valve)

**Revision letter**  
**A** = Initial release

**Product type**  
**M** = Manifold base  
**Z** = Mid station supply  
**F** = 32+ Solenoid Manifold Subbase

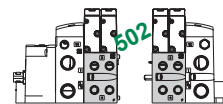
**Mounting**  
**S2** = Manifold base, 2 stations, side port, single Z-Board™  
**M2** = Manifold base, 2 stations, side port, double Z-Board™  
**V2** = Manifold base, 2 stations, side port  
**M4** = 32+ Manifold Sub Base, 4 Stations, Side Ports, Double Z-Board™  
**D2** = Manifold Sub Base, 2 Stations, Dual Flow, Side Ports, Double Z-Board™

**Interface**  
**1** = Pneumatic high flow  
**2** = ISO 15407-2 (18 mm)

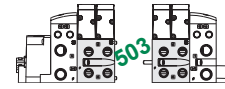
**Options**  
**A00** = Standard (internal pilot)  
**14X** = External pilot supply from port 14  
**83H** = Pilot Separation from Station 1  
**83J** = Pilot Separation from Station 2

**Wiring option**  
**M** = Plug-in  
**T** = 32+ Solenoid Auxiliary Power (used with M4 and F)  
**V** = +24 V DC Separation at First Station  
**W** = +24 V DC Separation at Second Station

**Port connection (2-4)**  
*Used with the first digit «G» or «8»:*  
**1** = 1/8 (female thread only)  
**3** = 3/8 (Used for Dual Flow only)  
**4** = 1/2 (Used for Dual Flow only)  
*Used with the first digit «K»:*  
**F** = 4 x 6 mm [push-in connector only]  
**H** = 6 x 8 mm [push-in connector only]



01439GB-2017/R02 Availability, design and specifications are subject to change without notice. All rights reserved.



**How to Order**

**Subbases**

**15-DIGIT PRODUCT CODE**

**G 503 A M S2 2 M A00 1 0**

**Thread connection**

- G = ISO 228/1
- 8 = NPT (contact us)
- K = Push-in connectors

**Product series**

503 (26 mm valve)

**Revision letter**

A = Initial release

**Product type**

- M = Manifold base
- Z = Mid station supply
- F = 32+ Solenoid Manifold Subbase

**Mounting**

- S2 = Manifold base, 2 stations, side port, single Z-Board™
- M2 = Manifold base, 2 stations, side port, double Z-Board™
- M4 = 32+ Manifold Sub Base, 4 Stations, Side Ports, Double Z-Board™
- D2 = Manifold Sub Base, 2 Stations, Dual Flow, Side Ports, Double Z-Board™

**Interface**

- 1 = Pneumatic high flow
- 2 = ISO 15407-2 (26 mm)

**Options**

- A00 = Standard (internal pilot)
- 14X = External pilot supply from port 14
- 83H = Pilot Separation from Station 1
- 83J = Pilot Separation from Station 2

**Wiring option**

- M = Plug-in
- V = +24 V DC Separation at First Station
- W = +24 V DC Separation at Second Station
- X = 0 & +24 V DC Separation at First Station

T = 32+ Solenoid Auxiliary Power (used with M4 and F)

**Port connection (2-4)**

Used with the first digit «G» or «8»:

- 2 = 1/4
- 4 = 1/2 (Used for Dual Flow only)

Used with the first digit «K»:

- H = 6 x 8 mm [push-in connector only]
- K = 8 x 10 mm [push-in connector only]



**Sandwich shut off block (501-502-503 Series)**

- Used to shut-off pressure to the valve which is mounted above it.
- Allows easy maintenance without the need to shut-off pressure to the whole manifold. (specified for 2x3/2 NC-NC valve)

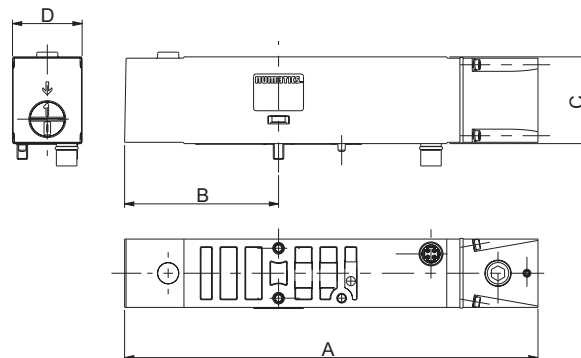
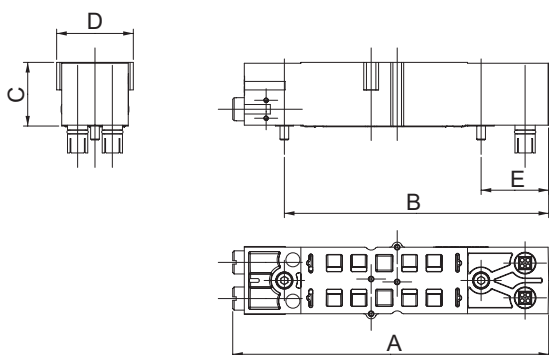
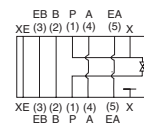


**501 Series**

**502 Series**



**503 Series**



**Dimensions (mm)**

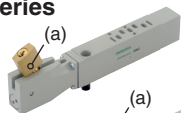
	A	B	C	D	E
<b>501</b>	109,2	91,35	22	26,5	23,35
<b>502</b>	147,2	50,5	27,5	18,5	-
<b>503</b>	157,3	58,6	33	26,5	-

⚠ Usable only for internal pilot supply island

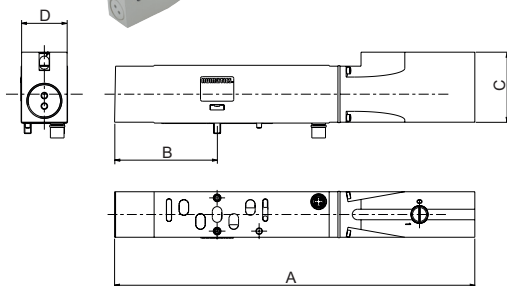
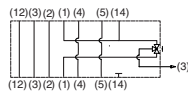
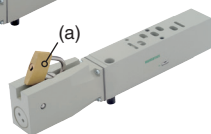
⚠ Pay attention to residual pressures

⚠ The valve(s) should not be energised during disassembly

**502 Series**



**503 Series**



**Dimensions (mm)**

	A	B	C	D
<b>502</b>	171	51	32,7	18,5
<b>503</b>	205,8	58,6	40,5	26

(a) The Lock is not included with this accessory.

	15-DIGIT PRODUCT CODE	Description	weight (kg)
<b>501</b>	<b>R501AY428501001</b>	Sandwich shut off block (double)	0,11
<b>502</b>	<b>R502AY429409002</b>	High Flow - Sandwich shut off block	0,145
<b>503</b>	<b>R503AY426707002</b>	Sandwich shut off block	0,237
<b>502</b>	<b>R502AY429409001</b>	ISO 15407-2 - Sandwich shut off block	0,145
<b>503</b>	<b>R503AY426707001</b>	Sandwich shut off block	0,237
<b>502</b>	<b>R502AY429409004</b>	ISO 15407-2 - Lockable shut off block	0,176
<b>503</b>	<b>R503AY426707003</b>	Sandwich shut off block	0,352

**HOW TO ORDER**

Consult the online configurator - CAD files on: [www.asco.com](http://www.asco.com)

01439GB-2017/R03 Availability, design and specifications are subject to change without notice. All rights reserved.

**Sandwich speed control kit (501-502-503 Series)**

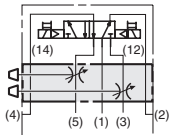
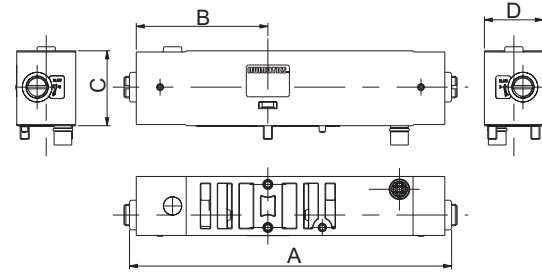
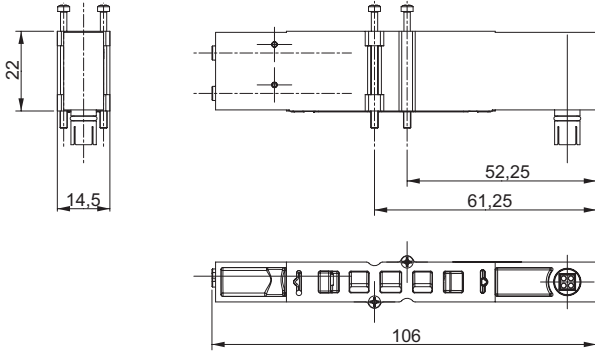
⚠ No usable for ATEX

⚠ No usable for ATEX

**Séries 502**

**503 Series**

**501 Series**



14

	weight (kg)
501	0,055
502	0,138
503	0,248

Dimensions (mm)				
	A	B	C	D
502	124	51	27,5	18,5
503	142	58	33	26

	15-DIGIT PRODUCT CODE	Description
501	R501AS428500001	Sandwich Speed Control
502	R502AS429395002	High Flow - Sandwich Speed Control
503	R503AS425575002	ISO 15407-2 - Sandwich Speed Control
502	R502AS429395001	ISO 15407-2 - Sandwich Speed Control
503	R503AS425575001	ISO 15407-2 - Sandwich Speed Control