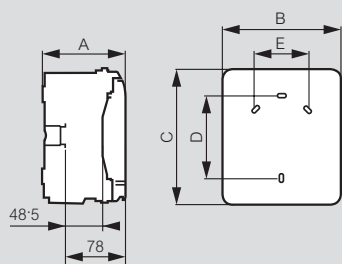


Plexo³ weatherproof enclosures and accessories

IP 65 - IK 09 (continued)

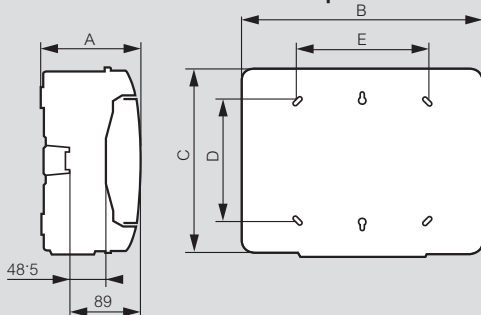
■ Dimensions

Enclosures 2, 4, 6 and 8 modules per row



Cat. Nos.	Dimensions (mm)				
	A	B	C	D	E
6019 32	109	93	174	94	–
6019 74	115.6	128	200	120	–
6019 76	115.6	164	200	120	70
6019 78	115.6	200	200	120	106

Enclosures 12 and 18 modules per row



Cat. Nos.	Dimensions (mm)				
	A	B	C	D	E
6019 81	141	340	282	180	180
6019 82	161	340	432	330	180
6019 83	161	340	622	480	180
6019 85	141	448	282	180	288
6019 86	161	448	432	330	290
6019 87	161	448	622	480	290
6019 88	161	448	822	680	290

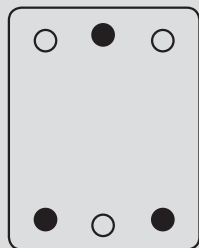
■ Fixing centres

Fixing the enclosure on the wall

Each enclosure is equipped with knockout entries for 2 wall fixing methods :

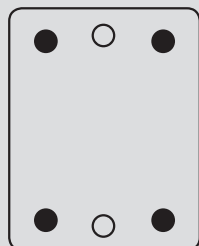
Hanging fixing

1 point in the middle, 2 points at the bottom



Adjustable peripheral fixing

4 fixing points



■ Number of knockouts on each side

Cat. Nos.	Top/bottom			Left/right		
	Ø20 mm	Ø25 mm	Ø32 mm	Ø20 mm	Ø25 mm	Ø32 mm
6019 32	2	–	–	–	–	–
6019 74	2	1	–	2	–	–
6019 76	4	1	–	2	–	–
6019 78	6	1	–	2	–	–
6019 81	7	2	2	–	–	2
6019 82	13	2	2	–	–	3
6019 83	13	2	2	–	–	4
6019 85	12	2	3	–	–	2
6019 86	13	4	3	–	–	3
6019 87	13	4	3	–	–	4
6019 88	13	4	3	–	–	5

■ Direct piercing end caps

Cat. No.	Type	Number of end caps per pack	Ø	
			Min. (mm)	Max. (mm)
0019 55	ISO 20	10	4	13
	ISO 25	5	9	18
	ISO 32	2	12	25

terminal shield boxes

with rail

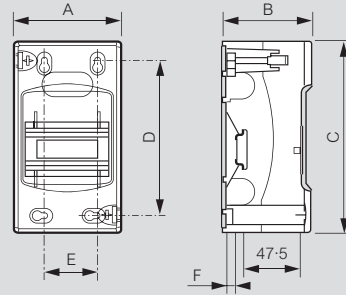


0013 01 0013 04 0013 06 0013 08

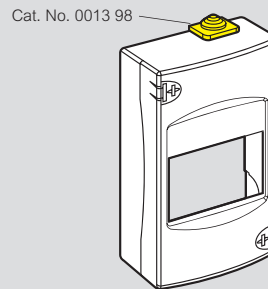
Pack	Cat. Nos.	Terminal shield boxes
		Distribution boxes - 1 to 9 modules
		IP 30 - IK 05
		Conform to IEC 60439-3
		White RAL 9010
		Self-extinguishing
		Supplied with terminal block (box for 6 modules or more)
		Covers can be sealed and clipped on directly (except for box for 9 modules)
		Capacity in 17.5 mm modules
		Dimensions (mm) Height x Width x Depth
10	0013 01	1 140 x 30 x 72
10	0013 02	2 140 x 50 x 72
10	0013 04	4 160 x 90 x 74
5	0013 06	6 160 x 128 x 74
1	0013 08	(8 + 1) 180 x 190 x 83
10	0013 98	Membrane gland for boxes Cat. Nos. 0013 01 to 08

Dimensions

Cat. Nos. 0013 01/02/04/06/08



Cat. Nos.	A (mm)	B (mm)	C (mm)	D (mm)	E (mm)	F (mm)
0013 01	30	72	140	120	10	7
0013 02	50	72	140	115	25	7
0013 04	90	74	160	130	45	7
0013 06	128	74	160	125	80	7
0013 08	190	83	180	130	120	14.5



Entry via tube or cable

Download the full file at

<http://assets.kempstoncontrols.com/doc/Legrand%20Industrial%20and%20power%20protection%20catalogue.pdf>



KEMPSTON
CONTROLS