



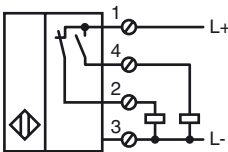
**Model Number**

NJ40+U1+A2

**Features**

- Comfort series
- 40 mm non-flush

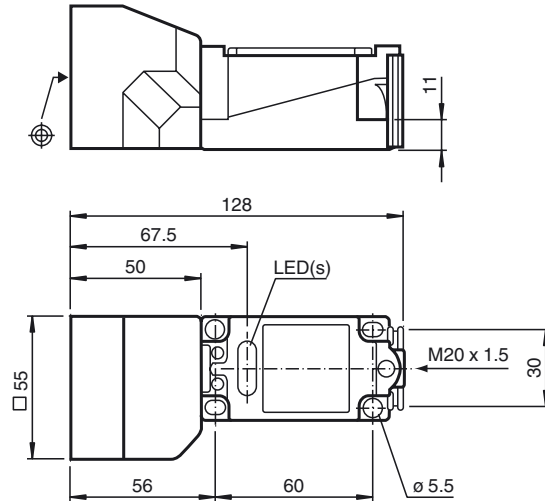
**Connection**



**Accessories**

- V1-M20-80**  
Receptacles, M12/M20; plastic version
- V1-G**  
4-pin, M12 female field-attachable connector
- V1-W**  
4-pin, M12 female field-attachable connector
- MHW 01**  
Modular mounting bracket

**Dimensions**



**Technical Data**

General specifications		
Switching element function	PNP	NO/NC
Rated operating distance	$s_n$	40 mm
Installation		non-flush
Output polarity		DC
Assured operating distance	$s_a$	0 ... 32.4 mm
Reduction factor $r_{AI}$		0.5
Reduction factor $r_{Cu}$		0.45
Reduction factor $r_{304}$		0.8
Nominal ratings		
Operating voltage	$U_B$	10 ... 60 V
Switching frequency	$f$	0 ... 100 Hz
Hysteresis	$H$	1 ... 10 typ. 5 %
Reverse polarity protected		reverse polarity protected
Short-circuit protection		pulsing
Voltage drop	$U_d$	$\leq 2.8$ V
Operating current	$I_L$	0 ... 200 mA
No-load supply current	$I_0$	$\leq 10$ mA
Operating voltage display		LED, green
Indication of the switching state		LED, yellow
Functional safety related parameters		
MTTF <sub>d</sub>		530 a
Mission Time ( $T_M$ )		20 a
Diagnostic Coverage (DC)		0 %
Ambient conditions		
Ambient temperature		-25 ... 70 °C (-13 ... 158 °F)
Mechanical specifications		
Connection type		screw terminals
Core cross-section		up to 2.5 mm <sup>2</sup>
Housing material		PBT
Sensing face		PBT
Protection degree		IP68
Compliance with standards and directives		
Standard conformity		
Standards		EN 60947-5-2:2007 IEC 60947-5-2:2007
Approvals and certificates		
UL approval		cULus Listed, General Purpose
CSA approval		cCSAus Listed, General Purpose
CCC approval		Certified by China Compulsory Certification (CCC)

Release date: 2012-05-31 13:09 Date of issue: 2012-05-31 084525\_eng.xml