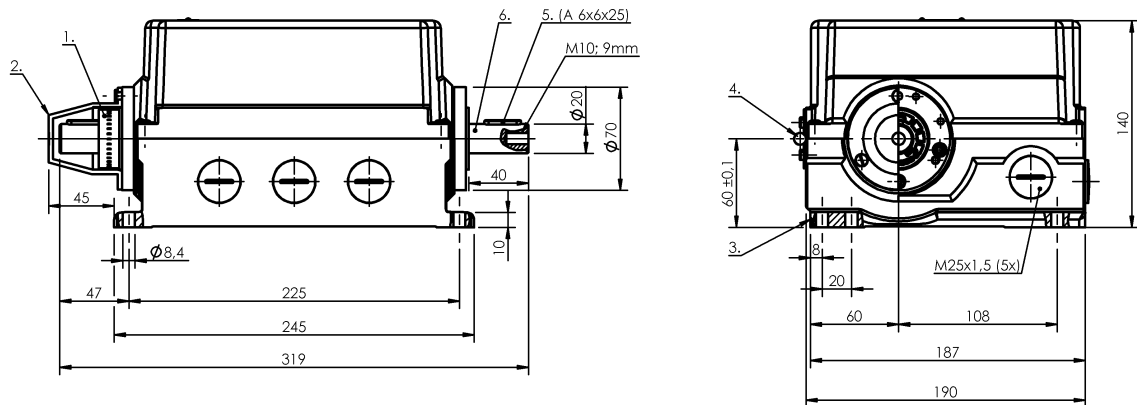


Rotary cam switches
BSW 816-204-09L3-WS
Order Code: BSW005Z

BALLUFF



1) Scale ring, 2) Cover, 3) Reference edge, 4) Hinge, 5) Feather key, 6) Drive right-side



Basic features

Approval/Conformity	CE CCC WEEE
Basic standard	IEC 60947-5-2
Operating principle	1. Switch position: inductive with cam ring
Version	Inductive

Electrical connection

Connection type	1. Switch position: Cable fitting via threaded insert
------------------------	---

Electrical data

Cable entries, number	5 threaded exit M25
Continuous current	1-9. Switch position: 0.1 A
Rated operating voltage Ue	1-9. Switch position: 110 V AC
Speed max.	700 1/min
Speed monitor	None

Environmental conditions

Ambient temperature	-5...80 °C
IP rating	IP65

Functional safety

BG certified	no
---------------------	----

Material

Housing material	Aluminum, Anodized
Housing material, surface protection	Anodized

Mechanical data

Cam rings	1-9. Switch position: 180°
Connection cross-section	2.5 mm ²
Dimension	245 x 140 x 187 mm
Drive shaft, length	40.00 mm
Drive type	right
Minimum torque	1.5 Nm
Mounting hold spacing B	225.0 mm
Rotation direction monitoring	no
Switching element	1-9. Switch position: BES 517-410

Wiring Diagrams

