

Position switch with increased corrosion protection Plastic enclosure according to EN 50047, 31 mm Device connection 1 x (M20 x 1.5) 1 NO/1 NC quick action contacts (replaceable) Roller lever made of stainless steel with plastic roller 13 mm



<b>Product designation</b>	standard position switch
<b>Manufacturer's article number</b>	
<ul style="list-style-type: none"> <li>• of the supplied basic switch</li> </ul>	<a href="#">3SE5232-0CC05-1CA0</a>
<ul style="list-style-type: none"> <li>• of the supplied actuator head for position switches</li> </ul>	<a href="#">3SE5000-0AE12</a>
<ul style="list-style-type: none"> <li>• of the supplied switching contacts</li> </ul>	<a href="#">3SE5000-0CA00</a>
<ul style="list-style-type: none"> <li>• of the supplied empty enclosure with cover</li> </ul>	<a href="#">3SE5232-0AC05-1CA0</a>
Suitability for use safety switch	Yes

General technical data	
<b>Product function</b>	
<ul style="list-style-type: none"> <li>• positive opening</li> </ul>	Yes
<b>Insulation voltage</b>	
<ul style="list-style-type: none"> <li>• rated value</li> </ul>	400 V
<b>Degree of pollution</b>	class 3
<b>Surge voltage resistance rated value</b>	6 kV
<b>Protection class IP</b>	IP65
<b>Shock resistance</b>	
<ul style="list-style-type: none"> <li>• acc. to IEC 60068-2-27</li> </ul>	30 g / 11 ms
<b>Vibration resistance</b>	

<ul style="list-style-type: none"> <li>• acc. to IEC 60068-2-6</li> </ul>	0.35 mm/5g
<b>Mechanical service life (switching cycles)</b>	
<ul style="list-style-type: none"> <li>• typical</li> </ul>	15 000 000
<b>Electrical endurance (switching cycles)</b>	
<ul style="list-style-type: none"> <li>• at AC-15 at 230 V typical</li> </ul>	100 000
<b>Electrical endurance (switching cycles) with contactor 3RH11, 3RT1016, 3RT1017, 3RT1024, 3RT1025, 3RT1026 typical</b>	10 000 000
<b>Electrical operating cycles in one hour with contactor 3RH11, 3RT1016, 3RT1017, 3RT1024, 3RT1025, 3RT1026</b>	6 000
<b>Thermal current</b>	6 A
<b>Material of the enclosure of the switch head</b>	plastic
<b>Continuous current of the C characteristic MCB</b>	1 A; for a short-circuit current smaller than 400 A
<b>Continuous current of the quick DIAZED fuse link</b>	10 A; for a short-circuit current smaller than 400 A
<b>Continuous current of the DIAZED fuse link gG</b>	6 A
<b>Active principle</b>	mechanical
<b>Repeat accuracy</b>	0.05 mm
<b>Minimum actuating force in activation direction</b>	10 N
<b>Length of the sensor</b>	94.4 mm
<b>Width of the sensor</b>	31 mm
<b>Design of the switching contact</b>	mechanical
<b>Operating frequency rated value</b>	50 ... 60 Hz
<b>Number of NC contacts for auxiliary contacts</b>	1
<b>Number of NO contacts for auxiliary contacts</b>	1
<b>Number of CO contacts for auxiliary contacts</b>	1
<b>Operating current at AC-15</b>	
<ul style="list-style-type: none"> <li>• at 24 V rated value</li> </ul>	6 A
<ul style="list-style-type: none"> <li>• at 125 V rated value</li> </ul>	6 A
<ul style="list-style-type: none"> <li>• at 230 V rated value</li> </ul>	6 A
<ul style="list-style-type: none"> <li>• at 400 V rated value</li> </ul>	4 A
<b>Operating current at DC-13</b>	
<ul style="list-style-type: none"> <li>• at 24 V rated value</li> </ul>	3 A
<ul style="list-style-type: none"> <li>• at 125 V rated value</li> </ul>	0.55 A
<ul style="list-style-type: none"> <li>• at 230 V rated value</li> </ul>	0.27 A
<ul style="list-style-type: none"> <li>• at 400 V rated value</li> </ul>	0.1 A
<b>Design of the interface for safety-related communication</b>	without

## Enclosure

<b>Design of the housing</b>	block, narrow
<b>Material of the enclosure</b>	plastic
<b>Coating of the enclosure</b>	Other types
<b>Design of the housing acc. to standard</b>	Yes

Drive Head	
Design of the operating mechanism	Roller lever, high-grade steel lever, plastic roller
Standard-compliant actuator head	EN 50047, design E
Shape of the switch head	roller
Design of the switching function	positive opening
Circuit principle	snap-action contacts
Number of switching contacts safety-related	1

Connections/Terminals	
Type of electrical connection	screw-type terminals
Type of connectable conductor cross-sections	
<ul style="list-style-type: none"> <li>• solid</li> </ul>	1x (0.5 ... 1.5 mm <sup>2</sup> ), 2x (0.5 ... 0.75 mm <sup>2</sup> )
<ul style="list-style-type: none"> <li>• finely stranded with core end processing</li> </ul>	1x (0.5 ... 1.5 mm <sup>2</sup> ), 2x (0.5 ... 0.75 mm <sup>2</sup> )
<ul style="list-style-type: none"> <li>• at AWG conductors solid</li> </ul>	1x (20 ... 16), 2x (20 ... 18)
<ul style="list-style-type: none"> <li>• at AWG conductors stranded</li> </ul>	1x (20 ... 16), 2x (20 ... 18)

Mechanical data	
Cable entry type	1x (M20 x 1.5)

Communication/ Protocol	
Design of the interface	without

Ambient conditions	
Ambient temperature	
<ul style="list-style-type: none"> <li>• during operation</li> </ul>	-25 ... +85 °C
<ul style="list-style-type: none"> <li>• during storage</li> </ul>	-40 ... +90 °C
Explosion protection category for dust	none

Installation/ mounting/ dimensions	
Mounting position	any
Mounting type	screw fixing

Certificates/approvals	
------------------------	--

General Product Approval	Functional Safety/Safety of Machinery	Declaration of Conformity
--------------------------	---------------------------------------	---------------------------



CCC



CSA



UL



[Type Examination Certificate](#)



EG-Konf.

Test Certificates	other
-------------------	-------

[Special Test Certificate](#)

[Confirmation](#)

#### Further information

**Information- and Downloadcenter (Catalogs, Brochures,...)**

<http://www.siemens.com/industrial-controls/catalogs>

**Industry Mall (Online ordering system)**

<https://mall.industry.siemens.com/mall/en/en/Catalog/product?mlfb=3SE5232-0CE12-1CA0>

**Cax online generator**

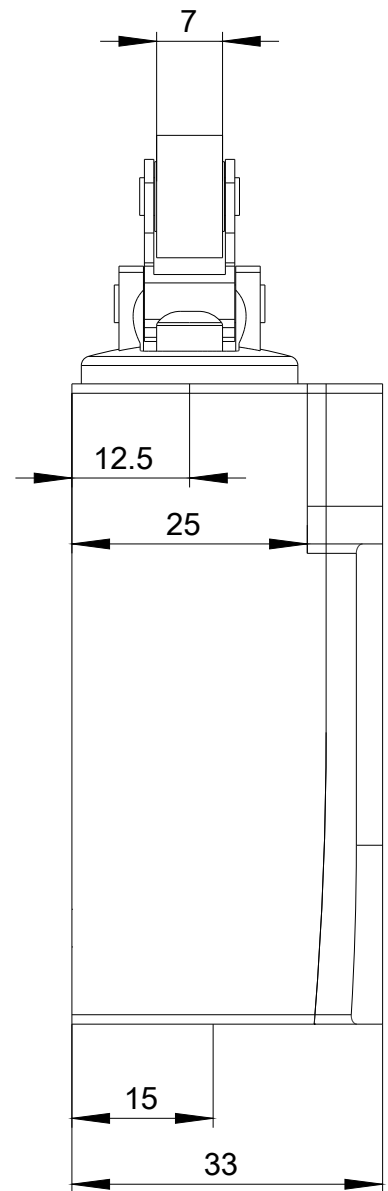
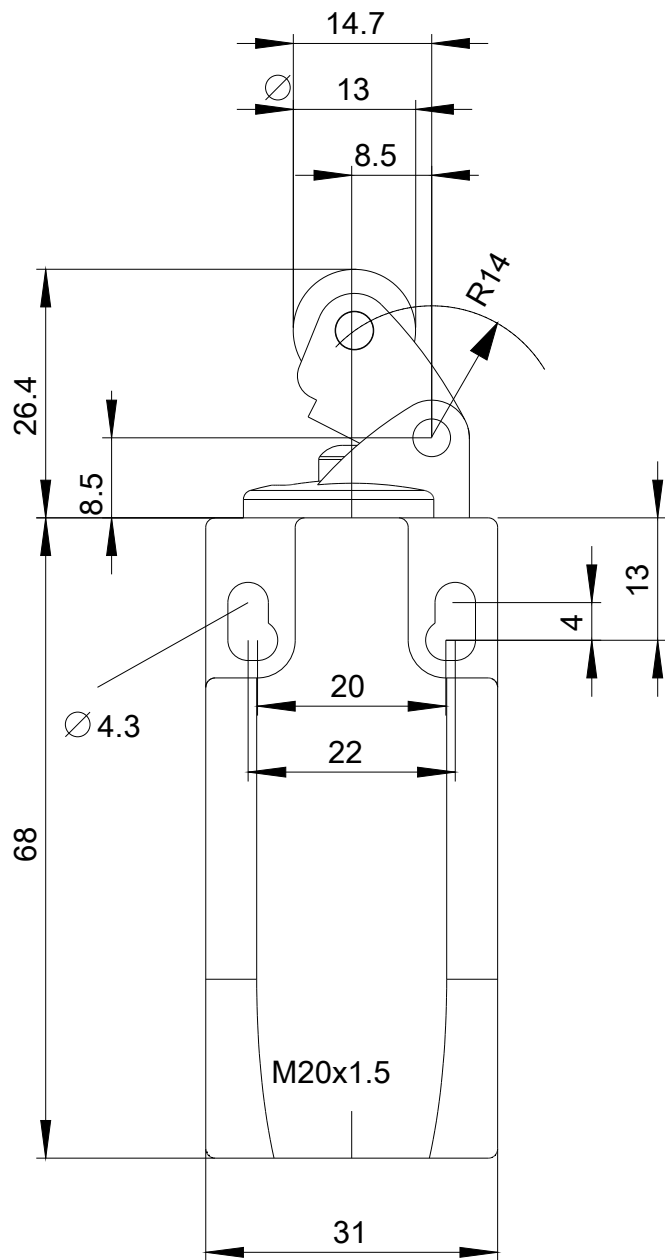
<http://support.automation.siemens.com/WW/CAXorder/default.aspx?lang=en&mlfb=3SE5232-0CE12-1CA0>

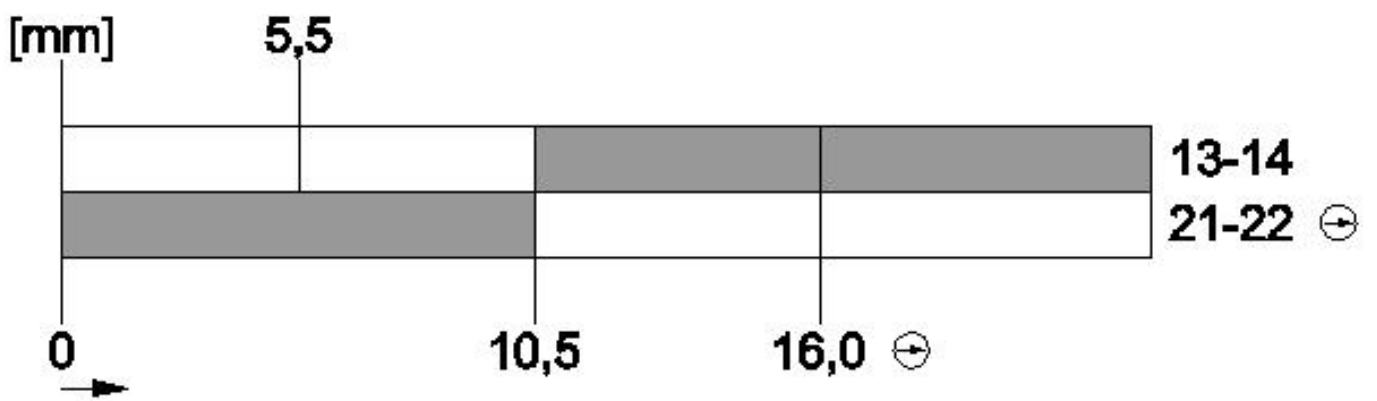
**Service&Support (Manuals, Certificates, Characteristics, FAQs,...)**

<https://support.industry.siemens.com/cs/ww/en/ps/3SE5232-0CE12-1CA0>

**Image database (product images, 2D dimension drawings, 3D models, device circuit diagrams, EPLAN macros, ...)**

[http://www.automation.siemens.com/bilddb/cax\\_de.aspx?mlfb=3SE5232-0CE12-1CA0&lang=en](http://www.automation.siemens.com/bilddb/cax_de.aspx?mlfb=3SE5232-0CE12-1CA0&lang=en)





last modified:

01/15/2018