

# Replacement and Spare Parts Catalogue

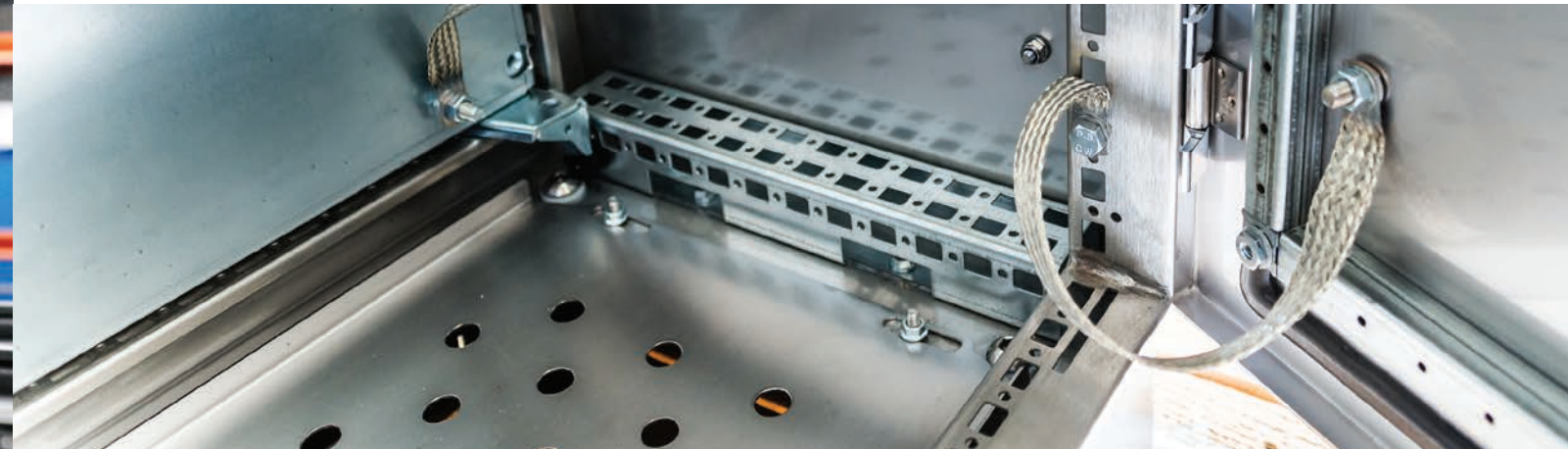






## Eldon provides the right enclosure solution for virtually any application

Eldon's complete range of enclosures and accessories help to protect vital components in factories, airports and national electricity grids.



Eldon is dedicated to deliver the broadest range of optimum products of the highest quality and at the most competitive price to its customers. To deliver on that mission, every detail in our offers is addressed with the highest level of attention and importance. Every Eldon accessory has a major importance in the overall enclosure solution that we have committed to deliver to our customers.

### Assembly services to reduce costs

To further support our customers, we take on assembly of our own accessories as well as the assembly of customer specific accessories. These can be sourced by the customer or developed together with the customer and purchased by Eldon. Our purpose with this service is to help customers reduce their costs by us taking over some of the labor-intensive assembly work. We are able to do this at Eldon thanks to our cost efficient labor and efficient assembly capabilities.

The process includes engineering with the customer, creating drawings and 3D CAD models, as well as the creation of prototypes to ensure meeting exact customer demands when it comes to price and functionality.

### Your benefits:

- A full product range
- Wide range of standard enclosures and accessories
- Enclosures in different materials for many environments
- Full certification
- User friendly for panel builders and operators
- Hole making and cut-outs can be made at Eldon's Service Centers

Eldon. Enclosure solutions for you.





# Replacement and Spare Parts Catalogue

Listing Eldon's comprehensive range of replacement parts and spare parts, the catalogue has been designed to help customers identify at a glance the items they need.

## 01 Wall Mounted Enclosures

<b>Overview</b>	<b>7</b>
Mild steel	8
Stainless steel	12
<b>Replacement parts</b>	<b>17</b>
<b>Spare parts</b>	<b>29</b>



## 02 Floor Standing Enclosures

<b>Overview</b>	<b>47</b>
Mild steel	48
Stainless steel	54
<b>Replacement parts</b>	<b>59</b>
<b>Spare parts</b>	<b>77</b>







## Wall Mounted Enclosures

The wall mounted enclosures have been designed with the user in mind. Practical, efficient and with a wide range of standard sizes and accessories available from stock, the Wall Mounted enclosures offer a solution to virtually every application, or can be easily customised to suit specific requirements.

The stainless steel enclosures provide high resistance to corrosion and ensure performance of equipment. Intended for harsh environments, this range is the ideal solution for food and chemical industries, pharmaceutical plants, outdoor applications and marine environments.

### Wall Mounted Enclosures

#### Overview

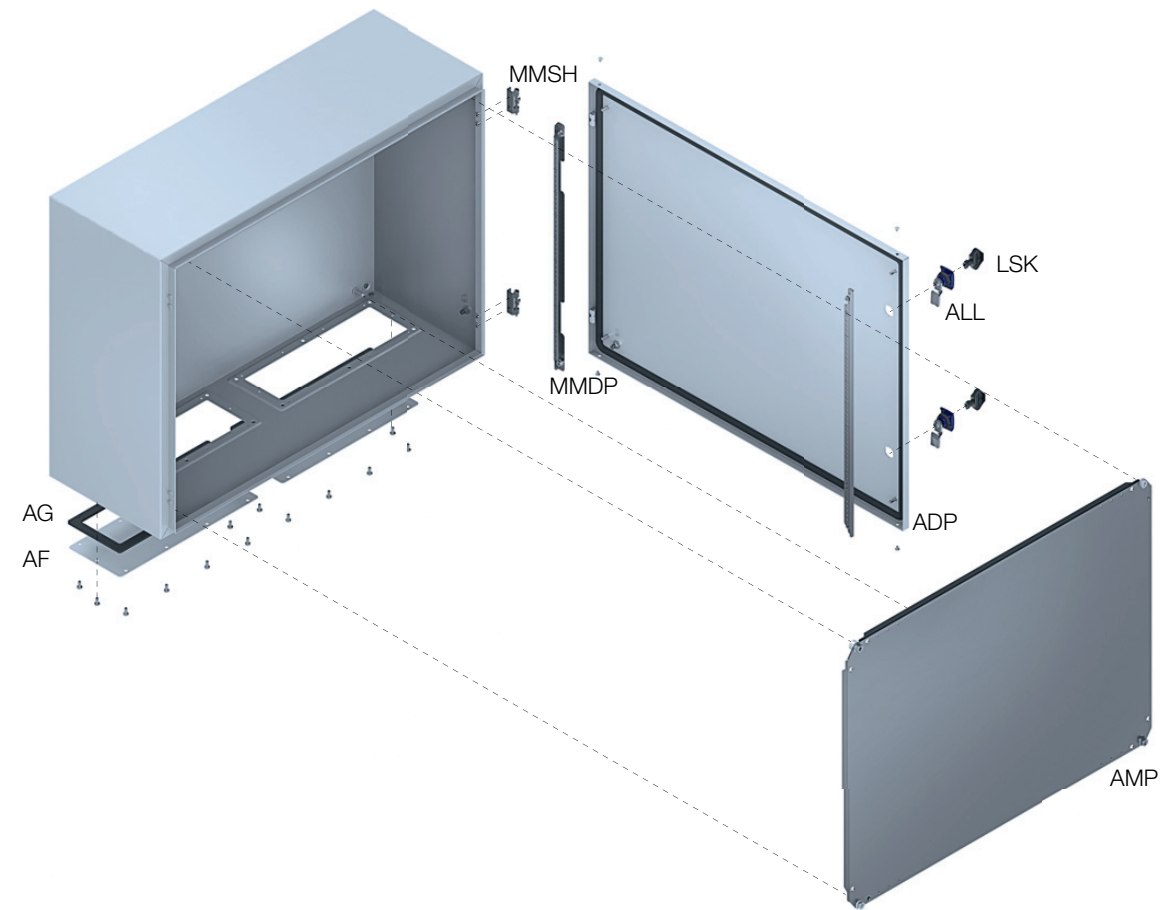
Mild steel	Single door   MAS	8
	Double door enclosure   MAD	10
	Panel   MAP	11
Stainless steel	Single door enclosure   ASR	12
	Double door enclosure   ADR	14
	Single door enclosure, integrated hood   AFS	15
<b>Replacement parts</b>		<b>17</b>
<b>Spare parts</b>		<b>29</b>

# Wall Mounted Enclosures

## Mild steel

### Single door enclosure | MAS

Simple lock



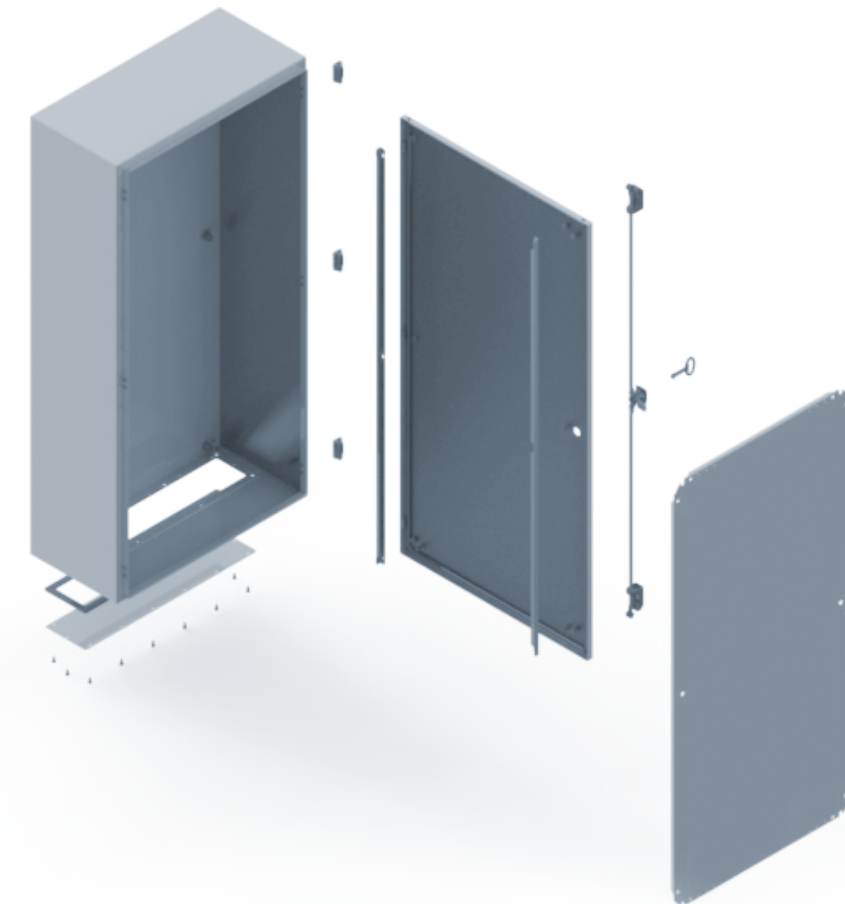
Replacement part	Description	Page No.
ADP	MAS standard door	18
ALL	Standard lock	22
LSK	Standard key	23
MMSH	Standard hinges	24
AF	Standard gland plate	24
AG	Gland plate gasket	24
AMP	Mounting plate	25
MMDP	Door mounting profiles	26
MMAK	Accessories kit	27

# Wall Mounted Enclosures

## Mild steel

### Single door enclosure | MAS

3 points espagnolette locking system

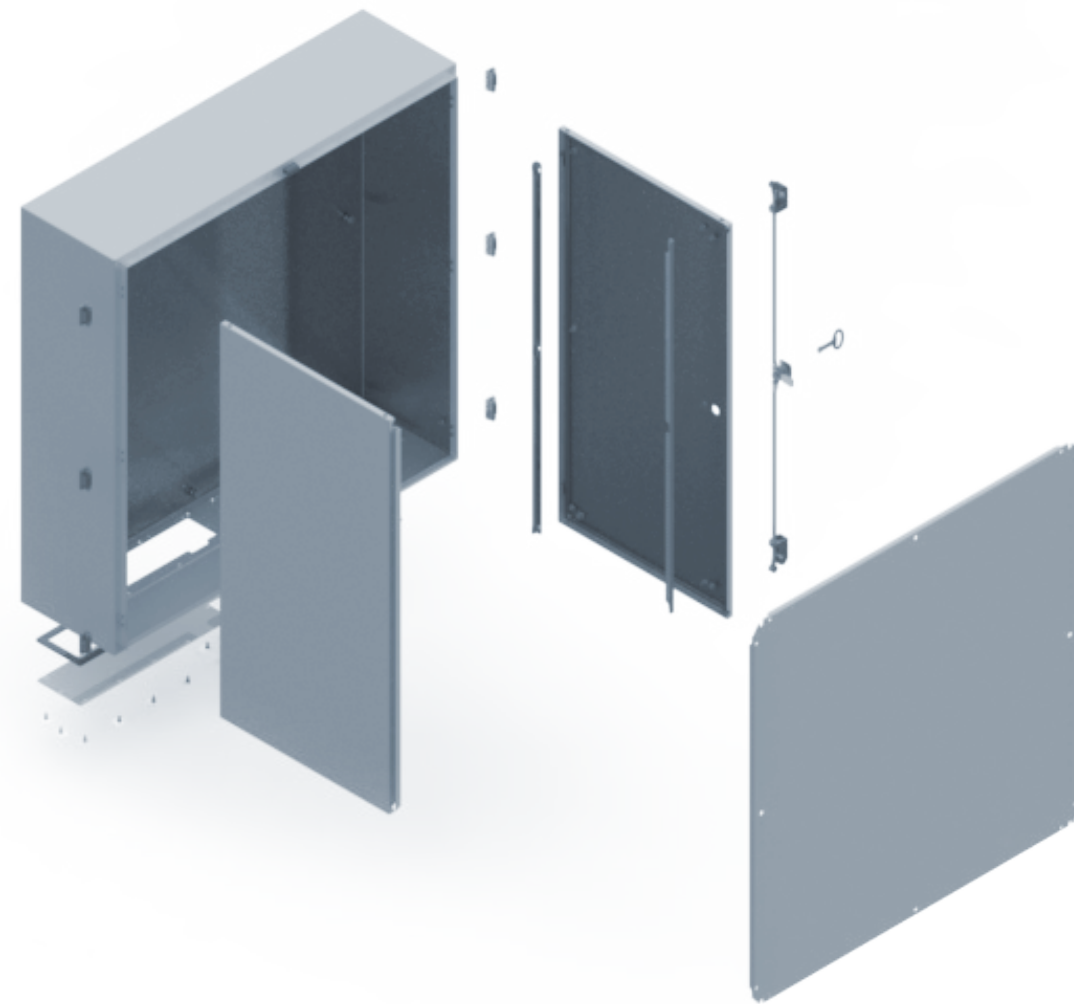


Replacement part	Description	Page No.
ADP	MAS standard door	18
MASLS	MAS standard espagnolette locking system	22
LSK	Standard key	23
MMSH	Standard hinges	24
AF	Standard gland plate	24
AG	Gland plate gasket	24
AMP	Mounting plate	25
MMDP	Door mounting profiles	26
MMAK	Accessories kit	27

# Wall Mounted Enclosures

## Mild steel

### Double door enclosure | MAD

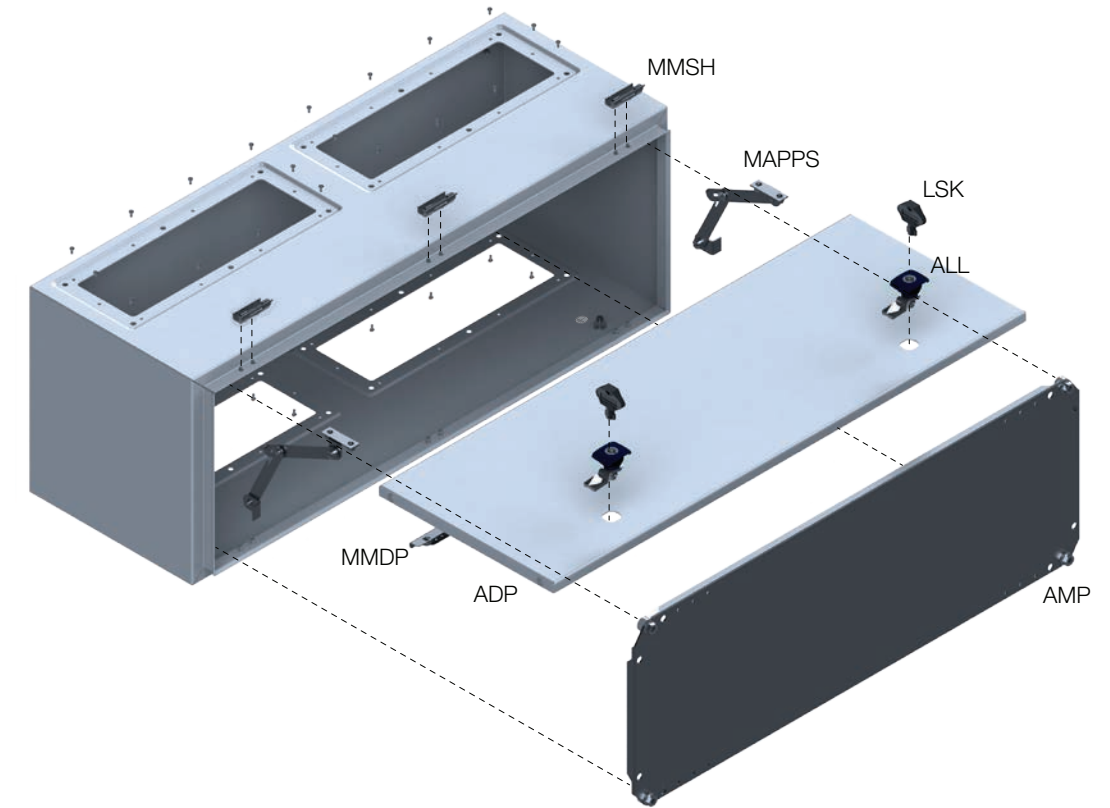


Replacement part	Description	Page No.
ADP	MAD standard door	19
MADLS	MAD standard espagnolette locking system	23
LSK	Standard key	23
MMSH	Standard hinges	24
AF	Standard gland plate	24
AG	Gland plate gasket	24
AMP	Mounting plate	25
MMDP	Door mounting profiles	26
MMAK	Accessories kit	27

# Wall Mounted Enclosures

## Mild steel

### Panel | MAP



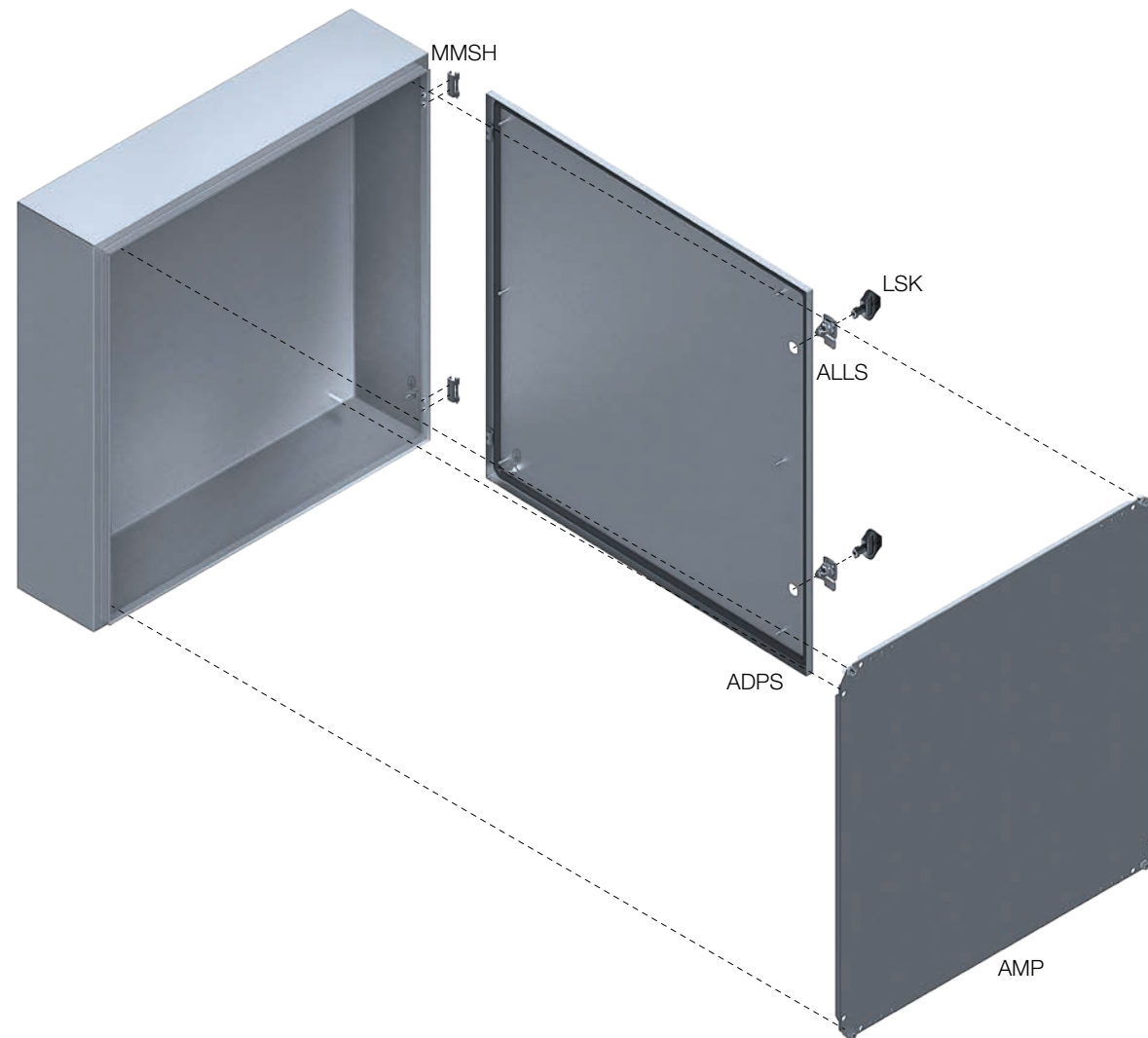
Replacement part	Description	Page No.
ADP	MAP standard door	19
ALL	Standard lock	22
LSK	Standard key	23
MMSH	Standard hinges	24
AMP	Mounting plate	25
MMDP	Door mounting profiles	26
MAPPS	MAP panel stay	27
MMAK	Accessories kit	27

# Wall Mounted Enclosures

## Stainless steel

Single door enclosure | ASR

### Simple lock



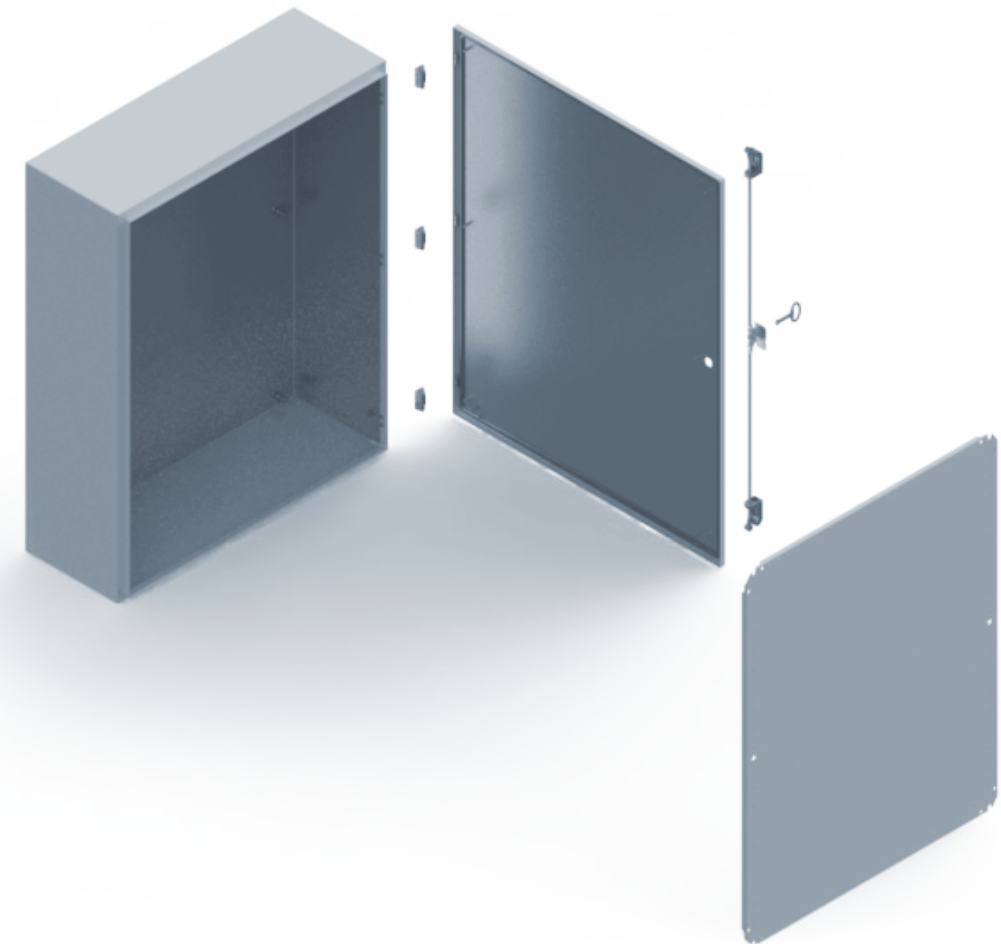
Replacement part	Description	Page No.
ADPS	ASR standard door	20
ALLS	ASR standard lock	22
LSK	Standard key	23
MMSH	Standard hinges	24
AMP	Mounting plate	25
MMAK	Accessories kit	27

# Wall Mounted Enclosures

## Stainless steel

Single door enclosure | ASR

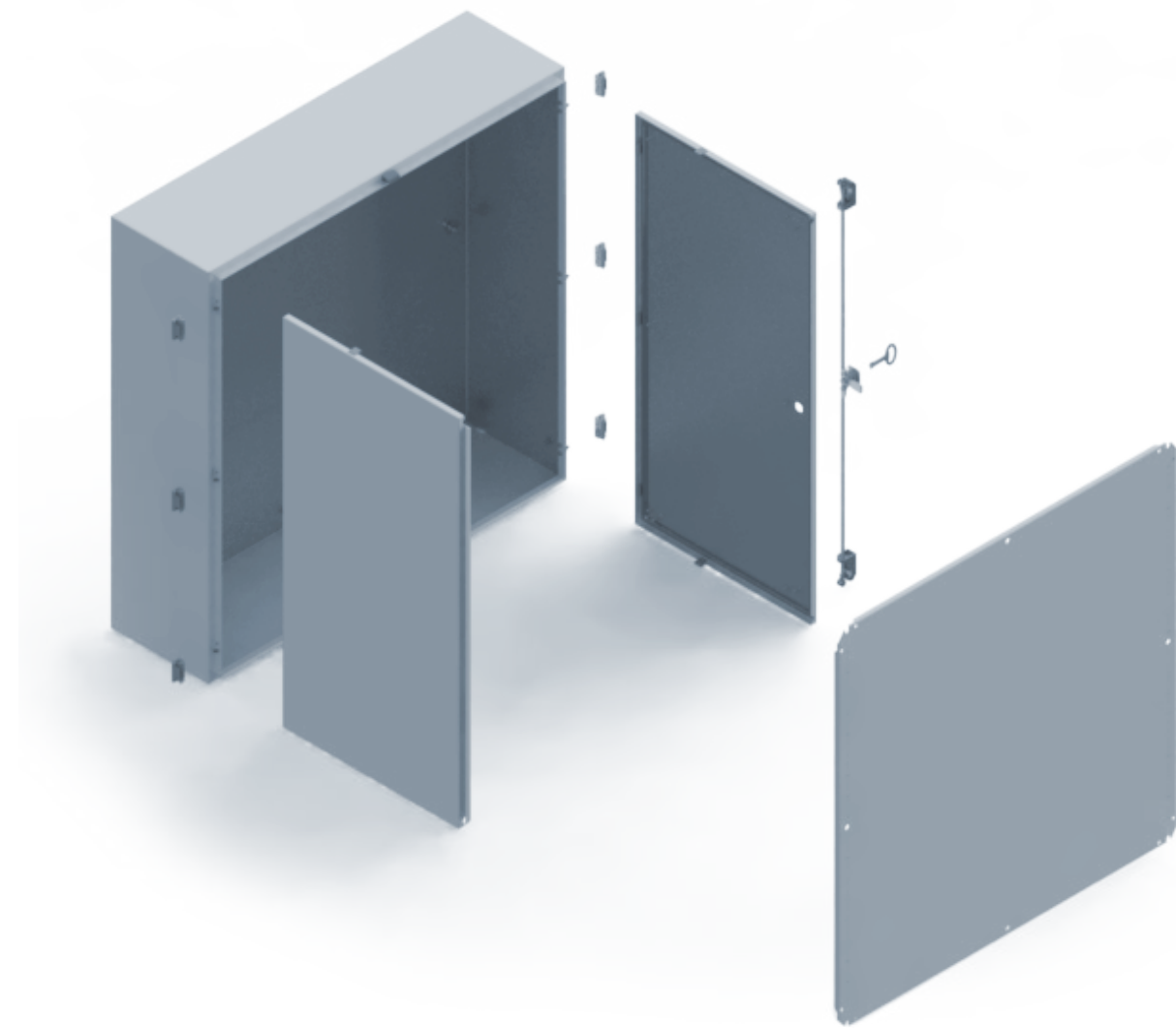
### 3 points espagnolette locking system



Replacement part	Description	Page No.
ADPS	ASR standard door	20
ASRLS	ASR standard espagnolette locking system	23
LSK	Standard key	23
MMSH	Standard hinges	24
AMP	Mounting plate	25
MMAK	Accessories kit	27

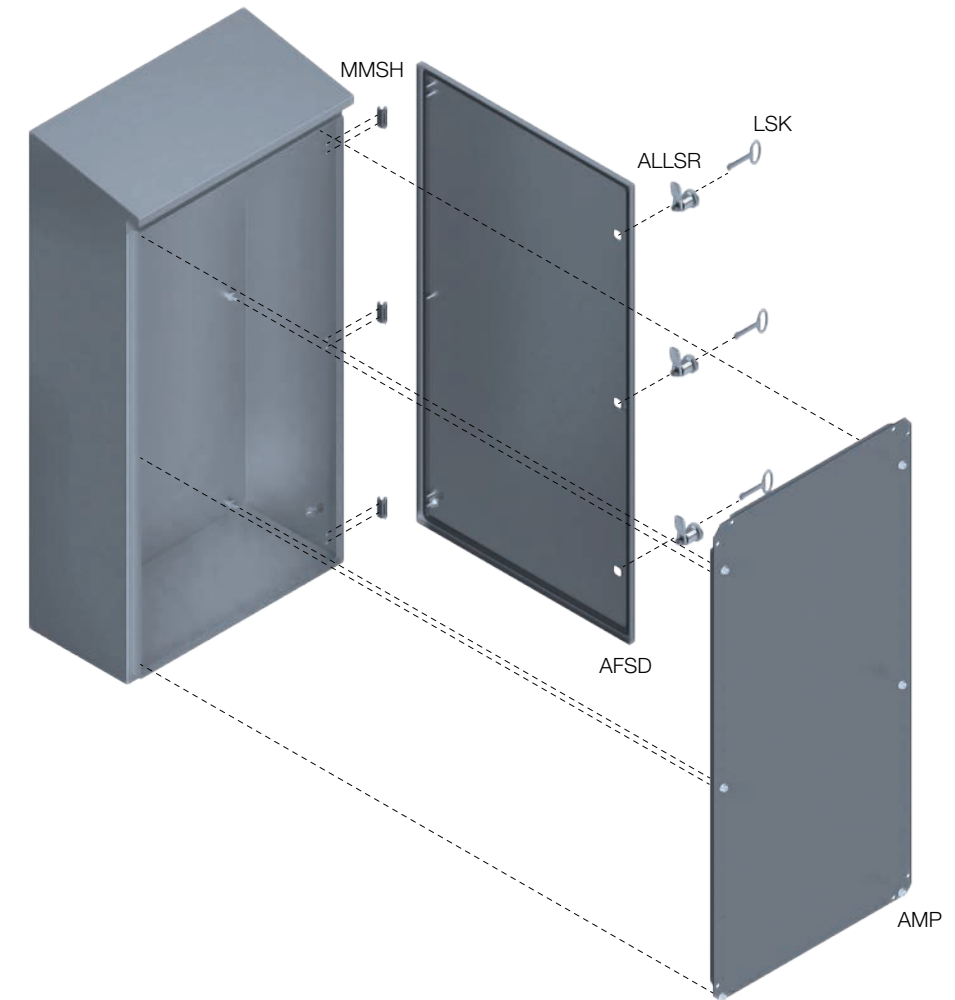


## Wall Mounted Enclosures Stainless steel Double door enclosure | ADR



Replacement part	Description	Page No.
ADPS	ADR standard door	20
ADRLS	ADR standard espagnolette locking system	23
LSK	Standard key	23
MMSH	Standard hinges	24
AMP	Mounting plate	25
MMAK	Accessories kit	27

## Wall Mounted Enclosures Stainless steel Single door enclosure, integrated hood | AFS



Replacement part	Description	Page No.
AFSD	AFS standard door	21
ALLSR	AFS standard lock	22
LSK	Standard key	23
MMSH	Standard hinges	24
AFSM	AFS Mounting plate	26
MMAK	Accessories kit	27





**ELDON** INDUSTRIAL ENCLOSURE MAD1001030017  
 UL LISTED INDUSTRIAL CONTROL PANEL ENCLOSURE ISSUE No. K-4351 Type 12, 13  
 ELDON SRL Str. Brunelleschi 4, 30171 Bagnoli di Montebelluna (TV) Italy

## Wall Mounted Enclosures Replacement parts

Replacement parts		
MAS standard door   ADP		18
MAD standard door   ADP		19
MAP standard door   ADP		19
ASR standard door   ADPS		20
ADR standard door   ADPS		20
AFS standard door   AFSD		21
Standard lock   ALL		22
ASR standard lock   ALLS		22
AFS standard lock   ALLSR		22
MAS standard espagnolette locking system   MASLS		22
MAD standard espagnolette locking system   MADLS		23
ASR standard espagnolette locking system   ASRLS		23
ADR standard espagnolette locking system   ADRLS		23
Standard key   LSK		23
Standard hinges   MMSH		24
Standard gland plate   AF		24
Gland plate gasket   AG		24
Mounting plate   AMP		25
AFS mounting plate   AFSM		26
Door mounting profiles   MMDP		26
MAP panel stay   MAPPS		27
Accessories kit   MMAK		27

## Wall Mounted Enclosures Replacement parts

### MAS standard door | ADP

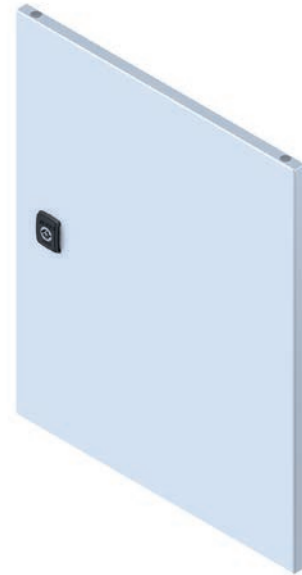
**Description:** Complete standard door for MAS enclosures. It includes standard locking system.

**Material:** Mild steel.

**Finish:** RAL7035 structure powder coating.

**Pack quantity:** 1 piece with mounting accessories.

Enclosure dimensions		
H	W	Part No.
200	200	ADP02020R5
250	200	ADP02520R5
	250	ADP02525R5
300	250	ADP03025R5
	300	ADP03030R5
350	250	ADP03525R5
400	300	ADP04030R5
	400	ADP04040R5
	500	ADP04050R5
	600	ADP04060R5
500	300	ADP05030R5
	400	ADP05040R5
	500	ADP05050R5
600	400	ADP06040R5
	500	ADP06050R5
	600	ADP06060R5
	800	ADP06080R5
700	500	ADP07050R5
800	400	ADP08040R5
	600	ADP08060R5
	800	ADP08080R5
1000	600	ADP10060R5
	800	ADP10080R5
1200	600	ADP12060R5
	800	ADP12080R5



## Wall Mounted Enclosures Replacement parts

# 01

Wall Mounted Enclosures

### MAD standard door | ADP

**Description:** Complete standard door for MAD enclosures. It includes standard locking system.

**Material:** Mild steel.

**Finish:** RAL7035 structure powder coating.

**Pack quantity:** 1 piece with mounting accessories.

Enclosure dimensions		
H	W	Part No.
<b>Right door</b>		
600	800	ADP06080RR5
800	1200	ADP08012RR5
1000	1000	ADP10010RR5
1200	1000	ADP12010RR5
1400	1000	ADP14010RR5
<b>Left door</b>		
600	800	ADP06080LR5
800	1200	ADP08012LR5
1000	1000	ADP10010LR5
1200	1000	ADP12010LR5
1400	1000	ADP14010LR5



### MAP standard door | ADP

**Description:** Complete standard door for MAP enclosures. It includes standard locking system.

**Material:** Mild steel.

**Finish:** RAL7035 structure powder coating.

**Pack quantity:** 1 piece with mounting accessories.

Enclosure dimensions		
H	W	Part No.
300	600	ADP03060R5
	800	ADP03080R5
	1000	ADP03010R5
	1200	ADP03012R5





## Wall Mounted Enclosures Replacement parts

### ASR standard door | ADPS

**Description:** Complete standard door for ASR enclosures. It includes standard locking system.

**Material:** AISI 304L | AISI 316L stainless steel.

**Pack quantity:** 1 piece with mounting accessories.

Enclosure dimensions			
H	W	Part No.	Part No.
180	240	ADPS01824	ADPS01824-316
240	240	ADPS02424	ADPS02424-316
	360	ADPS02436	ADPS02436-316
300	200	ADPS03020	ADPS03020-316
360	240	ADPS03624	ADPS03624-316
400	300	ADPS04030	ADPS04030-316
	400	ADPS04040	ADPS04040-316
	600	ADPS04060	ADPS04060-316
500	400	ADPS05040	ADPS05040-316
	500	ADPS05050	ADPS05050-316
600	400	ADPS06040	ADPS06040-316
	600	ADPS06060	ADPS06060-316
	800	ADPS06080	ADPS06080-316
800	600	ADPS08060	ADPS08060-316
	800	ADPS08080	ADPS08080-316
1000	800	ADPS10080	ADPS10080-316
1200	800	ADPS12080	ADPS12080-316
1400	800	ADPS14080	ADPS14080-316



## Wall Mounted Enclosures Replacement parts

### AFS standard door | AFSD

**Description:** Complete standard door for AFS enclosures. It includes standard locking system.

**Material:** AISI 304L stainless steel. AISI 316L stainless steel available on request.

**Pack quantity:** 1 piece with mounting accessories.

Enclosure dimensions			
H	W	Part No.	Part No.
300	200	AFSD0302	AFSD0302-316*
400	300	AFSD0403	AFSD0403-316*
	400	AFSD0404	AFSD0404-316*
	600	AFSD0406	AFSD0406-316*
500	500	AFSD0505	AFSD0505-316*
600	400	AFSD0604	AFSD0604-316*
	600	AFSD0606	AFSD0606-316*
	800	AFSD0608	AFSD0608-316*
800	600	AFSD0806	AFSD0806-316*
	800	AFSD0808	AFSD0808-316*
1000	800	AFSD1008	AFSD1008-316*
1200	600	AFSD1206	AFSD1206-316*
	800	AFSD1208	AFSD1208-316*
1400	800	AFSD1408	AFSD1408-316*

\* Delivery times upon request



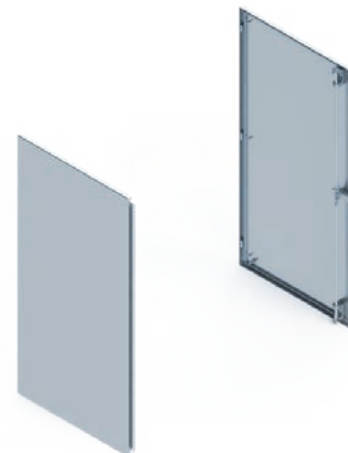
### ADR standard door | ADPS

**Description:** Complete standard door for ADR enclosures. It includes standard locking system.

**Material:** AISI 304L | AISI 316L stainless steel.

**Pack quantity:** 1 piece with mounting accessories.

Enclosure dimensions			
H	W	Part No.	Part No.
<b>Left door</b>			
1000	1000	ADPS10010L	ADPS10010L-316
	1200	ADPS10012L	ADPS10012L-316
<b>Right door</b>			
1000	1000	ADPS10010R	ADPS10010R-316
	1200	ADPS10012R	ADPS10012R-316



## Wall Mounted Enclosures Replacement parts

### Standard lock | ALL

**Description:** Standard lock for MAS and MAP enclosures.

**Pack quantity:** 1 piece.

Description	Part No.
RAL 5010 painted Zamak	ALL503

### ASR standard lock | ALLS

**Description:** Standard lock for ASR.

**Pack quantity:** 1 piece.

Description	Part No.
Chrome plated Zamak	ALLS503
Chrome plated	ALLS503-316

### AFS standard lock | ALLSR

**Description:** Standard lock for AFS enclosures.

**Pack quantity:** 1 piece.

Description	Part No.
Chrome plated	ALLSR503

### MAS standard espagnolette locking system | MASLS

**Description:** Espagnolette locking system for MAS enclosures. It includes the espagnolette system, standard lock cover and standard insert.

**Pack quantity:** 1 locking system with mounting accessories.

Enclosure dimensions	Part No.
Enclosure height 1000	MASLS1000
Enclosure height 1200	MASLS1200



## Wall Mounted Enclosures Replacement parts

# 01

Wall Mounted Enclosures

### MAD standard espagnolette locking system | MADLS

**Description:** Espagnolette locking system for MAD enclosures. It includes the espagnolette system, standard lock cover and standard insert.

**Pack quantity:** 1 locking system with mounting accessories.

Enclosure dimensions	Part No.
Enclosure height 600	MADLS0600
Enclosure height 800	MADLS0800
Enclosure height 1000	MADLS1000
Enclosure height 1200	MADLS1200
Enclosure height 1400	MADLS1400

### ASR standard espagnolette locking system | ASRLS

**Description:** Espagnolette locking system for ASR enclosures. It includes the espagnolette system, standard lock cover and standard insert.

**Pack quantity:** 1 locking system with mounting accessories.

Enclosure dimensions	Part No.
Enclosure height 1000	ASRLS1000
Enclosure height 1200	ASRLS1200
Enclosure height 1400	ASRLS1400

### ADR standard espagnolette locking system | ADRLS

**Description:** Espagnolette locking system for ADR enclosures. It includes the espagnolette system, standard lock cover and standard insert.

**Pack quantity:** 1 locking system with mounting accessories.

Enclosure dimensions	Part No.
Enclosure height 1000	ADRLS1000

### Standard key | LSK

**Description:** Key with Eldon logo. Easy to use design and provides a good grip.

**Pack quantity:** 1 piece.

Description	Part No.
Plastic double-bit 3mm	LSK502
Metallic double-bit 3mm	LSK503





## Wall Mounted Enclosures Replacement parts

### Standard hinges | MMSH

**Description:** Complete hinges to replace the standard one in the MultiMount range. It includes body hinge pin, and mounting material.

**Pack quantity:** 6 pieces with mounting accessories.

Description	Part No.
Zinc plated	MMSH06
Stainless steel	MMSH06SS



### Standard gland plate | AF

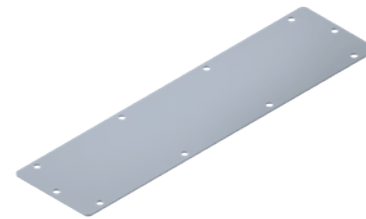
**Description:** Gland plate for the standard gland opening.

**Material:** 1.4mm mild steel.

**Finish:** RAL7035 structure powder coating.

**Pack quantity:** 1 piece.

Size	For opening	Part No.
0S	110 x 56	AF00SR5
1S	210 x 56	AF01SR5
2S	310 x 56	AF02SR5
3S	410 x 56	AF03SR5
1	210 x 96	AF01R5
2	310 x 96	AF02R5
3	410 x 96	AF03R5
4	510 x 96	AF04R5



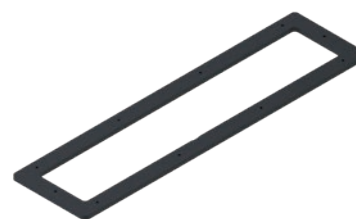
### Gland plate gasket | AG

**Description:** For standard gland plate opening.

**Material:** 4mm polyethylene foam.

**Pack quantity:** 1 piece.

Size	For opening	Part No.
0 S	110 x 56	AG00S
1 S	210 x 56	AG01S
2 S	310 x 56	AG02S
3 S	410 x 56	AG03S
1	210 x 96	AG01
2	310 x 96	AG02
3	410 x 96	AG03
4	510 x 96	AG04



## Wall Mounted Enclosures Replacement parts

# 01

Wall Mounted Enclosures

### Mounting plate | AMP

**Description:** Steel mounting plate for MultiMount enclosures. All sizes from 800mm and above are strengthened by folded edges.

**Material:** Galvanized steel.

**Pack quantity:** 1 piece.

Enclosure dimensions		Mounting plate dimensions		Part No.
H	W	h	w	
180	240	150	190	AMP01824
200	200	170	150	AMP02020
240	240	210	190	AMP02424
	360	210	310	AMP02436
250	200	220	150	AMP02520
	250	220	200	AMP02525
300	200	270	150	AMP03020
	250	270	200	AMP03025
	300	270	250	AMP03030
	600	270	550	AMP03060
	800	270	750	AMP03080
	1000	270	950	AMP03100
	1200	270	1150	AMP03120
350	250	320	200	AMP03525
360	240	330	190	AMP03624
400	300	370	250	AMP04030
	400	370	350	AMP04040
	500	370	450	AMP04050
	600	370	550	AMP04060
500	300	470	250	AMP05030
	400	470	350	AMP05040
	500	470	450	AMP05050
600	400	570	350	AMP06040
	500	570	450	AMP06050
	600	570	550	AMP06060
	800	570	750	AMP06080
700	500	670	450	AMP07050
800	400	770	350	AMP08040
	600	770	550	AMP08060
	800	770	750	AMP08080
	1200	770	1150	AMP08120
1000	600	970	550	AMP10060
	800	970	750	AMP10080
	1000	970	950	AMP10100
	1200	970	1150	AMP10120
1200	600	1170	550	AMP12060
	800	1170	750	AMP12080
	1000	1170	950	AMP12100
1400	800	1370	750	AMP14080
	1000	1370	950	AMP14100



## Wall Mounted Enclosures Replacement parts

### AFS mounting plate | AFSM

**Description:** Steel mounting plate for AFS enclosures. All sizes from 800mm and above are strengthened by folded edges.

**Material:** Galvanized steel.

**Pack quantity:** 1 piece.

Enclosure dimensions		Mounting plate dimension		Part No.
H	W	h	w	
300	200	275	150	AFSM0302
400	300	375	250	AFSM0403
	400	375	350	AFSM0404
	600	375	550	AFSM0406
500	500	475	450	AFSM0505
600	400	575	350	AFSM0604
	600	575	550	AFSM0606
	800	550	750	AFSM0608
800	600	750	550	AFSM0806
	800	750	750	AFSM0808
1000	800	950	750	AFSM1008
1200	600	1150	550	AFSM1206
	800	1150	750	AFSM1208
1400	800	1350	750	AFSM1408



### Door mounting profiles | MMDP

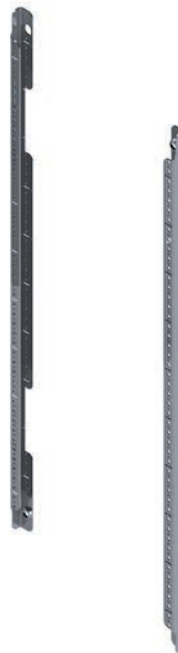
**Description:** To strengthen the door, mounted on the inside of the door on the M6 welded studs. Equipped with 10mm hole pattern.

**Material:** 1.2mm galvanized steel.

**Dimensions:** 15x14mm.

**Pack quantity:** 1 pair with mounting accessories.

For enclosure		Part No.
H		
400		MMDP040
500		MMDP050
600		MMDP060
700		MMDP070
800		MMDP080
1000		MMDP100
1200		MMDP120
1400		MMDP140



## Wall Mounted Enclosures Replacement parts

### MAP panel stay | MAPPS

**Description:** To secure the panel in the open position. Mounted directly on the panel profile studs.

**Pack quantity:** 1 piece with mounting accessories.

Description	Part No.
Zinc plated panel stay	MAPPS01



### Accessories kit | MMAK

**Description:** Mounting accessories (screws for gland plate, spacers for mounting plate, washers, nuts) needed for each type of MultiMount enclosure. They are packed in one plastic bag.

**Pack quantity:** 1 kit.

Description	H	W	Part No.
For MAS	200-350	200-250	MMAK01R5
	200-800	300-400	MMAK02R5
	300-800	500-600	MMAK03R5
	1000-1200	600	MMAK04R5
	600-800	800	MMAK05R5
	1000-1200	800	MMAK06R5
For MAD			MMAK11R5
For MAP	300	600	MMAK16R5
	300	800-1200	MMAK17R5
			MMAK21R5
For ASR			MMAK22R5
For AFS			MMAK23R5







## Wall Mounted Enclosures Spare parts

# 01

Wall Mounted Enclosures

### Spare parts

Single door enclosure   MAS	30
Double door enclosure   MAD	34
Panel   MAP	36
Single door enclosure   ASR	38
Double door enclosure   ADR	42
Single door enclosure with integrated hood   AFS	44

# Wall Mounted Enclosures | Spare parts

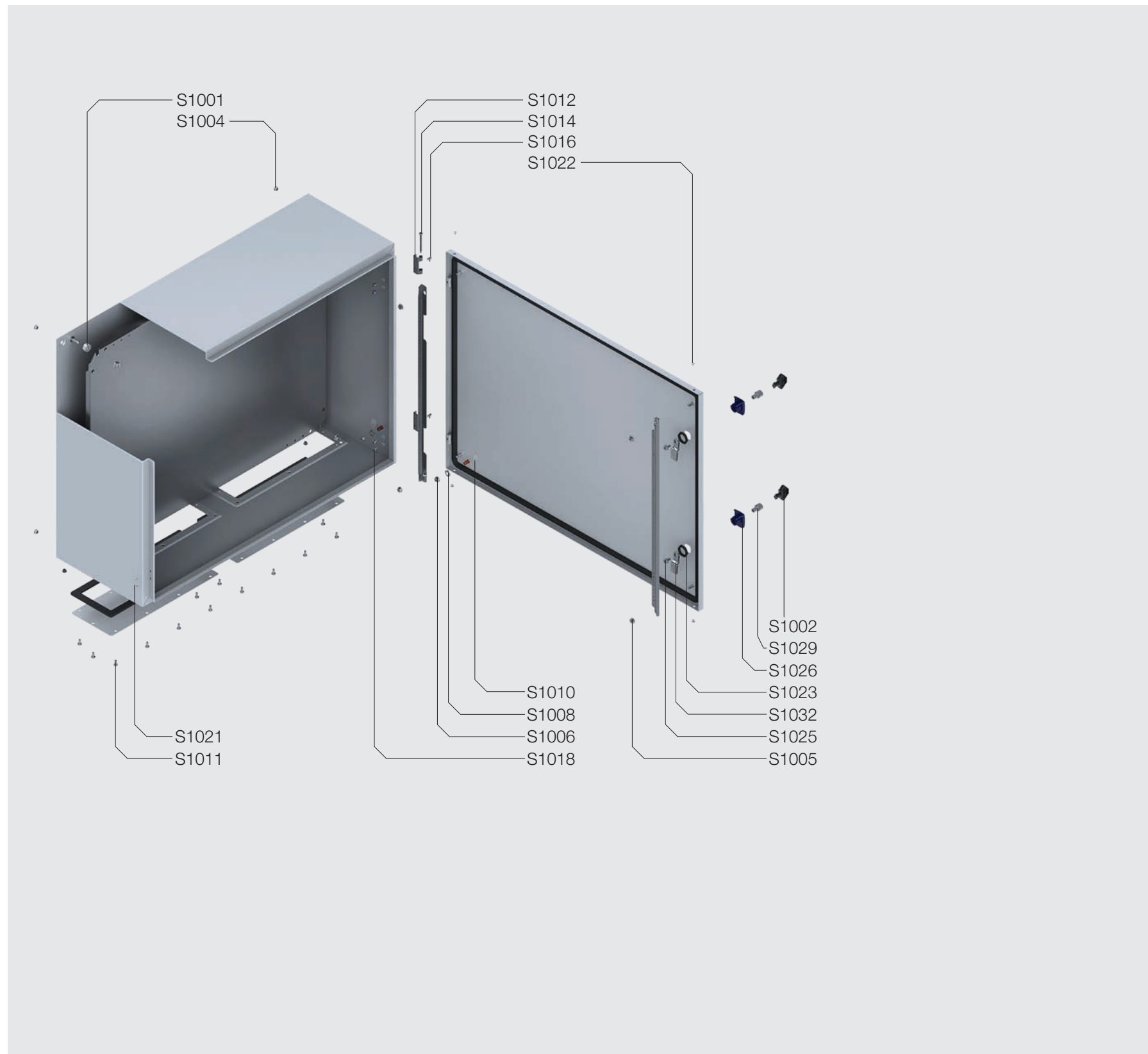
## Mild steel

### Single door enclosure | MAS

#### Simple lock

# 01

Wall Mounted Enclosures



Spare part	Pack quantity	Description
S1001	50	Mounting plate spacer
S1002	50	Plastic key
S1004	50	Rear hole plug
S1005	50	M6 Nut
S1006	50	M8 Nut
S1008	50	M8 Earthing washer
S1010	100	Earthing label
S1011	100	Gland plate screw
S1012	25	Hinge arm
S1014	25	Hinge pin
S1016	50	Hinge clip
S1018	50	M5x6 hinge screw with nylon washer
S1021	50	Hinge hole plug
S1022	50	Door plug
S1023	50	Plastic lock nut
S1025	50	Lock screw
S1026	25	Zamak lock body and spring
S1029	25	Zamak chrome plated lock insert
S1032	25	MAS / MAP / ASR lock latch

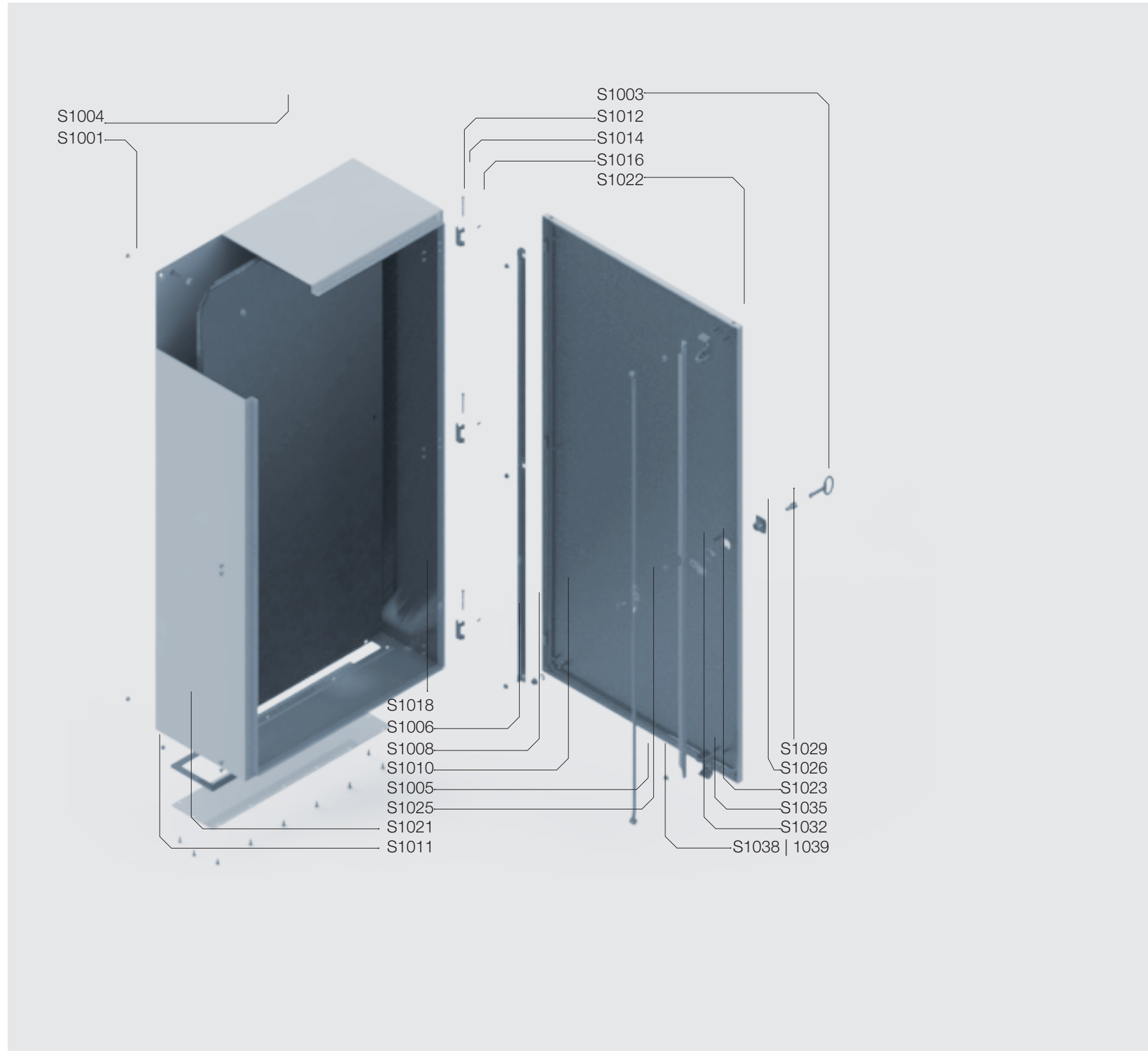


# Wall Mounted Enclosures | Spare parts

## Mild steel

### Single door enclosure | MAS

### 3 points espagnolette locking system

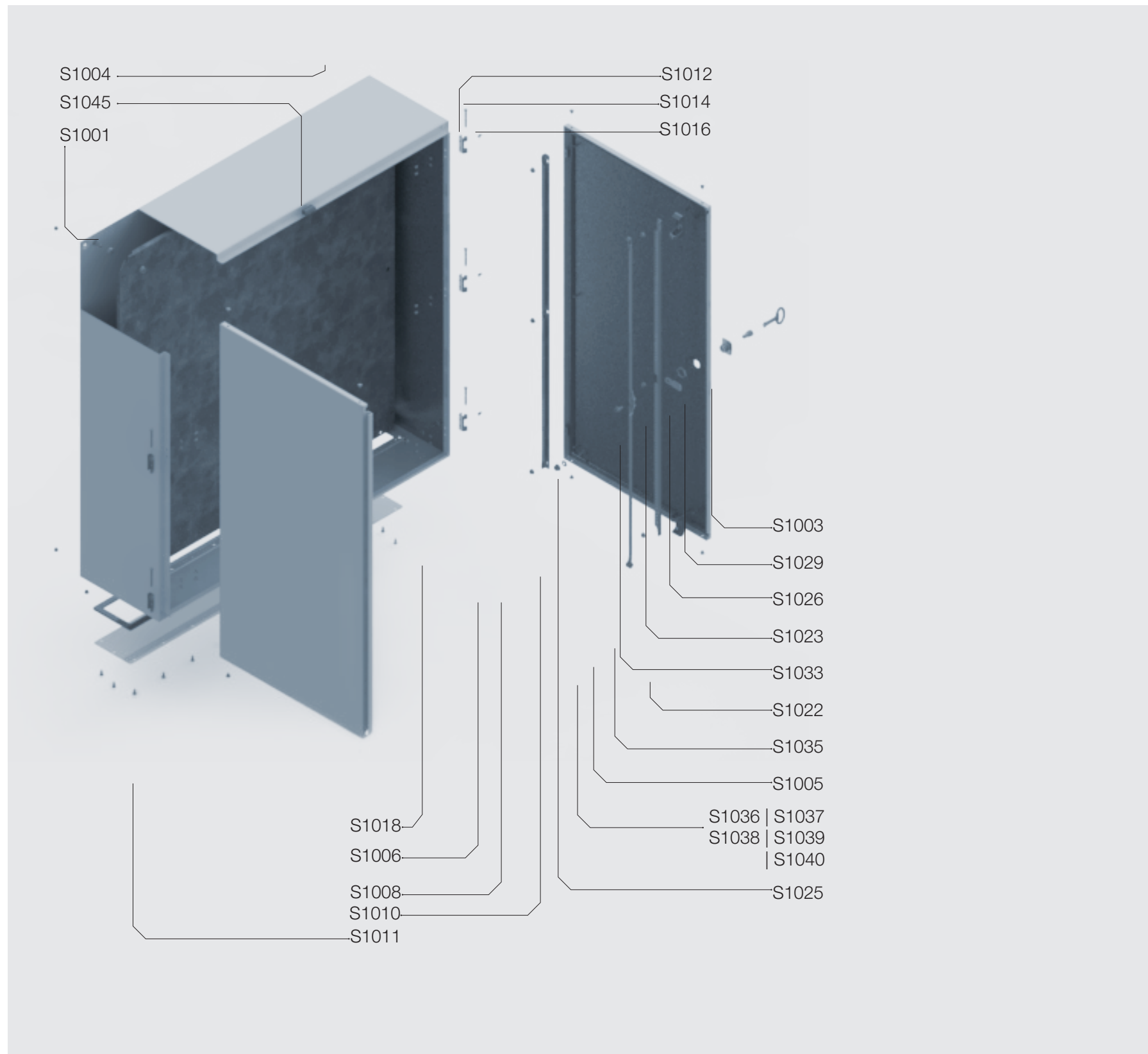


Spare part	Pack quantity	Description
S1001	50	Mounting plate spacer
S1003	50	Metallic key
S1004	50	Rear hole plug
S1005	50	M6 nut
S1006	50	M8 nut
S1008	50	M8 earthing washer
S1010	100	Earthing label
S1011	100	Gland plate screw
S1012	25	Hinge arm
S1014	25	Hinge pin
S1016	50	Hinge clip
S1018	50	M5x6 hinge screw with nylon washer
S1021	50	Hinge hole plug
S1022	50	Door plug
S1023	50	Plastic lock nut
S1025	50	Lock screw
S1026	25	Zamak lock body and spring
S1029	25	Zamak chrome plated lock insert
S1032	25	MAS / MAP / ASR lock latch
S1035	50	Plastic rod guide
S1038	5	Standard espagnolette locking system with wheels (1000mm high enclosures)
S1039	5	Standard espagnolette locking system with wheels (1200mm high enclosures)

# Wall Mounted Enclosures | Spare parts

## Mild steel

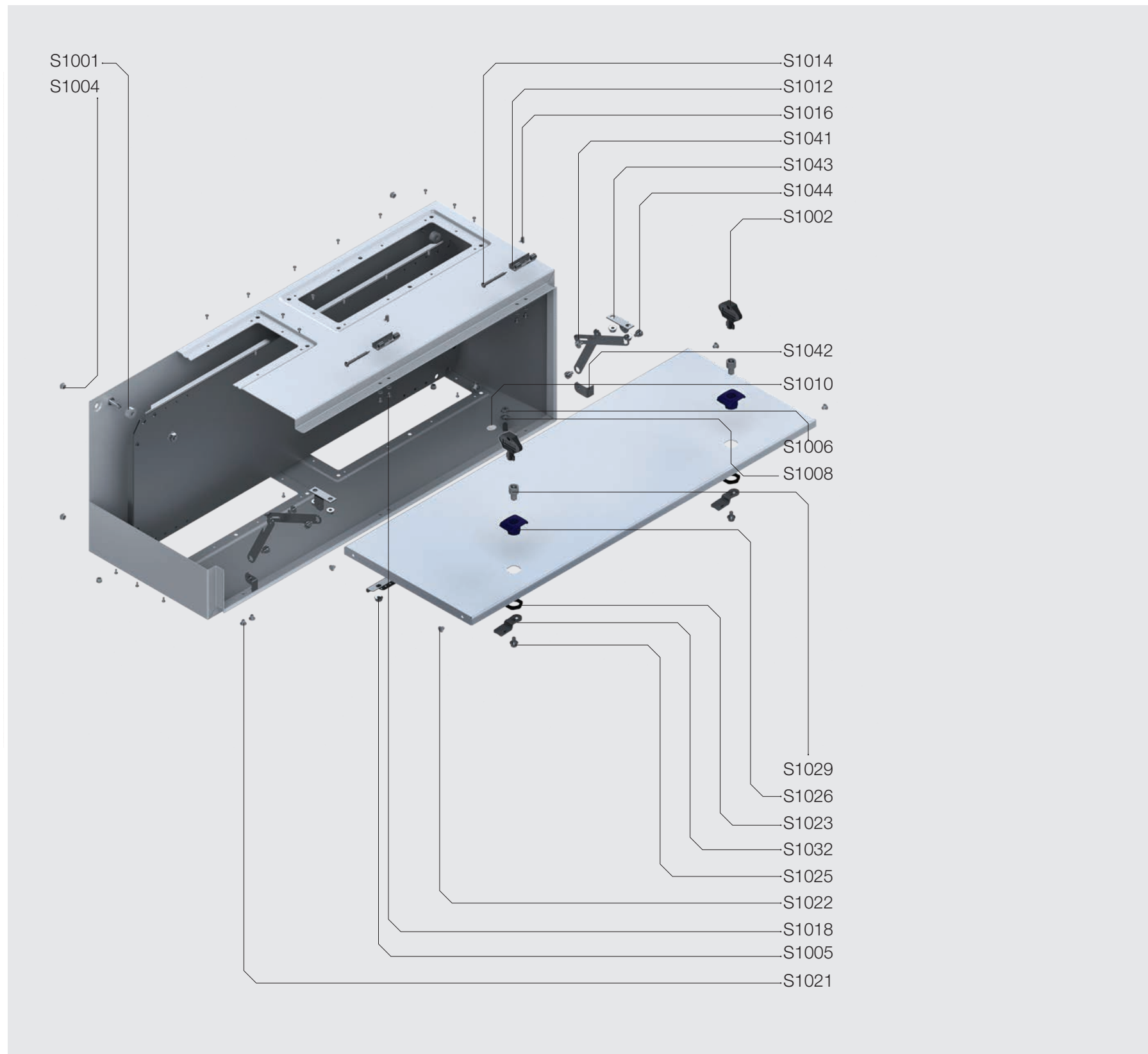
### Double door enclosure | MAD



Spare part	Pack quantity	Description
S1001	50	Mounting plate spacer
S1003	50	Metallic key
S1004	50	Rear hole plug
S1005	50	M6 nut
S1006	50	M8 nut
S1008	50	M8 earthing washer
S1010	100	Earthing label
S1011	100	Gland plate screw
S1012	25	Hinge arm
S1014	25	Hinge pin
S1016	50	Hinge clip
S1018	50	M5x6 Hinge screw with nylon washer
S1022	50	Door plug
S1023	50	Plastic lock nut
S1025	50	Lock screw
S1026	25	Zamak lock body and spring
S1029	25	Zamak chrome plated lock insert
S1033	25	MAD / ADR lock latch
S1035	50	Plastic rod guide
S1036	5	Standard espagnolette locking system locking system with wheels (600mm high enclosures)
S1037	5	Standard espagnolette locking system locking system with wheels (800mm high enclosures)
S1038	5	Standard espagnolette locking system locking system with wheels (1000mm high enclosures)
S1039	5	Standard espagnolette locking system locking system with wheels (1200mm high enclosures)
S1040	5	Standard espagnolette locking system locking system with wheels (1400mm high enclosures)
S1045	10	MAD / ADR Adhesive tape



**Wall Mounted Enclosures | Spare parts**  
**Mild steel**  
**Panel | MAP**



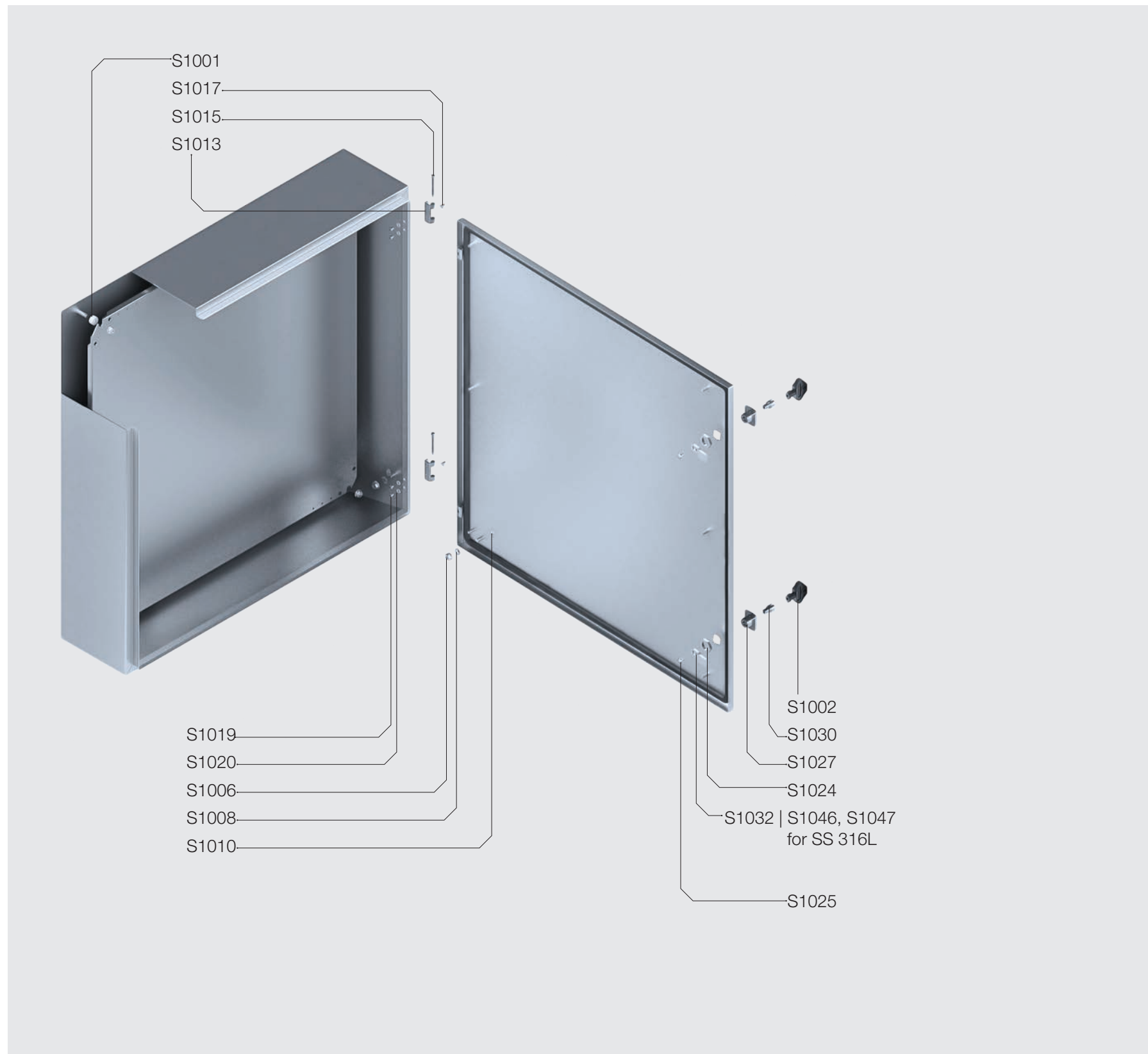
Spare part	Pack quantity	Description
S1001	50	Mounting plate spacer
S1002	50	Plastic key
S1004	50	Rear hole plug
S1005	50	M6 nut
S1006	50	M8 nut
S1008	50	M8 earthing washer
S1010	100	Earthing label
S1012	25	Hinge arm
S1014	25	Hinge pin
S1016	50	Hinge clip
S1018	50	M5x6 hinge screw with nylon washer
S1021	50	Hinge hole plug
S1022	50	Door plug
S1023	50	Plastic lock nut
S1025	50	Lock screw
S1026	25	Zamak lock body and spring
S1029	25	Zamak chrome plated lock insert
S1032	25	MAS / MAP / ASR lock latch
S1041	5	MAP door stop
S1042	5	MAP door stop - door bracket
S1043	5	MAP body - door stop bracket
S1044	10	MAP door stop fixing screw

# Wall Mounted Enclosures | Spare parts

## Stainless steel

### Single door enclosure | ASR

#### Simple lock



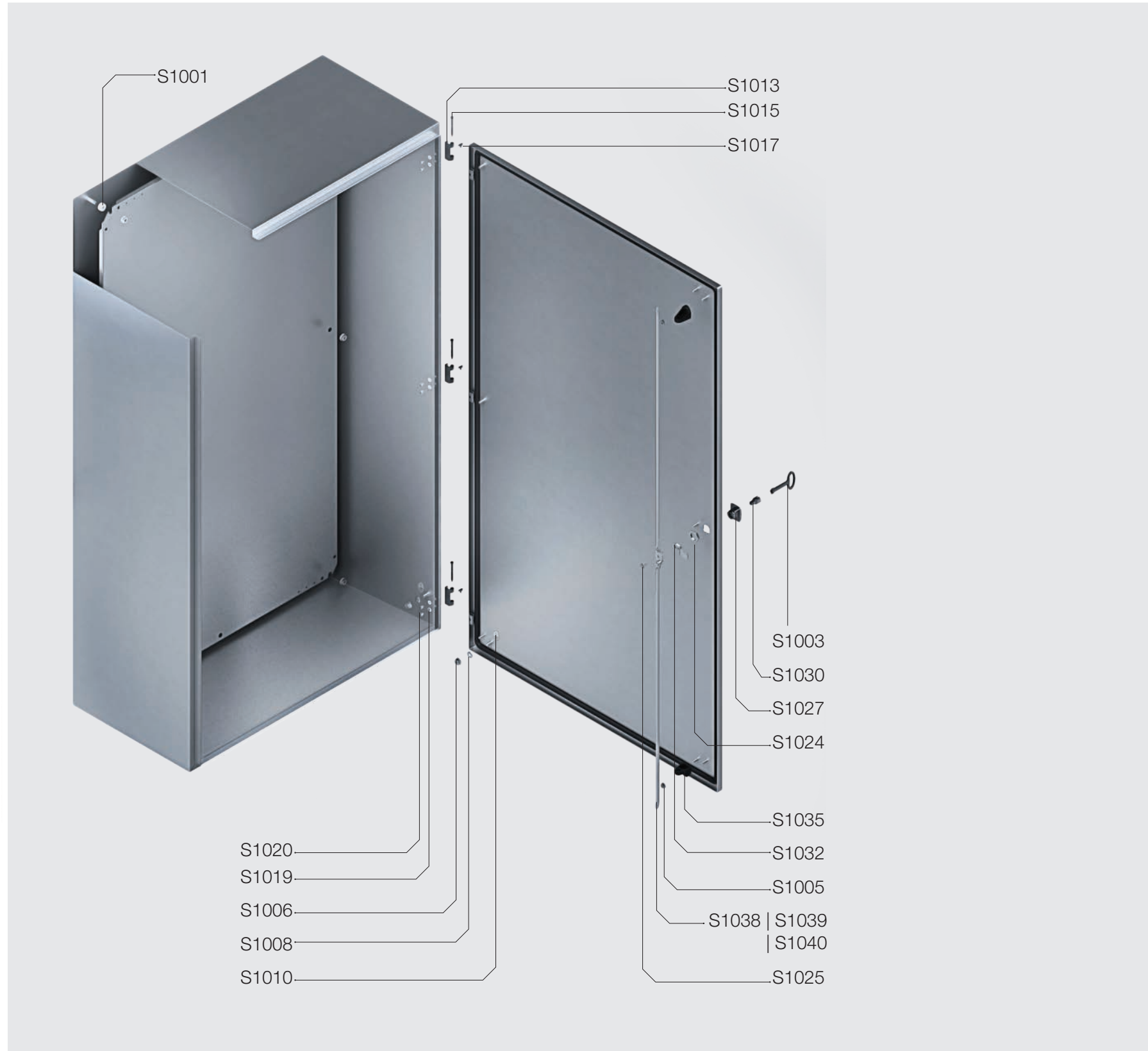
Spare part	Pack quantity	Description
S1001	50	Mounting plate spacer
S1002	50	Plastic key
S1006	50	M8 Nut
S1008	50	M8 Earthing washer
S1010	100	Earthing label
S1013	25	Hinge arm stainless steel
S1015	25	Hinge pin stainless steel
S1017	50	Hinge clip stainless steel
S1019	50	M5x6 Hinge screw stainless steel
S1020	50	M5 Hinge nylon washer
S1024	50	Metallic lock nut
S1025	50	Lock screw
S1027	25	ASR/ADR Chrome plated lock body with spring
S1030	25	ASR/ADR Chrome plated lock insert
S1032	25	MAS/MAP/ASR Lock latch
S1046	25	ASR-316 Lock latch
S1047	25	ASR-316 Slide shoe

# Wall Mounted Enclosures | Spare parts

## Stainless steel

### Single door enclosure | ASR

### 3 points espagnolette locking system



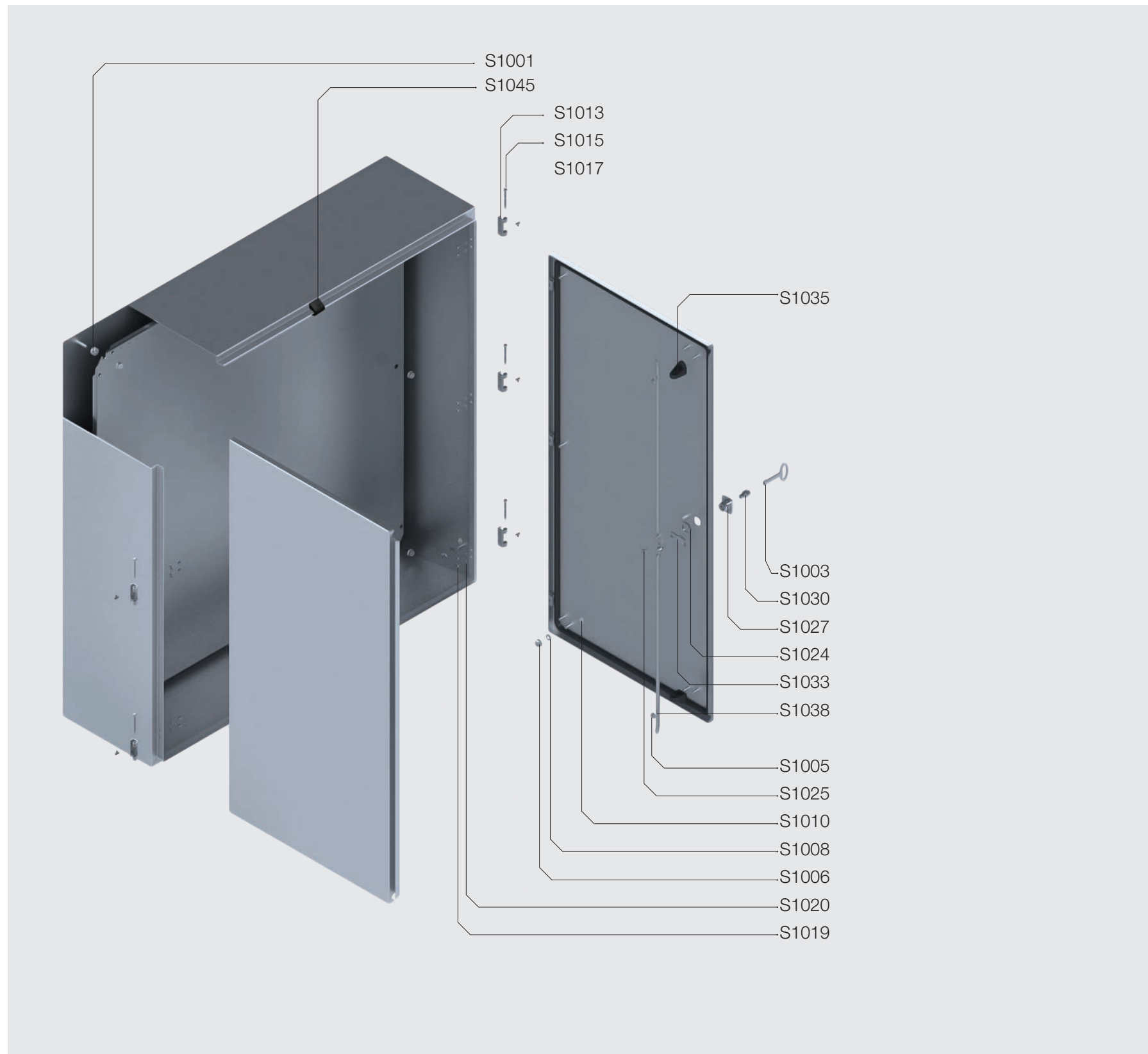
Spare part	Pack quantity	Description
S1001	50	Mounting plate spacer
S1003	50	Metallic key
S1005	50	M6 nut
S1006	50	M8 nut
S1008	50	M8 earthing washer
S1010	100	Earthing label
S1013	25	Hinge arm stainless steel
S1015	25	Hinge pin stainless steel
S1017	50	Hinge clip stainless steel
S1019	50	M5x6 hinge screw stainless steel
S1020	50	M5 hinge nylon washer
S1024	50	Metallic lock nut
S1025	50	Lock screw
S1027	25	ASR / ADR chrome plated lock body
S1030	25	ASR / ADR chrome plated lock insert
S1032	25	MAS / MAP / ASR lock latch
S1035	50	Plastic rod guide
S1038	5	Standard espagnolette locking system (1000mm high enclosures)
S1039	5	Standard espagnolette locking system (1200mm high enclosures)
S1040	5	Standard espagnolette locking system (1400mm high enclosures)



**Wall Mounted Enclosures | Spare parts**  
**Stainless steel**  
 Double door enclosure | ADR

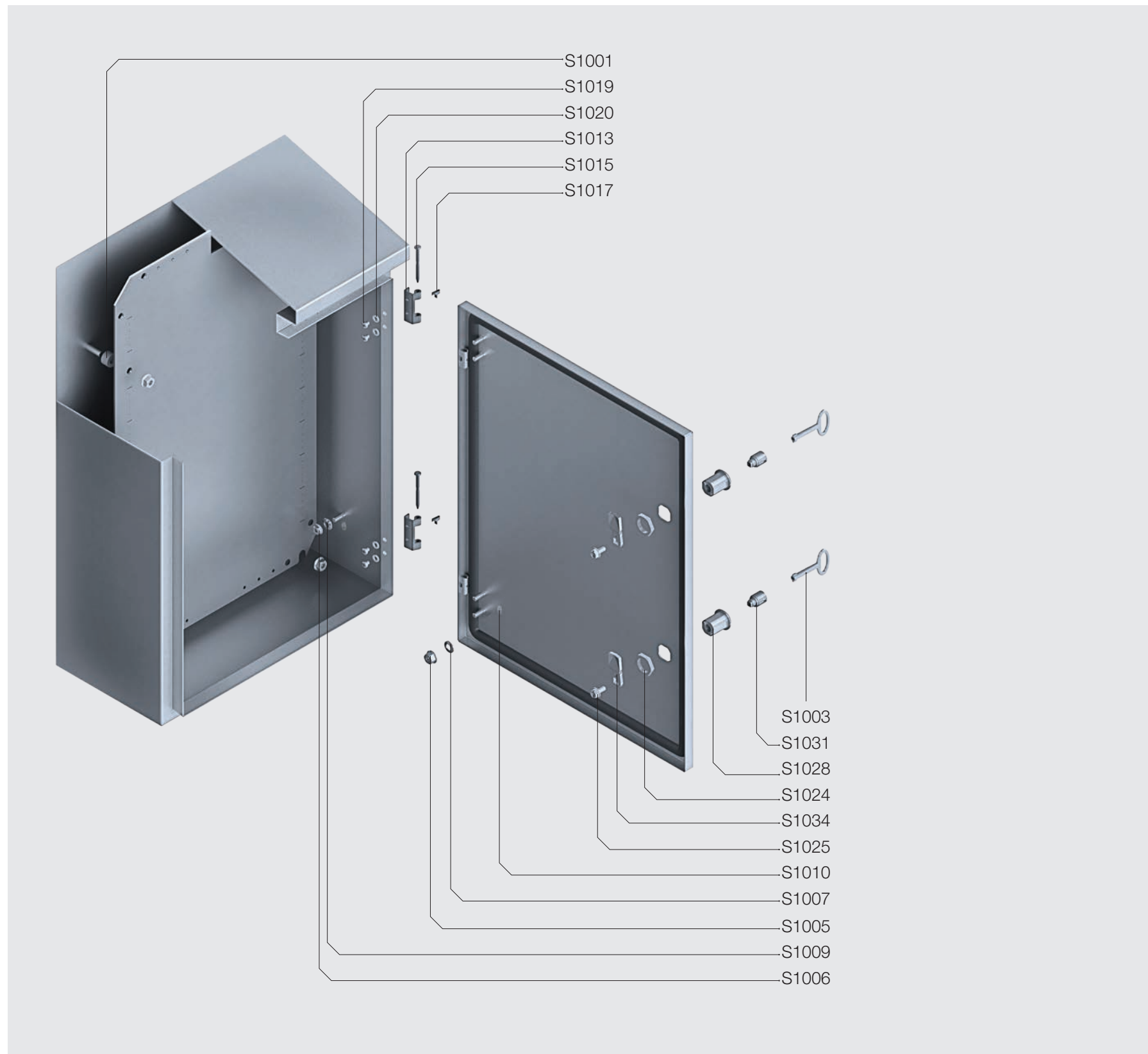
**01**

Wall Mounted Enclosures



Spare part	Pack quantity	Description
S1001	50	Mounting plate spacer
S1003	50	Metallic key
S1005	50	M6 nut
S1006	50	M8 nut
S1008	50	M8 earthing washer
S1010	100	Earthing label
S1013	25	Hinge arm stainless steel
S1015	25	Hinge pin stainless steel
S1017	50	Hinge clip stainless steel
S1019	50	M5x6 hinge screw stainless steel
S1020	50	M5 hinge nylon washer
S1024	50	Metallic lock nut
S1025	50	Lock screw
S1027	25	ASR / ADR chrome plated lock body
S1030	25	ASR / ADR chrome plated lock insert
S1033	25	MAD / ADR lock latch
S1035	50	Plastic rod guide
S1038	5	Standard espagnolette locking system (1000mm high enclosures)
S1045	10	MAD / ADR adhesive tape

**Wall Mounted Enclosures | Spare parts**  
**Stainless steel**  
 Single door enclosure with integrated hood | AFS



Spare part	Pack quantity	Description
S1001	50	Mounting plate spacer
S1003	50	Metallic key
S1005	50	M6 nut
S1006	50	M8 nut
S1007	50	M6 washer
S1009	50	M8 washer
S1010	100	Earthing label
S1013	25	Hinge arm stainless steel
S1015	25	Hinge pin stainless steel
S1017	50	Hinge clip stainless steel
S1019	50	M5x6 hinge screw stainless steel
S1020	50	M5 hinge nylon washer
S1024	50	Metallic lock nut
S1025	50	Lock screw
S1028	25	AFS chrome plated lock body
S1031	25	AFS chrome plated lock insert
S1034	25	AFS lock latch





## Floor Standing Enclosures

# 02

Floor Standing Enclosures

Floor standing enclosures set new standards when it comes to strength and ease of use. With a reliable design, this range of enclosures combines strength and practicality in one. Infinite mounting possibilities and a complete range of accessories means you can rely on this enclosures to get the job done.

Ergonomic and strongly designed, it offers suitable protection against many adverse conditions and theft and quickens installation, offering multiple mounting options.

### Floor Standing Enclosures

#### Overview

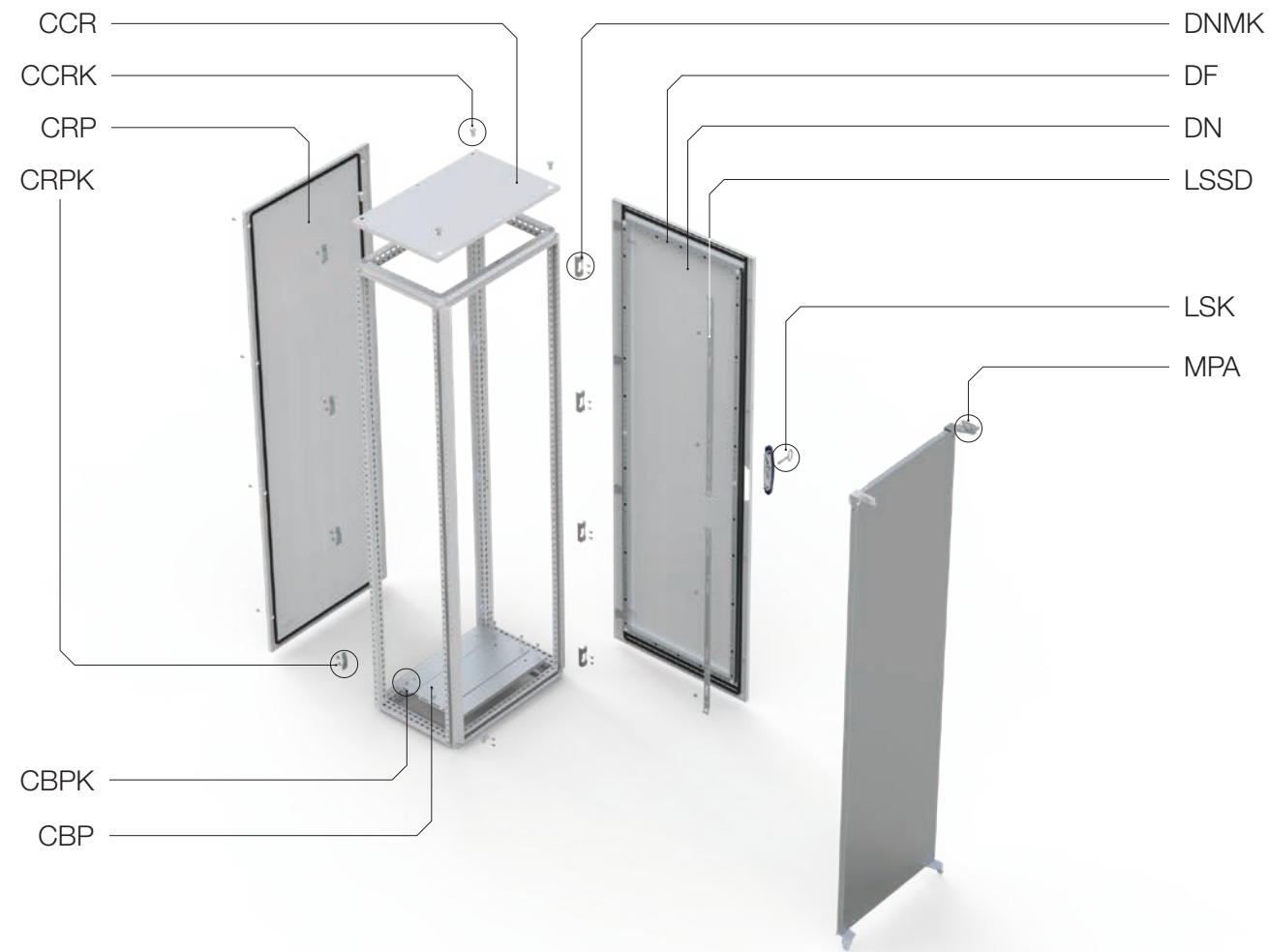
Mild steel	Single door enclosure, combinable version   MCS	48
	Double door enclosure, combinable version   MCD	49
	IP protected ICT rack   MCI	50
	Industrial computer enclosure   MCM	51
Stainless steel	Single door enclosure, compact version   MKS	52
	Double door enclosure, compact version   MKD	53
	Single door enclosure, combinable version   MCSS	54
	Double door enclosure, combinable version   MCDS	55
	Single door enclosure, compact version   EKSS	56
	Double door enclosure, compact version   EKDS	57
<b>Replacement parts</b>		<b>59</b>
<b>Spare parts</b>		<b>77</b>



# Floor Standing Enclosures

## Mild steel

Single door enclosure, combinable version | MCS



Replacement parts	Description	Page No.
DN	Plain door	60
LSSD	Locking system	63
DF	Door frame	65
DNMK	Door mounting kit	66
LSK	Key	66
CCR	Roof plate	67
CRP	Rear panel	68
CCRK	Roof mounting kit	69
CRPK	Rear panel mounting kit	69
MPA	Mounting plate brackets	70
CBP	Bottom plate	71
CBPK	Bottom plate mounting kit	72

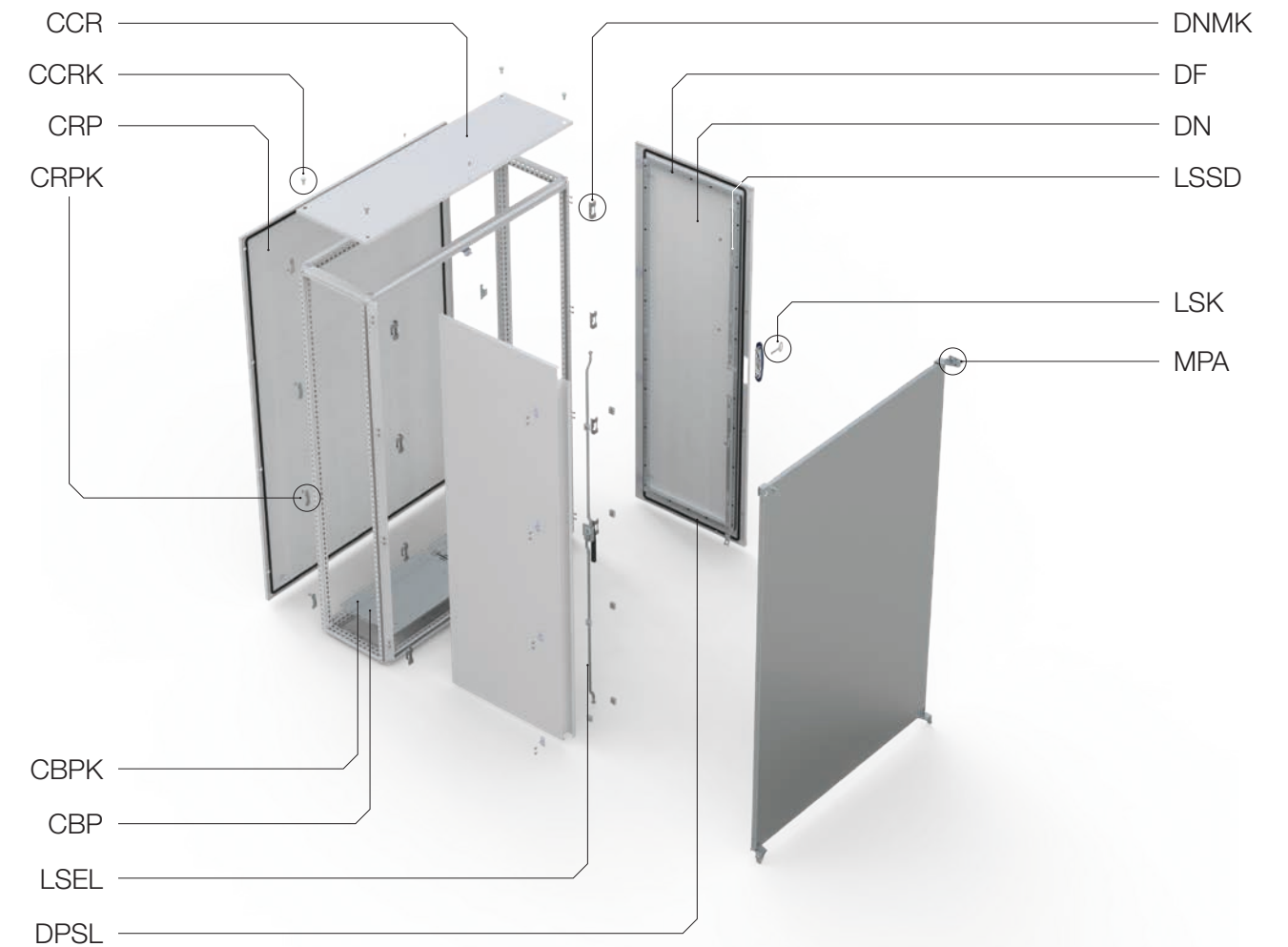
# 02

Floor Standing Enclosures

# Floor Standing Enclosures

## Mild steel

Double door enclosure, combinable version | MCD

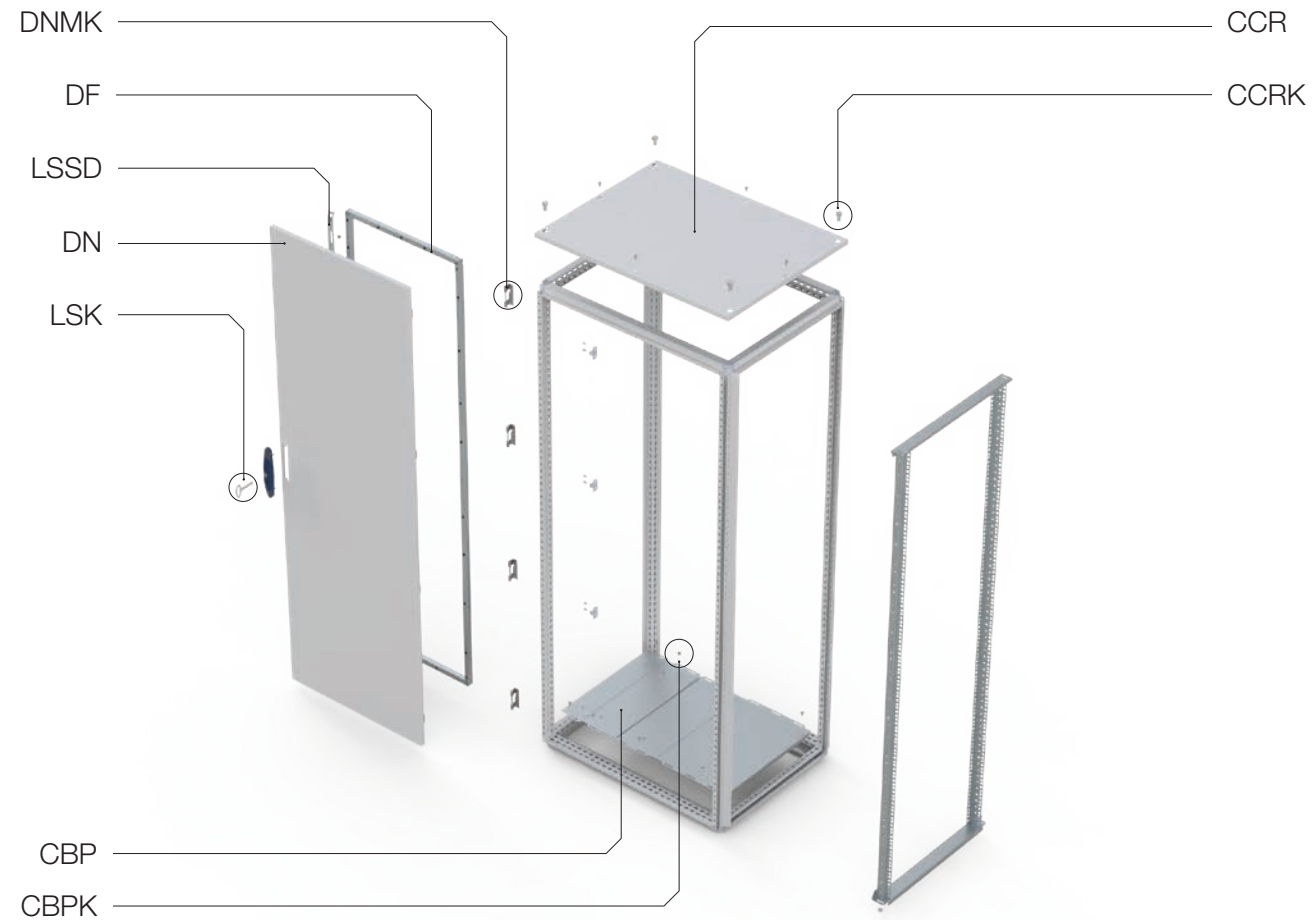


Replacement parts	Description	Page No.
DN	Plain door	60
LSSD	Locking system	63
LSEL	Left door locking system	63
DF	Door frame	65
DNMK	Door mounting kit	66
LSK	Key	66
CCR	Roof plate	67
CRP	Rear panel	68
CCRK	Roof mounting kit	69
CRPK	Rear panel mounting kit	69
MPA	Mounting plate brackets	70
dpsl	Door plastic support	70
CBP	Bottom plate	71
CBPK	Bottom plate mounting kit	72

# Floor Standing Enclosures

## Mild steel

IP protected ICT rack | MCI

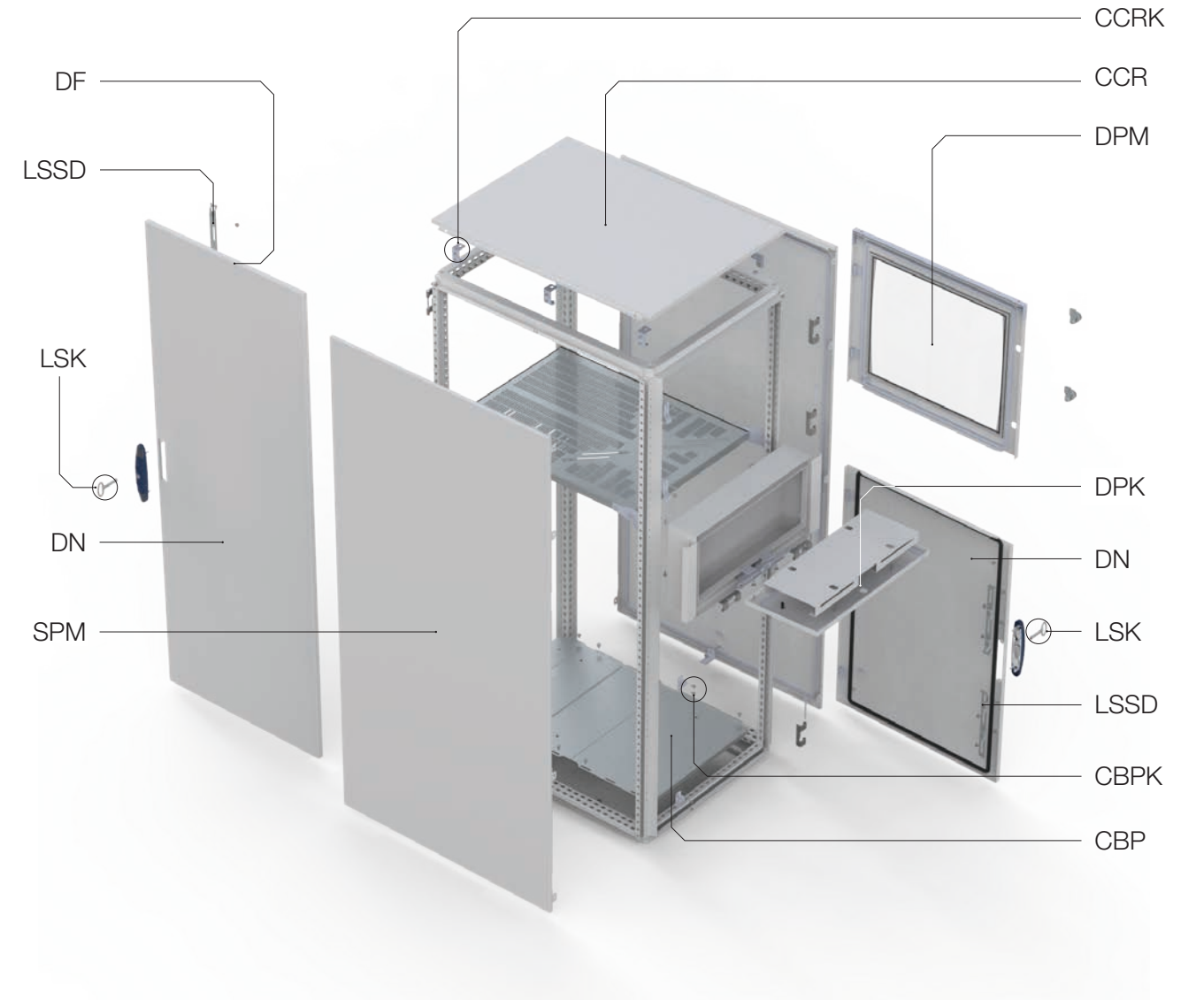


Replacement parts	Description	Page No.
DN	Plain door	60
LSSD	Locking system	63
DF	Door frame	65
DNMK	Door mounting kit	66
LSK	Key	66
CCR	Roof plate	67
CCRK	Roof mounting kit	69
CBP	Bottom plate	71
CBPK	Bottom plate mounting kit	72

# Floor Standing Enclosures

## Mild steel

Industrial computer enclosure | MCM



Replacement parts	Description	Page No.
DN	Plain door	60
LSSD	MCM espagnolette bottom door	63
LSSD	MCM espagnolette back door	63
DF	Door frame	65
LSK	Key	66
CCR	Roof plate MCM	67
CCRK	Roof mounting kit	69
SPM	Side panel MCM	70
CBP	Bottom plate	71
CBPK	Bottom plate mounting kit	72
DPM	MCM monitor door	73
DPK	Keyboard panel	74

# Floor Standing Enclosures

## Mild steel

Single door enclosure, compact version | MKS

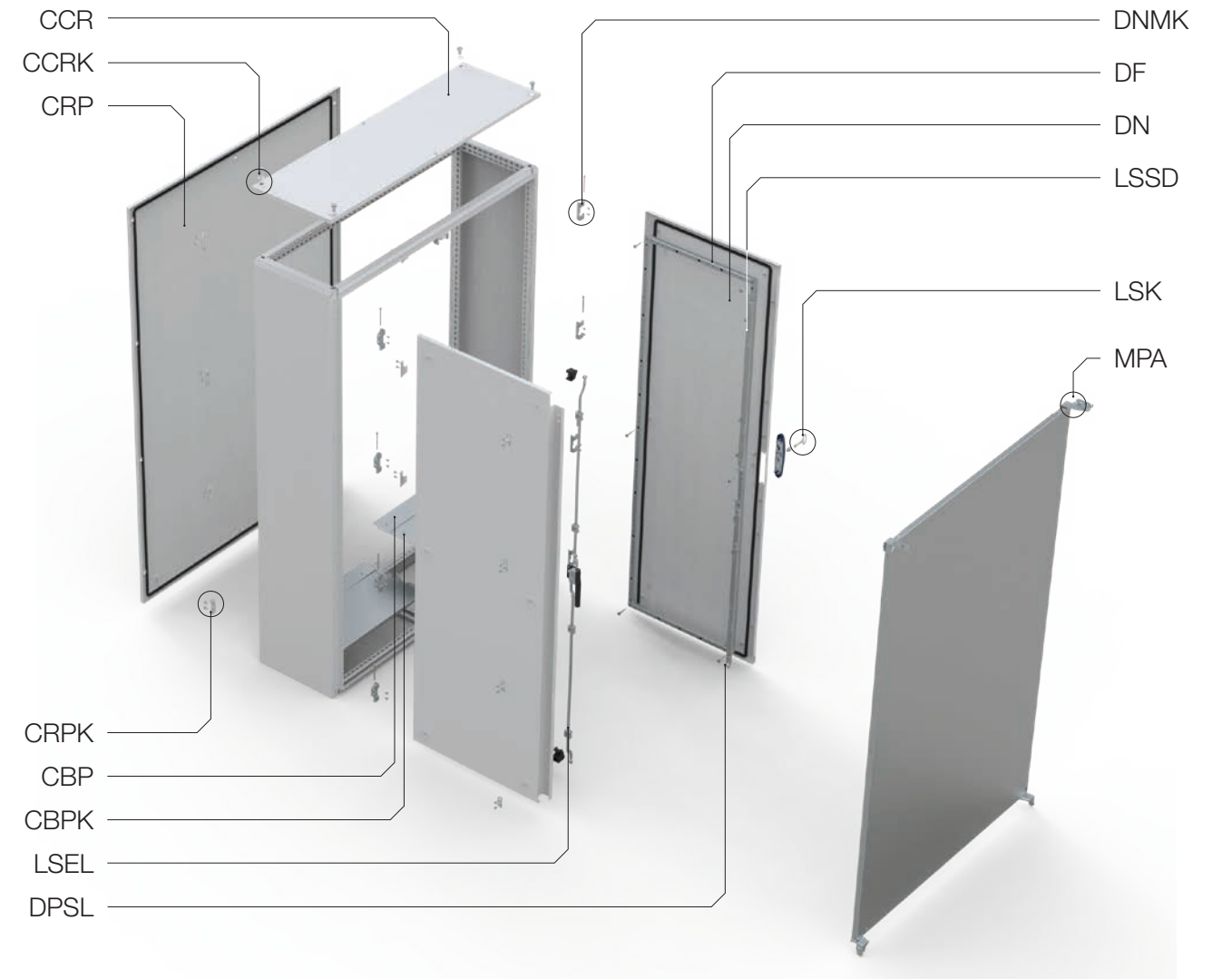


Replacement parts	Description	Page No.
DN	Plain door	60
LSSD	Locking system	63
DF	Door frame	65
DNMK	Door mounting kit	66
LSK	Key	66
CCR	Roof plate	67
CRP	Rear panel	68
CCRK	Roof mounting kit	69
CRPK	Rear panel mounting kit	69
MPA	Mounting plate brackets	70
CBP	Bottom plate	71
CBPK	Bottom plate mounting kit	72

# Floor Standing Enclosures

## Mild steel

Double door enclosure, compact version | MKD

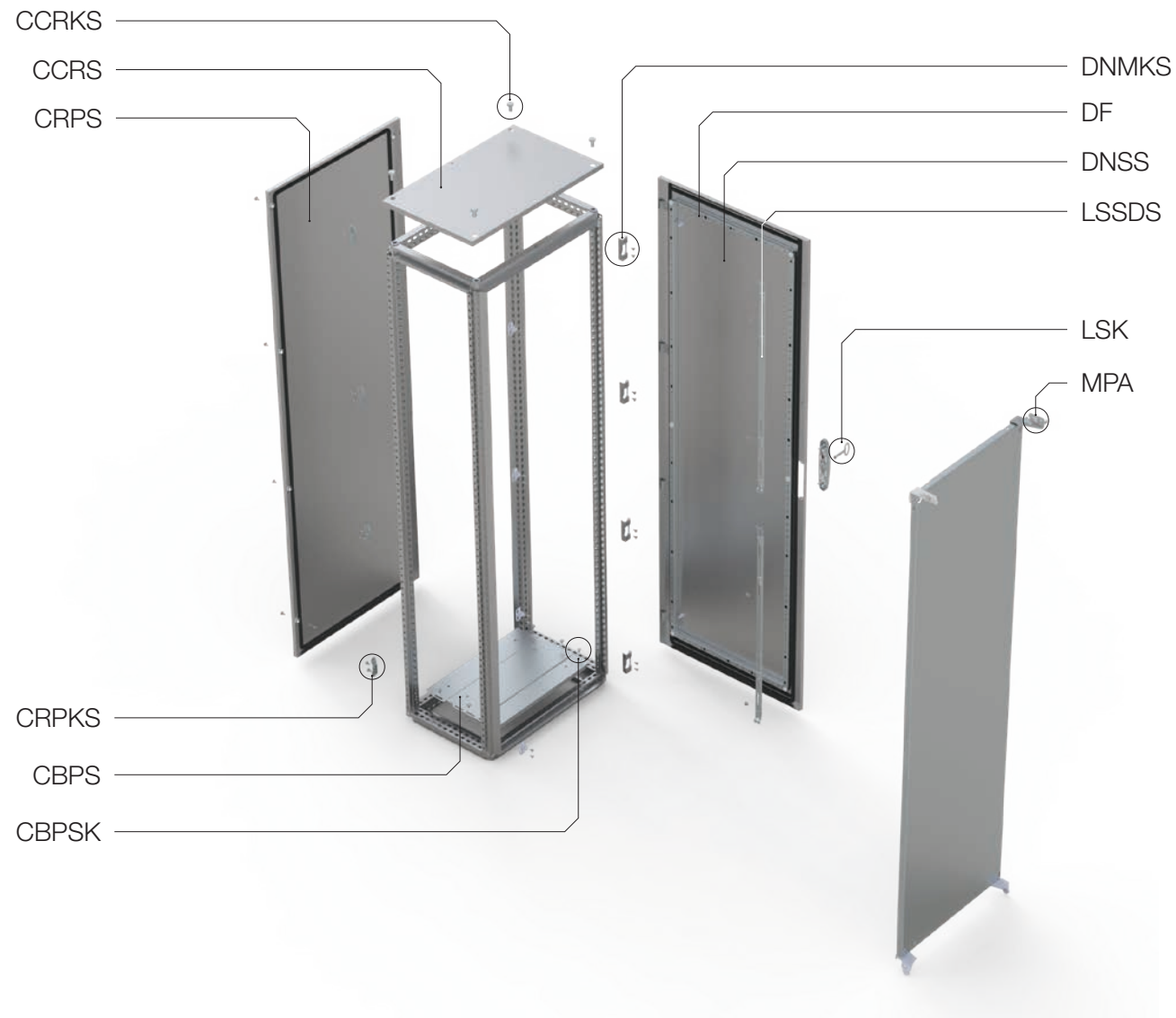


Replacement parts	Description	Page No.
DN	Plain door	60
LSSD	Locking system	63
LSEL	Left door locking system	63
DF	Door frame	65
DNMK	Door mounting kit	66
LSK	Key	66
CCR	Roof plate	67
CRP	Rear panel	68
CCRK	Roof mounting kit	69
CRPK	Rear panel mounting kit	69
MPA	Mounting plate brackets	70
DPSL	Door plastic support	70
CBP	Bottom plate	71
CBPK	Bottom plate mounting kit	72



# Floor Standing Enclosures Stainless steel

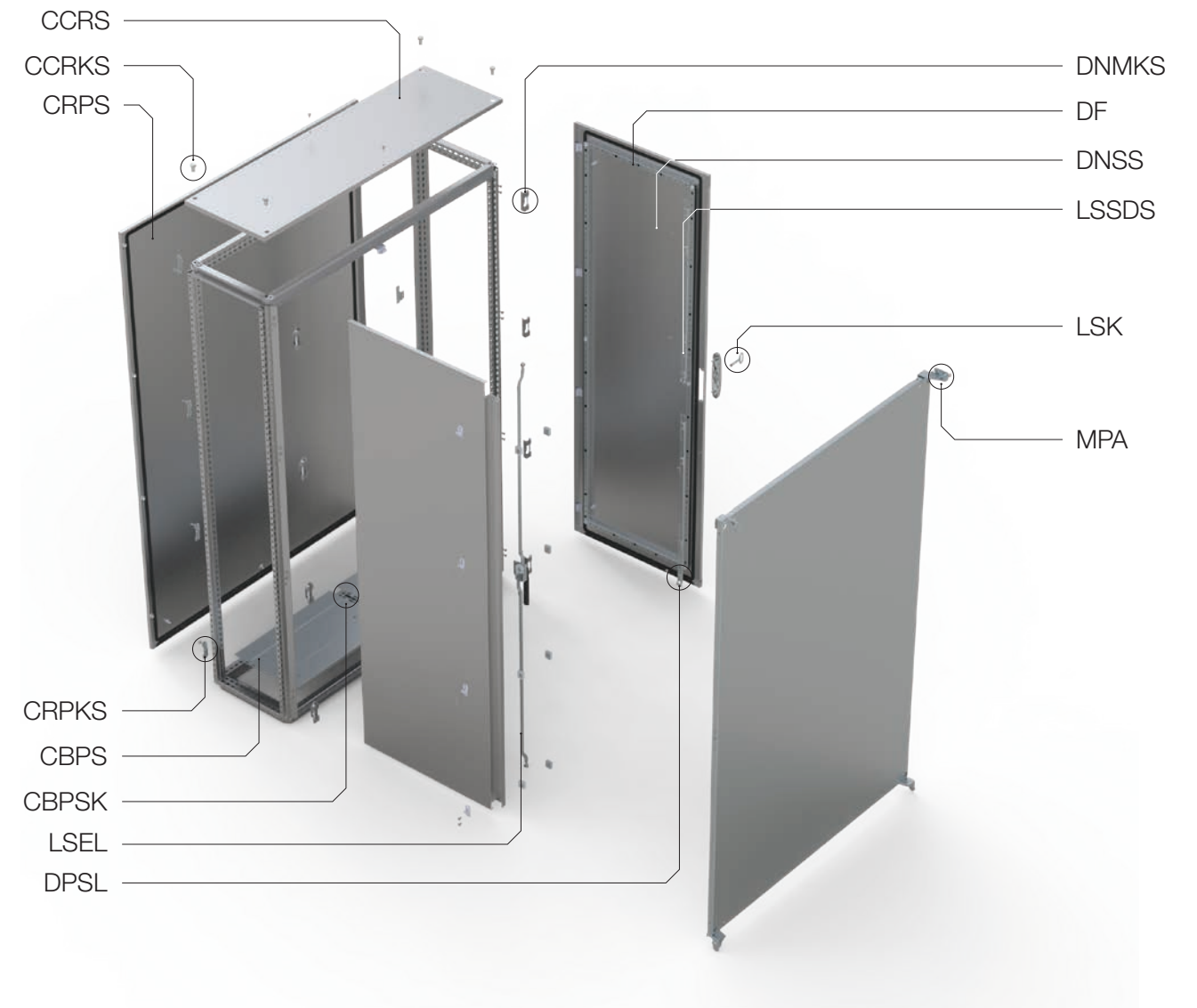
Single door enclosure, combinable version | MCSS



Replacement parts	Description	Page No.
DNSS	Stainless steel plain door	62
LSSDS	Locking system	64
DF	Door frame	65
DNMKS	Door mounting kit	66
LSK	Key	66
CCRS	Roof plate	67
CRPS	Rear panel	68
CCRKS	Roof mounting kit	69
CRPKS	Rear panel mounting kit	69
MPA	Mounting plate brackets	70
CBPS	Stainless steel bottom plate	72
CBPSK	Stainless steel bottom plate mounting kit	72

# Floor Standing Enclosures Stainless steel

Double door enclosure, combinable version | MCDS



Replacement parts	Description	Page No.
DNSS	Stainless steel plain door	62
LSEL	Left door locking system	63
LSSDS	Locking system	64
DF	Door frame	65
DNMKS	Door mounting kit	66
LSK	Key	66
CCRS	Roof plate	67
CRPS	Rear panel	68
CCRKS	Roof mounting kit	69
CRPKS	Rear panel mounting kit	69
MPA	Mounting plate brackets	70
DPSL	Door plastic support	70
CBPS	Stainless steel bottom plate	72
CBPSK	Stainless steel bottom plate mounting kit	72

# Floor Standing Enclosures Stainless steel

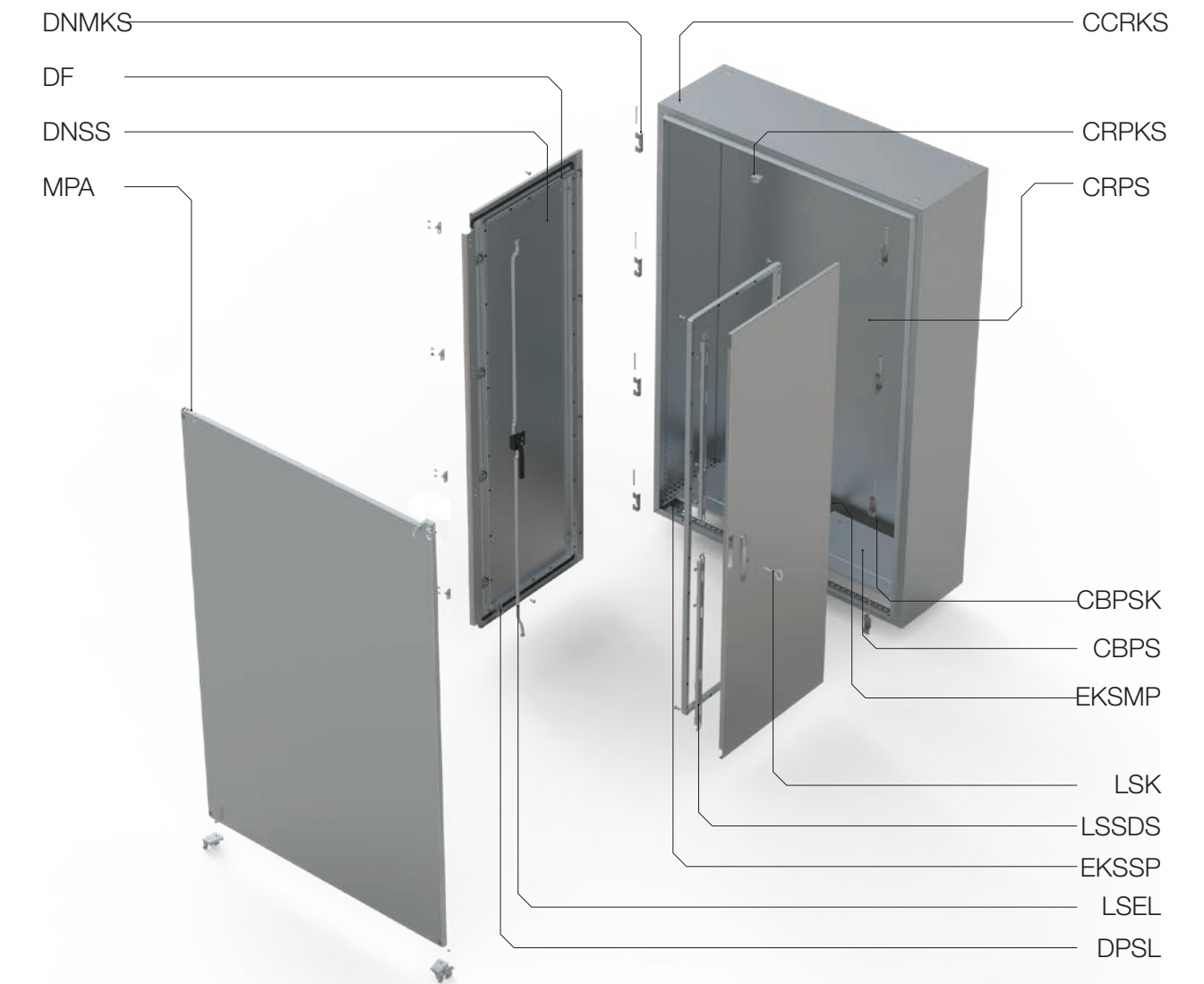
Single door enclosure, compact version | EKSS



Replacement parts	Description	Page No.
DNSS	Stainless steel plain door	62
LSSDS	Locking system	64
DF	Door frame	65
DNMKS	Door mounting kit	66
LSK	Key	66
CRPS	Stainless steel rear panel	68
CCRKS	Stainless steel roof mounting kit	69
CRPKS	Rear panel brackets	69
MPA	Mounting plate brackets	70
CBPS	Plain bottom plates	72
CBPSK	Stainless steel bottom plate mounting kit	72
EKSSP	Floor standing compact enclosure profiles	73

# Floor Standing Enclosures Stainless steel

Double door enclosure, compact version | EKDS



Replacement parts	Description	Page No.
DNSS	Stainless steel plain door	62
LSEL	Left door locking system	63
LSSDS	Locking system	64
DF	Door frame	65
DNMKS	Door mounting kit	66
LSK	Key	66
CRPS	Stainless steel rear panel	68
CCRKS	Roof mounting kit	69
CRPKS	Rear panel brackets	69
MPA	Mounting plate brackets	70
DPSL	Door plastic support	70
CBPS	Plain bottom plates	72
CBPSK	Stainless steel bottom plate mounting kit	72
EKSSP	Floor standing compact enclosure profiles	73
EKSM	Stainless steel floor standing compact enclosure middle profiles	73





## Floor Standing Enclosures Replacement parts

# 02

Floor Standing Enclosures

### Replacement parts

Plain door   DN	60
Compact plain door   DNK	61
Stainless steel plain door   DNSS	62
Floor standing locking system   LSSD	63
Floor standing locking system   LSSDS	64
Left door locking system   LSEL	63
Floor standing enclosures door frame   DF	65
Door mounting kit   DNMK	66
Stainless steel door mounting kit   DNMKs	66
Key   LSK	66
Roof plate   CCR	67
Stainless steel roof plate   CCRS	67
Rear panel   CRP	68
Stainless steel rear panel   CRPS	68
Roof mounting kit   CCRK	69
Stainless steel roof mounting kit   CCRKS	69
Rear panel mounting kit   CRPK	69
Stainless steel rear panel mounting kit   CRPKS	69
Side panel   SPM	70
Door plastic support   DPSL	70
Mounting plate brackets   MPA	70
Bottom plate   CBP	71
Stainless steel bottom plate   CBPS	72
Bottom plate screws   CBPK	72
Stainless steel bottom plate screws   CBPSK	72
Stainless steel floor standing compact enclosure sliding profiles   EKSSP	73
Stainless steel floor standing compact and combinable middle profiles   EKSMMP	73
Monitor door   DPM	73
Monitor door   DPMB	74
Hinged keyboard tray   DPK	74



## Floor Standing Enclosures Replacement parts

### Floor Standing plain door | DN

**Description:** Standard door equipped with double-bit 3mm lock system and door frame. Door accessory kit DNMK (hinges, rod catches) to be ordered separately. Allows all the options of the locking program and 180° hinges.

**Material:** 2 mm steel plate.

**Finish:** RAL 7035 structured powder coating.

**Pack quantity:** 1 piece.

**Maximum load:** 800 N.

**Mounting requirement:** Use hinge kit DMK01 (single door) or DMK02 (double door) if no door was fitted previously.

H	W	Part No.
<b>Plain door</b>		
1100	600	DN1106R5
1400	800	DN1408R5
1600	600	DN1606R5
	800	DN1608R5
1800	1000	DN1610R5
	500	DN1805R5
2000	600	DN1806R5
	800	DN1808R5
	1000	DN1810R5
	500	DN2005R5
2200	600	DN2006R5
	800	DN2008R5
	1000	DN2010R5
	800	DN2206R5
	800	DN2208R5

<b>Left door</b>		
1600	600	DN1606LR5
1800	400	DN1804LR5
	500	DN1805LR5
2000	600	DN1806LR5
	800	DN1808LR5
	400	DN2004LR5
	500	DN2005LR5
2200	600	DN2006LR5
	800	DN2008LR5
	500	DN2205LR5
	600	DN2206LR5

<b>Right door</b>		
1600	600	DN1606RR5
1800	400	DN1804RR5
	500	DN1805RR5
2000	600	DN1806RR5
	800	DN1808RR5
	400	DN2004RR5
	500	DN2005RR5
2200	600	DN2006RR5
	800	DN2008RR5
	500	DN2205RR5
	600	DN2206RR5



## Floor Standing Enclosures Replacement parts

### Compact plain door | DNK

**Description:** Standard door equipped with double-bit 3mm lock system and door frame. Door accessory kit DNMK (hinges, rod catches) to be ordered separately. Allows all the options of the locking program and 180° hinges.

**Material:** 2 mm steel plate.

**Finish:** RAL 7035 structured powder coating.

**Pack quantity:** 1 piece.

**Maximum load:** 800 N.

**Mounting requirement:** Use hinge kit DNMK01 (single door) or DNMK02K (double door) if no door was fitted previously.

H	W	Part No.
<b>Plain door</b>		
1200	600	DNK1206
	800	DNK1208
1400	600	DNK1406
	800	DNK1408
1600	600	DNK1606
	800	DNK1608
	1000	DNK1610
1800	600	DNK1806
	800	DNK1808
2000	1000	DNK1810
	600	DNK2006
	800	DNK2008
	1000	DNK2010

<b>Left door</b>		
1200	1200	DNK1206L
1400	1000	DNK1405L
	1200	DNK1406L
1600	1200	DNK1606L
	1200	DNK1806L
1800	1600	DNK1808L
	1200	DNK2006L
2000	1600	DNK2008L

<b>Right door</b>		
1200	1200	DNK1206R
1400	1000	DNK1405R
	1200	DNK1406R
1600	1200	DNK1606R
	1200	DNK1806R
1800	1600	DNK1808R
	1200	DNK2006R
2000	1600	DNK2008R



## Floor Standing Enclosures Replacement parts

### Floor standing stainless steel plain door | DNSS

**Description:** Standard door equipped with double-bit 3mm lock system and door frame. Door accessory kit DNPKS (hinges, rod catches) to be ordered separately. Allows all the options of the locking program and 180° hinges.

**Material:** 2 mm AISI 304L stainless steel plate / AISI 316L (on request).

**Finish:** 240s pre-grained stainless steel (0.5 microns average).

**Pack quantity:** 1 piece.

**Maximum load:** 800 N.

**Mounting requirement:** Use hinge kit DNPKS01 / DNPKS02 if no door was fitted previously.

H	W	Part No.
<b>Plain door</b>		
1400	800	DNSS1408
1600	600	DNSS1606
	800	DNSS1608
	1000	DNSS1610
1800	600	DNSS1806
	800	DNSS1808
	1000	DNSS1810
2000	600	DNSS2006
	800	DNSS2008
	1000	DNSS2010

H	W	Part No.
<b>Left door</b>		
1200	1200	DNSS1212L
1600	1200	DNSS1612L
1800	1000	DNSS1810L
	1200	DNSS1812L
	1600	DNSS1816L
2000	1200	DNSS2012L

H	W	Part No.
<b>Right door</b>		
1200	1200	DNSS1212R
1600	1200	DNSS1612R
1800	1000	DNSS1810R
	1200	DNSS1812R
	1600	DNSS1816R
2000	1200	DNSS2012R



## Floor Standing Enclosures Replacement parts

# 02

Floor Standing Enclosures

### Floor standing locking system | LSSD

**Description:** Complete espagnolette system for single and double door floor standing enclosures.

**Pack quantity:** Complete set for one door.

H	Part No.
1100	LSSD1100
1400	LSSD1400
1600	LSSD1600
1800	LSSD1800
2000	LSSD2000
2200	LSSD2200



### Left door espagnolette | LSEL

**Description:** Complete espagnolette system for locking the left door of double door floor standing enclosures.

**Pack quantity:** Complete set for one left door.

H	Part No.
1600	LSEL1600
1800	LSEL1800
2000	LSEL2000
2200	LSEL2200



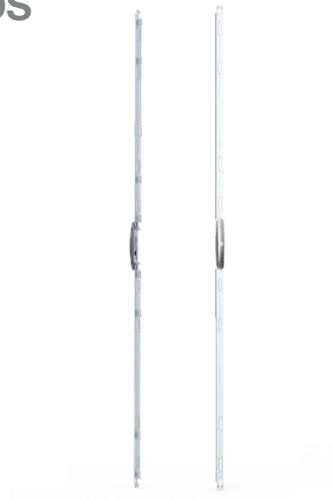
## Floor Standing Enclosures Replacement parts

### Floor standing stainless steel locking system LSSDS

**Description:** Complete espagnolette system for single and double door stainless steel enclosures.

**Pack quantity:** Complete set for one door.

H	Part No.
1200	LSSDS1200
1400	LSSDS1400
1600	LSSDS1600
1800	LSSDS1800
2000	LSSDS2000



## Floor Standing Enclosures Replacement parts

### Floor Standing door frame | DF

**Description:** Gives the door extra rigidity and is removable. The hole pattern in steps of 25mm allows mounting of several accessories.

**Pack quantity:** Complete set for one door.

H	W	Part No.
<b>Plain Door</b>		
1100	600	DF1106
1400	800	DF1408
1600	600	DF1606
	800	DF1608
	1000	DF1610
1800	500	DF1805
	600	DF1806
	800	DF1808
	1000	DF1810
2000	500	DF2005
	600	DF2006
	800	DF2008
	1000	DF2010
2200	600	DF2206
	800	DF2208
<b>Left door</b>		
1200	600	DF1206L
1400	500	DF1405L
	600	DF1406L
1600	600	DF1606L
1800	400	DF1804L
	500	DF1805L
	600	DF1806L
	800	DF1808L
2000	400	DF2004L
	500	DF2005L
	600	DF2006L
	800	DF2008L
2200	500	DF2205L
	600	DF2206L
<b>Right door</b>		
1200	600	DF1206R
1400	500	DF1405R
	600	DF1406R
1600	600	DF1606R
1800	400	DF1804R
	500	DF1805R
	600	DF1806R
	800	DF1808R
2000	400	DF2004R
	500	DF2005R
	600	DF2006R
	800	DF2008R
2200	500	DF2205R
	600	DF2206R





## Floor Standing Enclosures Replacement parts

### Door mounting kit | DNMK

**Description:** Required when fitting a door. Only needed when there was no door mounted previously.

**Pack quantity:** 1 complete kit with hinges, rod catches and mounting accessories.

Description	Part No.
For single door enclosures	DNMK01
For double door enclosures	DNMK02
For compact double door enclosures	DNMK02K



### Stainless steel door mounting kit | DNMKs

**Description:** Required when fitting a door. Only needed when there was no door mounted previously.

**Pack quantity:** 1 complete kit with hinges, rod catches and mounting accessories.

Description	Part No.
For single door enclosures	DMKS01
For double door enclosures	DMKS02



### Key | LSK

**Description:** Key with Eldon logo. Easy to use design and provides a good grip.

**Material:** Die cast alloy.

**Pack quantity:** 1 piece.

Description	Part No.
Plastic DIN3	LSK502
Metallic DIN 3mm	LSK503
Metallic DIN 5mm	LSK505
Metallic Square 7mm	LSK523
Metallic Square 8mm	LSK524
Metallic Triangle 7mm	LSK526
Metallic Triangle 8mm	LSK527



## Floor Standing Enclosures Replacement parts

# 02

Floor Standing Enclosures

### Roof plate | CCR

**Description:** Standard roof plate to cover the top of the floor standing floor standing combinable range.

**Material:** 1.5mm steel plate.

**Finish:** RAL7035 structured powder coating.

**Pack quantity:** 1 piece without mounting accessories.

**Mounting requirement:** Standard roof plate for separate delivery. For mounting, add CCRKS

mounting kit.	W	D	Part No.
	400	400	CCR044R5
	500	500	CCR055R5
	600	400	CCR064R5
		500	CCR065R5
		600	CCR066R5
		800	CCR068R5
800	400	400	CCR084R5
		500	CCR085R5
		600	CCR086R5
		800	CCR088R5
1000	400	400	CCR104R5
		500	CCR105R5
		600	CCR106R5
		800	CCR108R5
1200	400	400	CCR124R5
		500	CCR125R5
		600	CCR126R5
		800	CCR128R5
1400	400	400	CCR144R5
1600	400	400	CCR164R5
		500	CCR165R5
		600	CCR166R5



### Stainless steel roof plate | CCRS

**Description:** Standard roof plate to cover the top of the floor standing Stainless steel enclosures range.

**Material:** 1.5mm AISI 304L stainless steel plate.

**Finish:** 2405 pre-grained stainless steel (0.5 microns average).

**Pack quantity:** 1 piece without mounting accessories.

**Mounting requirement:** Standard roof plate for separate delivery. For mounting, add CCRKS mounting kit.

W	D	Part No.
600	500	CCRS065
	600	CCRS066
800	500	CCRS085
	600	CCRS086
1000	500	CCRS105
	600	CCRS106
1200	500	CCRS125
	600	CCRS126



## Floor Standing Enclosures Replacement parts

### Rear panel | CRP

**Description:** Can be replaced by a plain or transparent door.

**Material:** 1.5mm steel plate.

**Delivery:** 1 rear panel.

H	W	Part No.
1100	600	CRP1106R5
1400	800	CRP1408R5
1600	600	CRP1606R5
	800	CRP1608R5
	1000	CRP1610R5
	1200	CRP1612R5
1800	600	CRP1806R5
	800	CRP1808R5
	1000	CRP1810R5
	1200	CRP1812R5
	1600	CRP1816R5
2000	400	CRP2004R5
	600	CRP2006R5
	800	CRP2008R5
	1000	CRP2010R5
	1200	CRP2012R5
	1600	CRP2016R5
2200	600	CRP2206R5
	800	CRP2208R5
	1000	CRP2210R5



### Stainless steel rear panel | CRPS

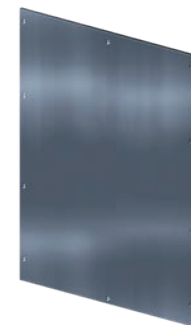
**Description:** Can be replaced by a plain or transparent door.

**Material:** 1.5mm AISI 304L stainless steel plate.

**Finish:** 2405 pre-grained stainless steel (0.5 microns average).

**Delivery:** 1 rear panel.

H	W	Part No.
1200	1200	CRPS1212
1400	800	CRPS1408
1600	600	CRPS1606
	800	CRPS1608
	1000	CRPS1610
	1200	CRPS1612
1800	600	CRPS1806
	800	CRPS1808
	1000	CRPS1810
	1200	CRPS1812
	1600	2 x CRPS1808
2000	600	CRPS2006
	800	CRPS2008
	1000	CRPS2010
	1200	CRPS2012
	1600	2 x CRP20008



## Floor Standing Enclosures Replacement parts

### Roof mounting kit | CCRK

**Description:** Standard mounting accessories for the CCR and CRG roof plates.

**Delivery:** 4 pieces M12x20, 4 pieces M6x12 and 4 pieces M12 plastic washers.

Part No.
CCRK08

### Stainless steel roof mounting kit | CCRKS

**Description:** Standard mounting accessories for the CCRS roof plates.

**Delivery:** 4 pieces M12x20, 4 pieces M6x12 and 4 pieces M12 plastic washers.

Part No.
CCRKS08

### Rear panel mounting kit | CRPK

**Description:** Standard mounting accessories for the back panel.

**Delivery:** 8 rear panel brackets, 16 pieces extrude-tite M6x12. EPDM sealing part.

W	Part No.
400	CRPK04
500	CRPK05
600	CRPK06
800	CRPK08
1200	CRPK12
1600	CRPK16

### Stainless steel rear panel mounting kit CRPKS

**Description:** Standard mounting accessories for the back panel.

**Delivery:** 8 rear panel brackets, 16 pieces extrude-tite M6x12. EPDM sealing part.

W	Part No.
600	CRPKS06
800	CRPKS08
1200	CRPKS12
1600	CRPKS16*

\* Includes vertical divider.

# 02

Floor Standing Enclosures



# Floor Standing Enclosures Replacement parts

## Side panel for MCM | SPM

**Description:** Easy one-man assembly. Sealed by an extruded, one piece polyurethane gasket and mounted with 8 screws. Can be replaced by the side door DS.

**Material:** 1.5mm steel plate.

**Finish:** RAL7035 structured powder coating.

**Pack quantity:** 2 panels with mounting accessories.

**Protection:** IP 56, NEMA 4, 12 & 13

W	D	Part No.
1600	600	SPM1606MCM
	800	SPM1608MCM



## Door plastic support | DPSSL

**Description:** Helps to centre the door in case of uneven floor, easier closing and positioning of a heavily equipped door (cooling units, etc). Mounted directly to the door frame on the bottom and top of the door. Highly recommended when fitting loads from 30kg on door.

**Delivery:** 2 plastic supports with mounting accessories.

Part No.
DPSSL01



## Mounting plate brackets | MPA

**Description:** To fix mounting plates to the furthest position in the rear of the enclosure, including adjustment brackets for depth adjustment in steps of 25mm. Brackets are needed when an extra mounting plate is required or when the enclosure is ordered without mounting plate (PE).

**Material:** 3mm zinc plated steel.

**Delivery:** 2 top brackets, 2 bottom sliding brackets and 2 adjustment brackets with mounting accessories.

Part No.
MPA06



# Floor Standing Enclosures Replacement parts

# 02

Floor Standing Enclosures

## Bottom plate | CBP

**Description:** Consist of three or four pieces for easy cable access. To achieve perfect sealing around the cables use the gasket kit BG01.

**Material:** Zinc plated steel.

**Pack quantity:** 1 kit of two part bottom plate.

W	D	Part No.
400	400	CBP044
	500	CBP045
	600	CBP046
	800	CBP048
500	500	CBP055
600	300	CBP063
	400	CBP064
	500	CBP065
	600	CBP066
	800	CBP068
800	300	CBP083
	400	CBP084
	500	CBP085
	600	CBP086
	800	CBP088
1000	400	CBP104
	500	CBP105
	600	CBP106
	800	CBP108
1200	300	CBP123
	400	CBP124
	500	CBP125
	600	CBP126
	800	CBP128
1600	400	CBP164
	500	CBP165
	600	CBP166





## Floor Standing Enclosures Replacement parts

### Stainless steel bottom plate | CBPS

**Description:** One-piece bottom plate with injected polyurethane gasket to ensure maximum sealing.

**Material:** 1.5mm AISI 304L stainless steel plate.

**Finish:** 2405 pre-grained stainless steel (0.5 microns average).

**Pack quantity:** 1 kit of one bottom plate (1200mm or two bottom plates)

W	D	Part No.
600	400	CBPS064
	500	CBPS065
	600	CBPS066
800	400	CBPS084
	500	CBPS085
	600	CBPS086
1000	400	CBPS104
	500	CBPS105
	600	CBPS106
1200	400	2 x CBPS064
	500	2 x CBPS065
	600	2 x CBPS066
1600	400	2 x CBPS084



### Bottom plate screws | CBPK

**Description:** Standard mounting accessories for the bottom plate.

**Pack quantity:** 8 bottom plate screws.

Part No.
CBPK08



### Stainless steel bottom plate screws CBPSK

**Description:** Standard mounting accessories for the stainless steel bottom plate.

**Pack quantity:** 6 bottom plate screws.

Part No.
CBPSK08



## Floor Standing Enclosures Replacement parts

### Stainless steel floor standing compact enclosure sliding profiles EKSSP

**Description:** Depth profiles for floor standing compact enclosures.

**Material:** 2 mm zinc plated steel.

**Pack quantity:** 1 profile with mounting accessories.

D	Location	Part No.
300	Top Right	EKSSP30TR
	Top Left	EKSSP30TL
	Bottom Right	EKSSP30BR
400	Bottom Left	EKSSP30BL
	Top Right	EKSSP40TR
	Top Left	EKSSP40TL
500	Bottom Right	EKSSP40BR
	Bottom Left	EKSSP40BL
	Top Right	EKSSP50TR
600	Top Left	EKSSP50TL
	Bottom Right	EKSSP50BR
600	Bottom Left	EKSSP50BL



### Stainless steel floor standing compact and combinable middle profiles EKSMMP

**Description:** Depth middle profiles for double door 1600mm wide floor standing compact enclosures.

**Material:** 2 mm zinc plated steel.

**Pack quantity:** 1 profile with mounting accessories.

D	Part No.
400	EKSMP04
500	EKSMP05
600	EKSMP06



### Monitor door | DPM

**Description:** Monitor door, mounted with two hinges, safety glass. Viewing area for 14"- 21" monitor.

**Pack quantity:** 1 complete monitor door.

Part No.
DPM0506



# Floor Standing Enclosures

## Replacement parts

### Monitor door | DPMB

**Description:** Mounted with two hinges per door, two point locking system.

**Pack quantity:** 1 complete door.

Part No.
DPMB0806

### Hinged keyboard tray | DPK

**Description:** Horizontal hinged keyboard tray with lateral sliding mouse pad (L.H. or R.H.). Equipped with panel stay. When the tray is folded out, the enclosure is sealed for dust ingress by a closed chamber.

**Material:** 1.75mm steel plate.

**Finish:** RAL 7035 structured powder coating.

**Pack quantity:** 1 door with hinges, lock, keyboard mounting support, mouse pad and mounting accessories.

**Sizes:** Max keyboard height 185mm, width 470mm, depth 50mm.

W	D	Part No.
250	600	DPK06R5







## Floor Standing Enclosures Spare parts

# 02

Floor Standing Enclosures

### Spare parts

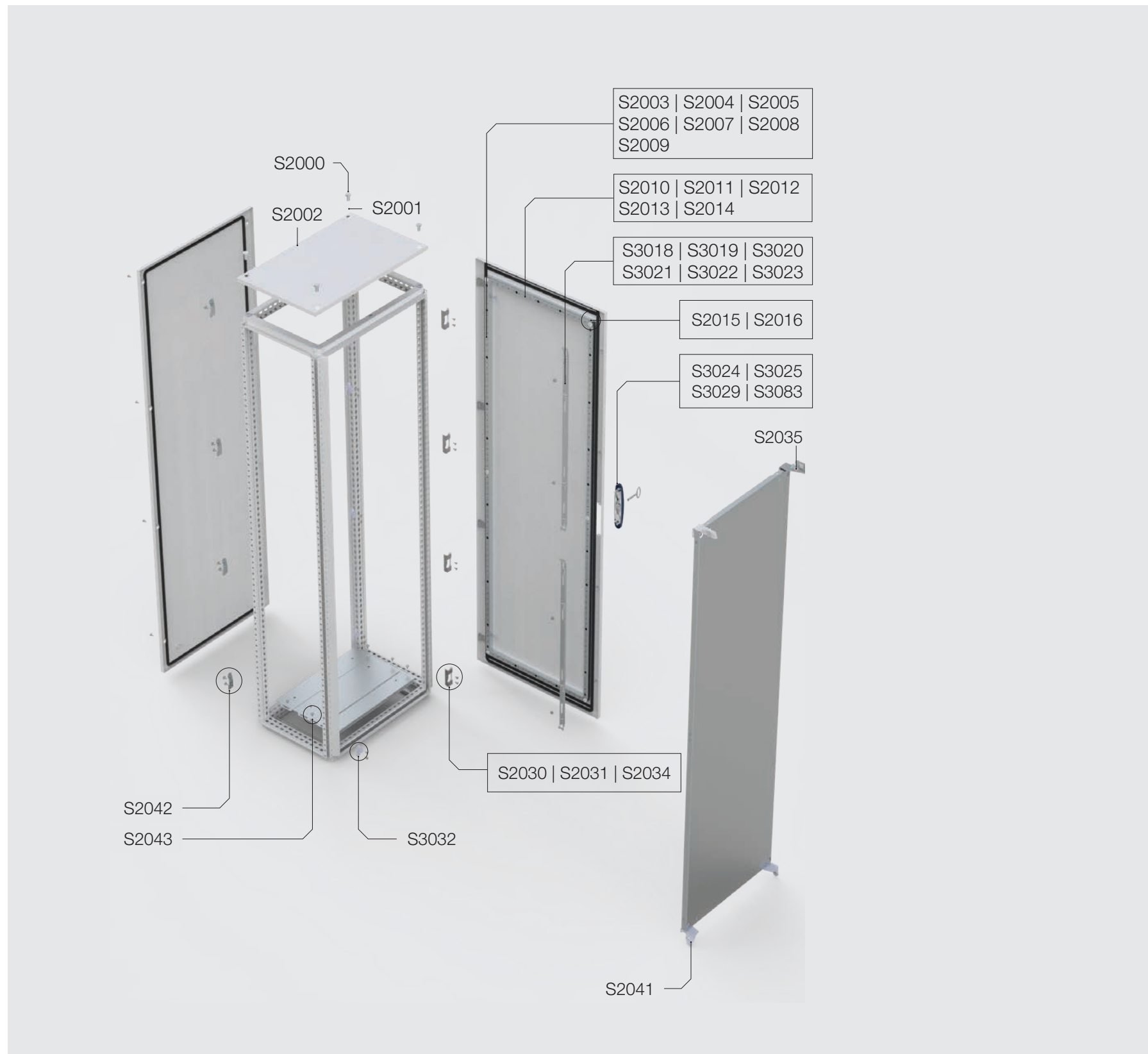
Mild steel	Single door enclosure, combinable version   MCS	78
	Double door enclosure, combinable version   MCD	80
	IP protected ICT rack   MCI	82
	Industrial computer enclosure   MCM	84
	Single door enclosure, compact version   MKS	86
Stainless steel	Double door enclosure, compact version   MKD	88
	Single door enclosure, combinable version   MCSS	90
	Double door enclosure, combinable version   MCDS	92
	Single door enclosure, compact version   EKSS	94
	Double door enclosure, combinable version   EKDS	96



# Floor Standing Enclosures | Spare parts

## Mild steel

### Single door enclosure, combinable version | MCS



Spare part	Pack quantity	Description
S2000	100	Hexagon screw M12x20 DIN 933
S2001	100	M12 nylon washer
S2002	100	Extrude-tite screw M6x12
S2003	10	Door frame vertical profile 1100mm
S2004	10	Door frame vertical profile 1200mm
S2005	10	Door frame vertical profile 1400mm
S2006	10	Door frame vertical profile 1600mm
S2007	10	Door frame vertical profile 1800mm
S2008	10	Door frame vertical profile 2000mm
S2009	10	Door frame vertical profile 2200mm
S2010	10	Door frame horizontal profile 400mm
S2011	10	Door frame horizontal profile 500mm
S2012	10	Door frame horizontal profile 600mm
S2013	10	Door frame horizontal profile 800mm
S2014	10	Door frame horizontal profile 1000mm
S2015	10	Door frame corner pieces
S2016	100	Door frame corner nuts
S3018	10	Locking system rods 1100
S3019	10	Locking system rods 1400
S3020	10	Locking system rods 1600
S3021	10	Locking system rods 1800
S3022	10	Locking system rods 2000
S3023	10	Locking system rods 2200
S3024	10	Locking system cover
S3025	10	Metallic insert
S3029	100	Cover screw
S2030	10	Hinge base
S2031	10	Hinge pins
S3032	10	Lock catch roller
S2034	100	Countersunk extrude-tite M6x12 screws
S2035	100	Cagenut M6 T=1,5mm
S3037	100	Locking nuts
S2041	50	MP bottom screw
S2042	40	Rear panel bracket
S2043	100	Bottom plate screw ST5.5x10
S2056	100	IP plugs 5,5mm
S2057	100	IP plugs 8mm
S3083	10	Plastic transparent lock covers

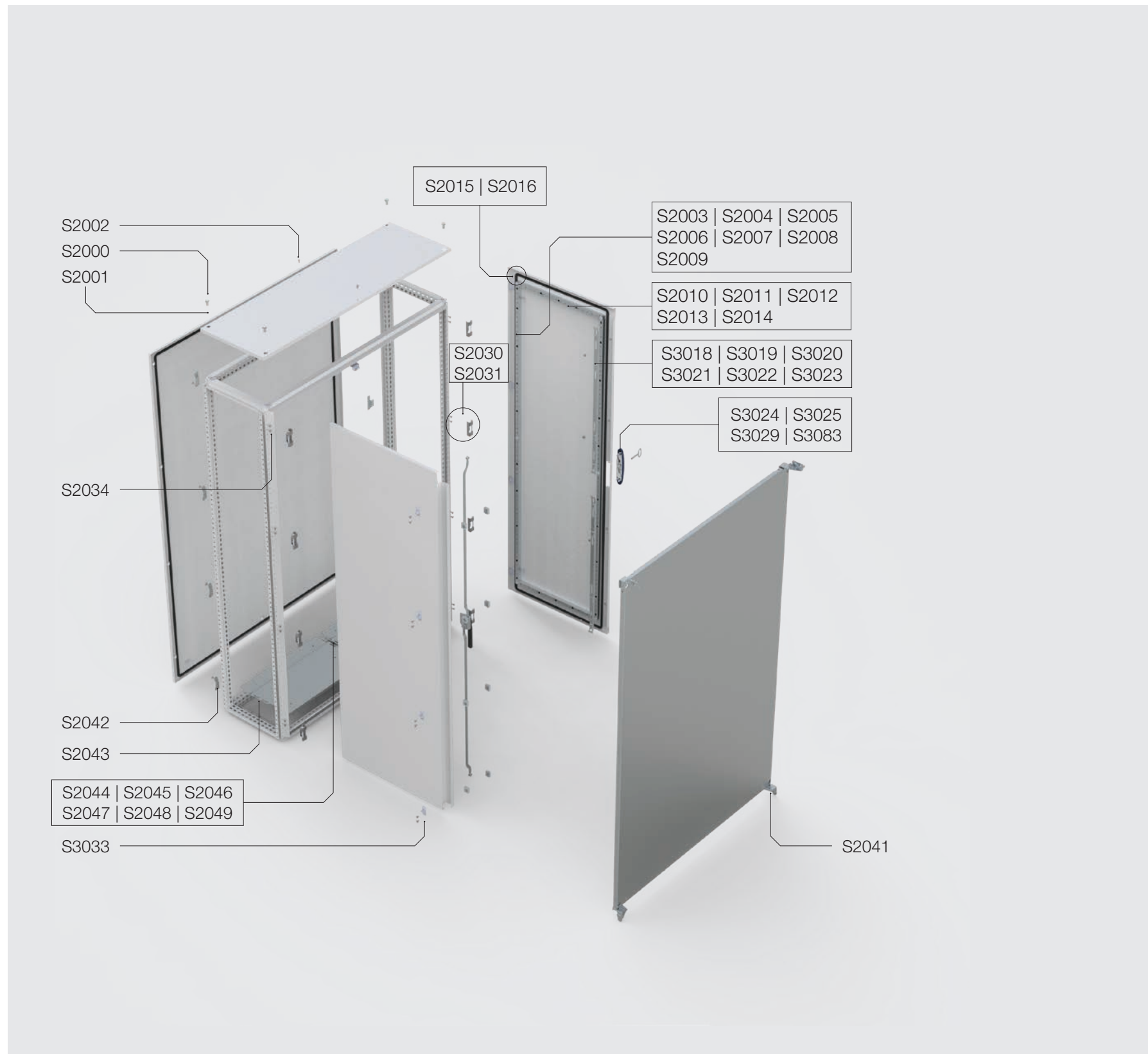
# Floor Standing Enclosures | Spare parts

## Mild steel

Double door enclosure, combinable version | MCD

# 02

Floor Standing Enclosures

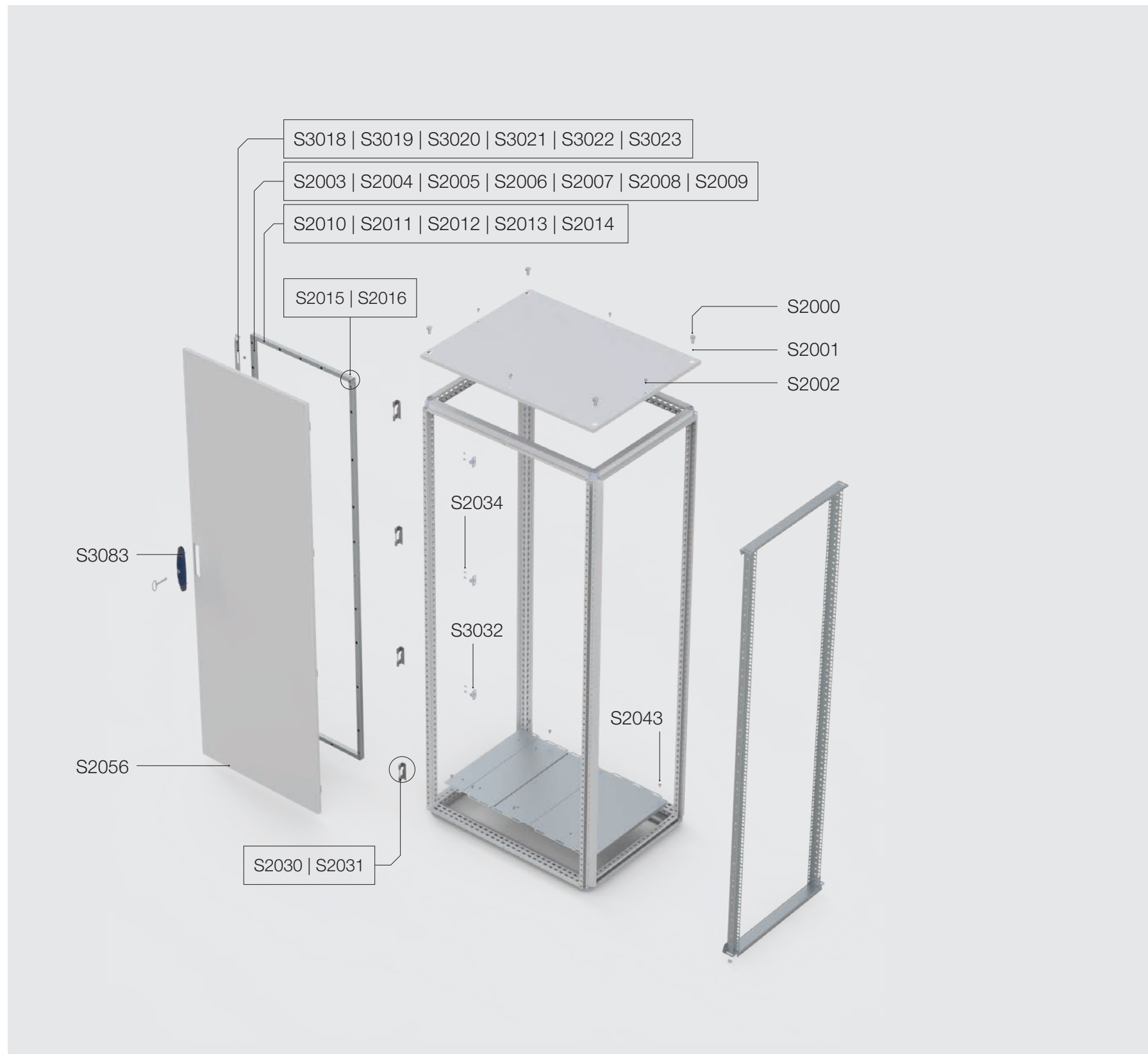


Spare part	Pack quantity	Description
S2000	100	Hexagon screw M12x20 DIN 933
S2001	100	M12 nylon washer
S2002	100	Extrude-tite screw M6x12
S2003	10	Door frame vertical profile 1100mm
S2004	10	Door frame vertical profile 1200mm
S2005	10	Door frame vertical profile 1400mm
S2006	10	Door frame vertical profile 1600mm
S2007	10	Door frame vertical profile 1800mm
S2008	10	Door frame vertical profile 2000mm
S2009	10	Door frame vertical profile 2200mm
S2010	10	Door frame horizontal profile 400mm
S2011	10	Door frame horizontal profile 500mm
S2012	10	Door frame horizontal profile 600mm
S2013	10	Door frame horizontal profile 800mm
S2014	10	Door frame horizontal profile 1000mm
S2015	10	Door frame corner pieces
S2016	100	Door frame corner nuts
S3018	10	Locking system rods 1100
S3019	10	Locking system rods 1400
S3020	10	Locking system rods 1600
S3021	10	Locking system rods 1800
S3022	10	Locking system rods 2000
S3023	10	Locking system rods 2200
S3024	10	Locking system cover
S3025	10	Metallic insert
S3029	100	Locking cover screw M5x10 T25
S2030	10	Hinge base
S2031	10	Hinge pins
S3033	10	Lock catch roller
S2034	100	Countersunk extrude-tite M6x12 screws
S2041	50	MP bottom screw
S2042	40	Rear panel bracket
S2043	100	Bottom plate screw ST5.5x10
S2044	10	Middle bottom mounting profile 300mm
S2045	10	Middle bottom mounting profile 400mm
S2046	10	Middlebottom mounting profile 500mm
S2047	10	Middle bottom mounting profile 600mm
S2048	10	Middle bottom mounting profile 800mm
S2049	10	Middle bottom mounting profile 1000mm
S2050	10	Middle top profile 300mm
S2051	10	Middle top profile 400mm
S2052	10	Middle top profile 500mm
S2053	10	Middle top profile 600mm
S2054	10	Middle top profile 800mm
S2055	10	Middle top profile 1000mm
S2056	100	IP plugs 5,5mm
S2057	100	IP plugs 8mm
S3083	10	Plastic transparent lock covers

# Floor Standing Enclosures | Spare parts

## Mild steel

### IP protected ICT rack | MCI



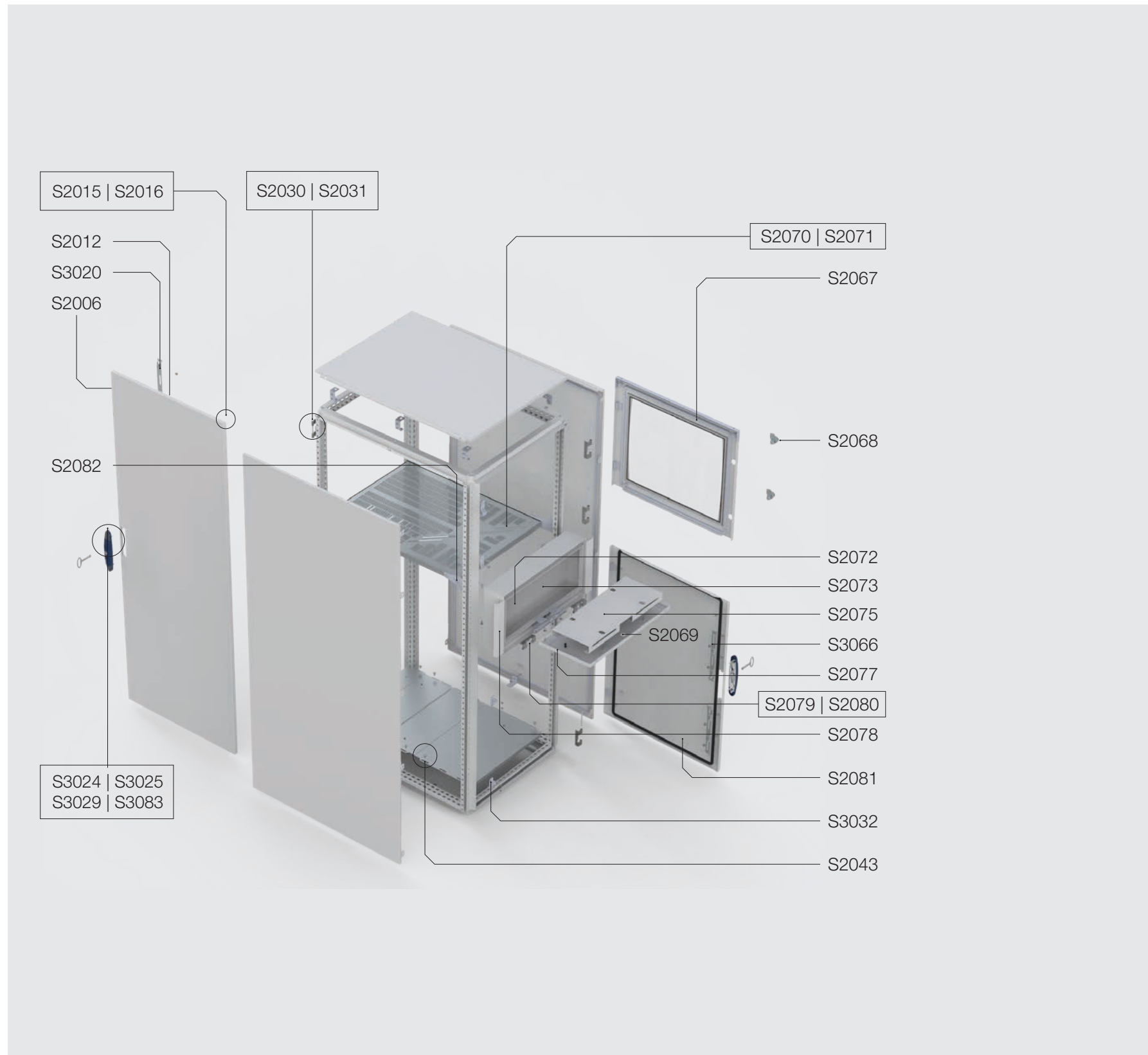
Spare part	Pack quantity	Description
S2000	100	Hexagon screw M12x20 DIN 933
S2001	100	M12 nylon washer
S2002	100	Extrude-tite screw M6x12
S2003	10	Door frame vertical profile 1100mm
S2004	10	Door frame vertical profile 1200mm
S2005	10	Door frame vertical profile 1400mm
S2006	10	Door frame vertical profile 1600mm
S2007	10	Door frame vertical profile 1800mm
S2008	10	Door frame vertical profile 2000mm
S2009	10	Door frame vertical profile 2200mm
S2010	10	Door frame horizontal profile 400mm
S2011	10	Door frame horizontal profile 500mm
S2012	10	Door frame horizontal profile 600mm
S2013	10	Door frame horizontal profile 800mm
S2014	10	Door frame horizontal profile 1000mm
S2015	10	Door frame corner pieces
S2016	100	Door frame corner nuts
S3018	10	Locking system rods 1100
S3019	10	Locking system rods 1400
S3020	10	Locking system rods 1600
S3021	10	Locking system rods 1800
S3022	10	Locking system rods 2000
S3023	10	Locking system rods 2200
S3024	10	Locking system cover
S3025	10	Metallic insert
S3029	100	Locking cover screw M5x10 T25
S2030	10	Hinge base
S2031	10	Hinge pins
S3032	10	Lock catch roller
S2034	100	Countersunk extrude tite M6x12 screws
S2035	100	Cagenut M6 T=1,5mm
S2043	100	Bottom plate screw ST5.5x10
S2056	100	IP plugs 5,5mm
S2057	100	IP plugs 8mm
S3083	10	Plastic transparent lock covers



# Floor Standing Enclosures | Spare parts

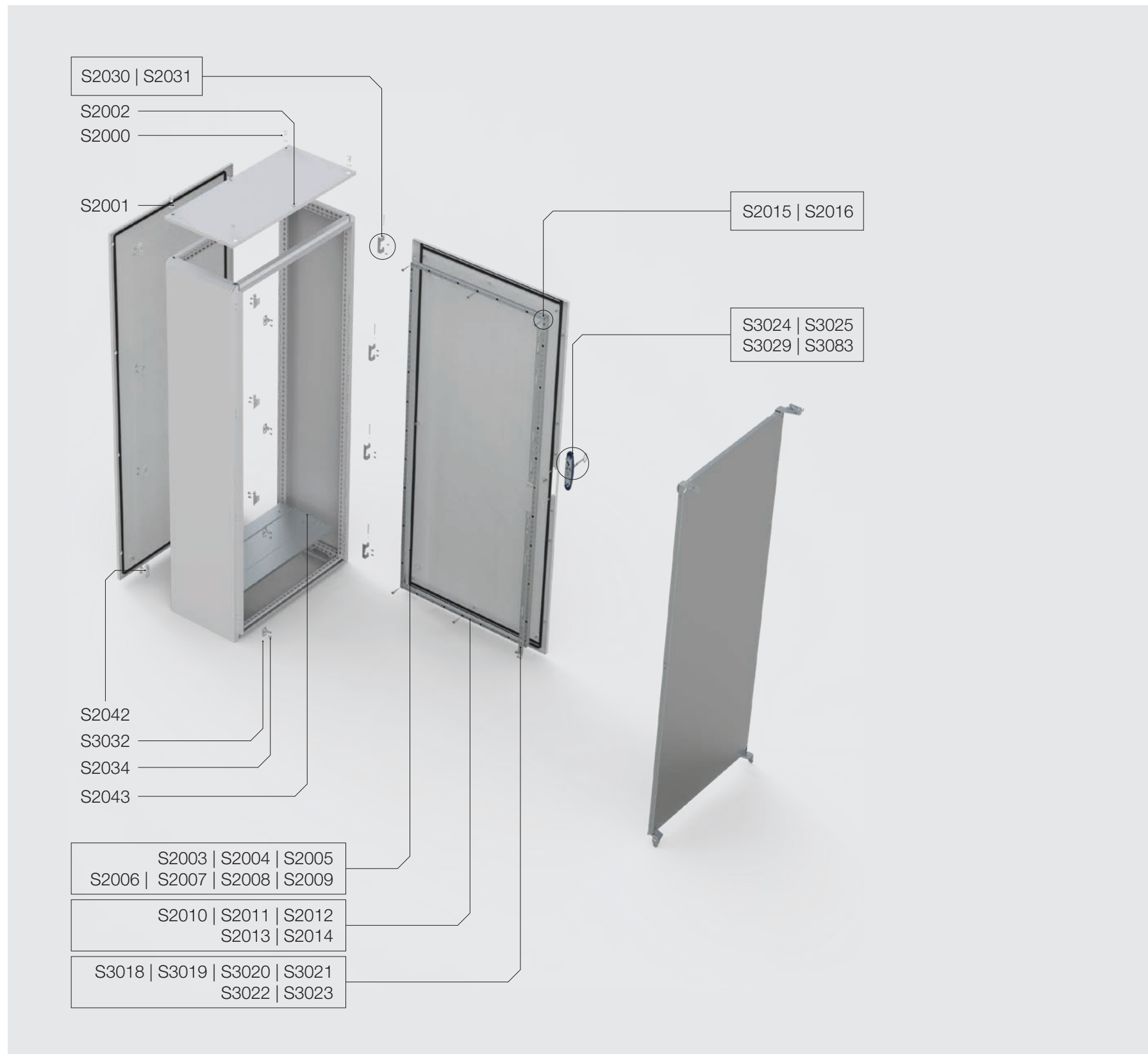
## Mild steel

### Industrial computer enclosure | MCM



Spare part	Pack quantity	Description
S2006	10	Door frame vertical profile 1600mm
S2012	10	Door frame horizontal profile 600mm
S2015	10	Door frame corner pieces
S2016	100	Door frame corner nuts
S3020	10	Locking system rods 1600
S3024	10	Locking system cover
S3025	10	Metallic insert
S3029	100	Locking cover screw M5x10 T25
S2030	10	Hinge base
S2031	10	Hinge pins
S3032	10	Lock catch roller
S2034	100	Countersunk extrude tite M6x12 screws
S3037	100	Locking nuts
S2043	100	Bottom plate screw ST5.5x10
S2056	100	IP plugs 5,5mm
S2057	100	IP plugs 8mm
S3066	10	Locking system rods 200
S2067	1	Monitor door
S2068	10	Panel lock (21mm Latch) C21323
S2069	10	Lock for keyboard tray
S2070	1	Shelf 066 MCM
S2071	1	Shelf 068 MCM
S2072	50	Cable inlet thule b=28
S2073	1	Closing box MCM
S2074	1	Bracket keyboard MCM, galv
S2075	1	Keyboard-plate MCM (RAL 7035)
S2076	1	Mouse-plate MCM (ral 7035)
S2077	1	Keyboard panel MCM
S2078	1	Keyboard frame MCM (ral 7015)
S2079	10	Keyboard tray hinge
S2080	10	Keyboard tray hinge pin
S2081	1	Bottom door MCM
S2082	10	Bracket monitorshelf MCM, galv
S3083	10	Plastic transparent lock covers

**Floor Standing Enclosures | Spare parts**  
**Mild steel**  
 Single door enclosure, compact version | MKS



Spare part	Pack quantity	Description
S2000	100	Hexagon screw M12x20 DIN 933
S2001	100	M12 nylon washer
S2002	100	Extrude-tite screw M6x12
S2003	10	Door frame vertical profile 1100mm
S2004	10	Door frame vertical profile 1200mm
S2005	10	Door frame vertical profile 1400mm
S2006	10	Door frame vertical profile 1600mm
S2007	10	Door frame vertical profile 1800mm
S2008	10	Door frame vertical profile 2000mm
S2009	10	Door frame vertical profile 2200mm
S2010	10	Door frame horizontal profile 400mm
S2011	10	Door frame horizontal profile 500mm
S2012	10	Door frame horizontal profile 600mm
S2013	10	Door frame horizontal profile 800mm
S2014	10	Door frame horizontal profile 1000mm
S2015	10	Door frame corner pieces
S2016	100	Door frame corner nuts
S3018	10	Locking system rods 1100
S3019	10	Locking system rods 1400
S3020	10	Locking system rods 1600
S3021	10	Locking system rods 1800
S3022	10	Locking system rods 2000
S3023	10	Locking system rods 2200
S3024	10	Locking system cover
S3025	10	Metallic insert
S3029	100	Locking cover screw M5x10 T25
S2030	10	Hinge base
S2031	10	Hinge pins
S3032	10	Lock catch roller
S2034	100	Countersunk extrude tite M6x12 screws
S2039	50	MP top screw
S2040	100	Screw M6x12 DIN 7985 T30 Galv
S2041	50	MP bottom screw
S2042	40	Rear panel bracket
S2043	100	Bottom plate screw ST5.5x10
S2056	100	IP plugs 5.5 mm
S2057	100	IP plugs 8 mm
S3083	10	Plastic transparent lock covers

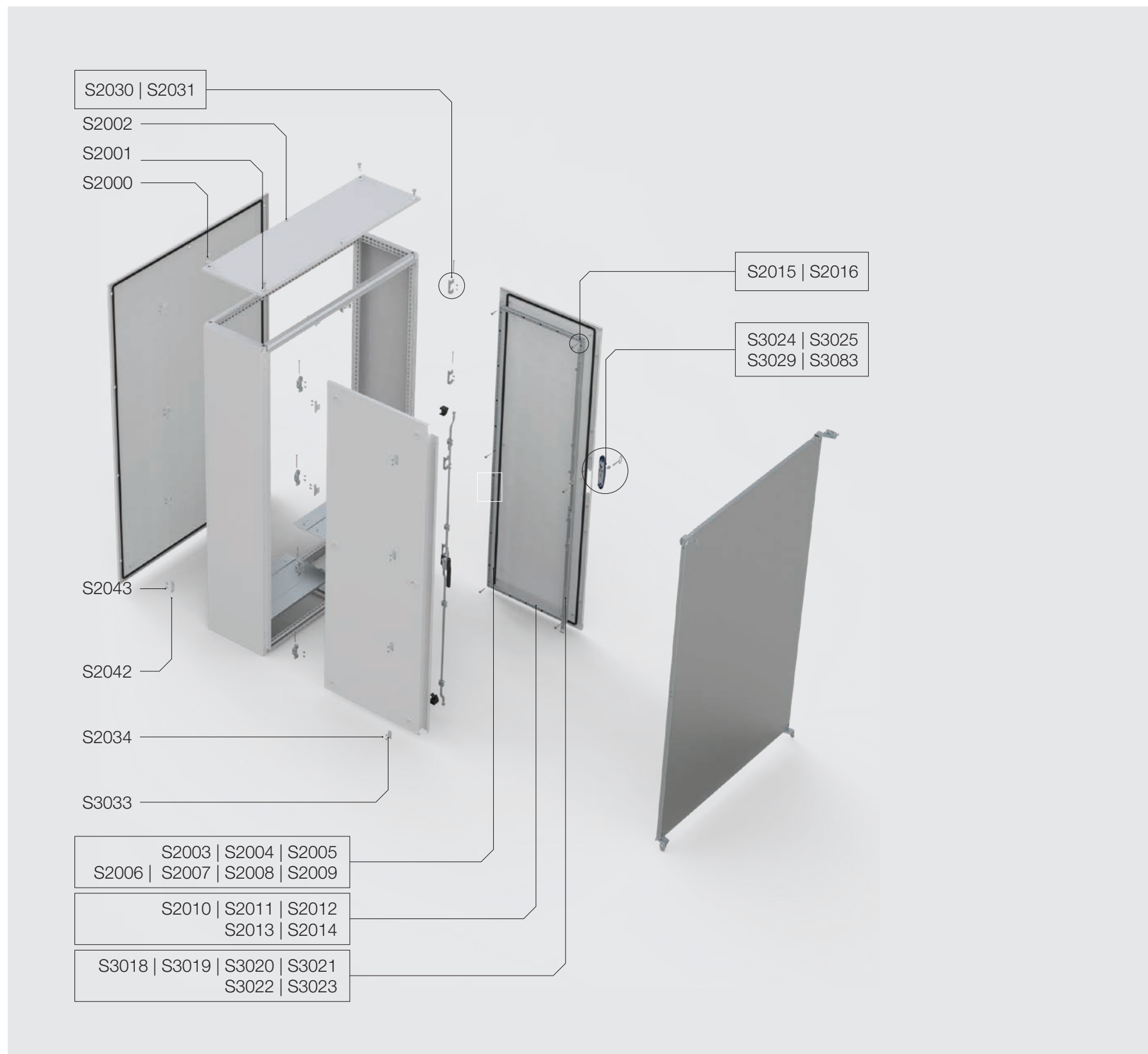
# Floor Standing Enclosures | Spare parts

## Mild steel

### Double door enclosure, compact version | MKD

# 02

Floor Standing Enclosures



Spare part	Pack quantity	Description
S2000	100	Hexagon screw M12x20 DIN 933
S2001	100	M12 nylon washer
S2002	100	Extrude-tite screw M6x12
S2003	10	Door frame vertical profile 1100mm
S2004	10	Door frame vertical profile 1200mm
S2005	10	Door frame vertical profile 1400mm
S2006	10	Door frame vertical profile 1600mm
S2007	10	Door frame vertical profile 1800mm
S2008	10	Door frame vertical profile 2000mm
S2009	10	Door frame vertical profile 2200mm
S2010	10	Door frame horizontal profile 400mm
S2011	10	Door frame horizontal profile 500mm
S2012	10	Door frame horizontal profile 600mm
S2013	10	Door frame horizontal profile 800mm
S2014	10	Door frame horizontal profile 1000mm
S2015	10	Door frame corner pieces
S2016	100	Door frame corner nuts
S3018	10	Locking system rods 1100
S3019	10	Locking system rods 1400
S3020	10	Locking system rods 1600
S3021	10	Locking system rods 1800
S3022	10	Locking system rods 2000
S3023	10	Locking system rods 2200
S3024	10	Locking system cover
S3025	10	Metallic insert
S3029	100	Locking cover screw M5x10 T25
S2030	10	Hinge base
S2031	10	Hinge pins
S3033	10	Lock catch roller
S2034	100	Countersunk extrude tite M6x12 screws
S2035	100	Cagenut M6 T=1.5mm
S3037	100	Locking nuts
S2039	50	MP top screw
S2040	100	Screw M6x12 DIN 7985 T30 Galv
S2041	50	MP bottom screw
S2042	40	Rear panel bracket
S2043	100	Bottom plate screw ST5.5x10
S2044	10	Middle bottom mounting profile 300mm
S2045	10	Middle bottom mounting profile 400mm
S2046	10	Middlebottom mounting profile 500mm
S2047	10	Middle bottom mounting profile600mm
S2048	10	Middle bottom mounting profile 800mm
S2049	10	Middle bottom mounting profile 1000mm
S2050	10	Middle top profile 300mm
S2051	10	Middle top profile 400mm
S2052	10	Middle top profile 500mm
S2053	10	Middle top profile 600mm
S2054	10	Middle top profile 800mm
S2055	10	Middle top profile 1000mm
S2056	100	IP plugs 5.5mm
S2057	100	IP plugs 8mm
S3083	10	Plastic transparent lock covers



# Floor Standing Enclosures | Spare parts

## Stainless steel

### Single door enclosure, combinable version | MCSS

# 02

Floor Standing Enclosures



Spare part	Quantity	Description
S2200	100	Hexagon screw M12x20 DIN 933
S2201	100	M12 nylon washer
S2202	100	Extrude-tite screw M6x12
S2203	10	Door frame vertical profile 1100mm
S2204	10	Door frame vertical profile 1200mm
S2205	10	Door frame vertical profile 1400mm
S2206	10	Door frame vertical profile 1600mm
S2207	10	Door frame vertical profile 1800mm
S2208	10	Door frame vertical profile 2000mm
S2209	10	Door frame vertical profile 2200mm
S2210	10	Door frame horizontal profile 400mm
S2211	10	Door frame horizontal profile 500mm
S2212	10	Door frame horizontal profile 600mm
S2213	10	Door frame horizontal profile 800mm
S2214	10	Door frame horizontal profile 1000mm
S2215	10	Door frame corner pieces
S2216	100	Door frame corner nuts
S3218	10	Locking system rods 1100
S3219	10	Locking system rods 1400
S3220	10	Locking system rods 1600
S3221	10	Locking system rods 1800
S3222	10	Locking system rods 2000
S3223	10	Locking system rods 2200
S3224	10	Locking system cover
S3225	10	Metallic insert
S3229	100	Locking cover screw M5x10 T25
S2230	10	Hinge base
S2231	10	Hinge pins
S3232	10	Lock catch roller
S2234	100	Countersunk extrude tite M6x12 screws
S2235	100	Cagenut M6 T=1,5mm
S3237	100	Locking nuts
S2239	50	MP top screw
S2240	100	Screw M6x12 DIN 7985 T30 Galv
S2241	50	MP bottom screw
S2242	40	Rear panel bracket
S2243	100	Bottom plate screw ST5.5x10
S2256	100	IP plugs 5,5mm
S2257	100	IP plugs 8mm

# Floor Standing Enclosures | Spare parts

## Stainless steel

### Double door enclosure, combinable version | MCDS

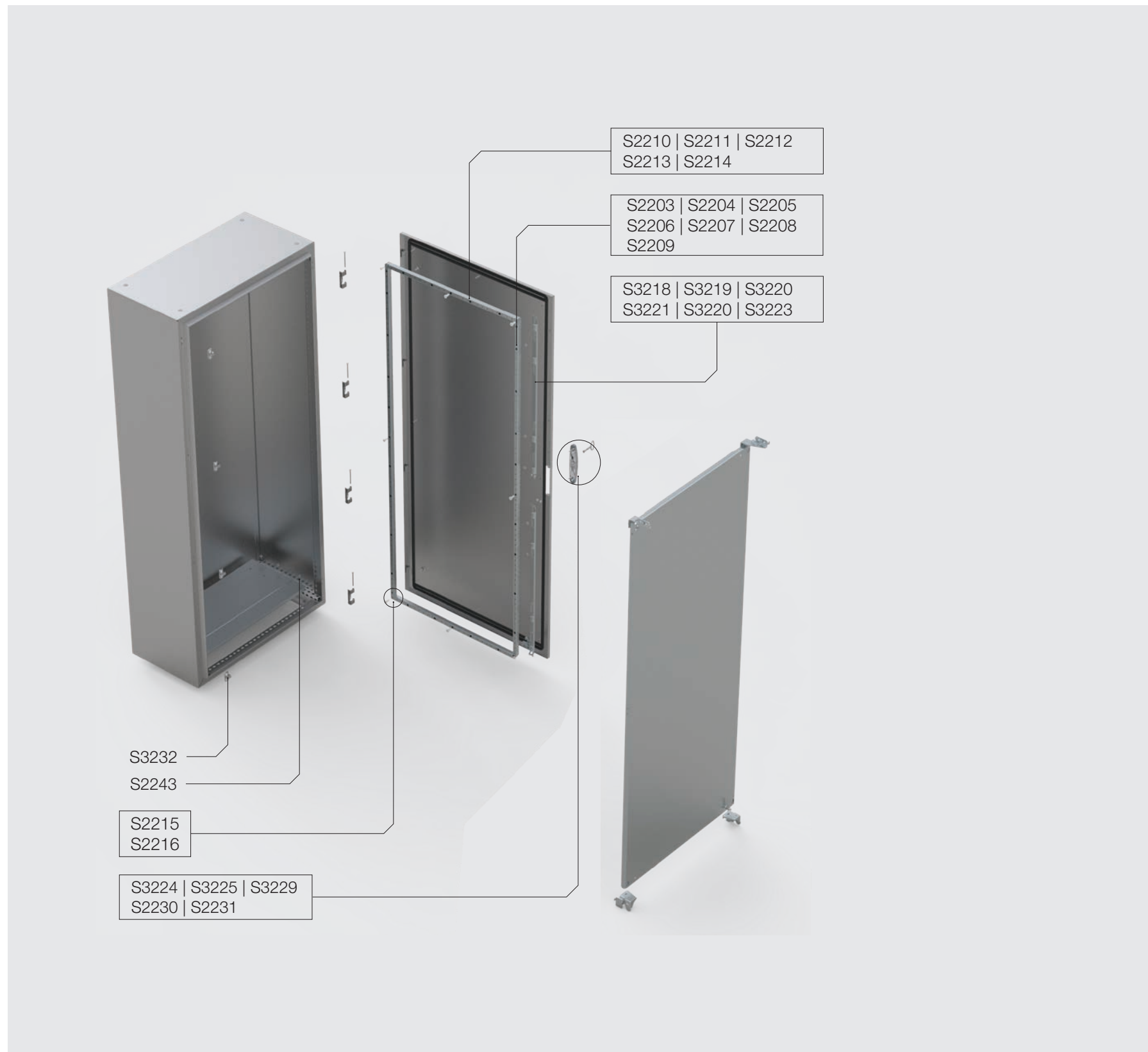
# 02

Floor Standing Enclosures



Spare part	Quantity	Description
S2200	100	Hexagon screw M12x20 DIN 933
S2201	100	M12 nylon washer
S2202	100	Extrude-tite screw M6x12
S2203	10	Door frame vertical profile 1100mm
S2204	10	Door frame vertical profile 1200mm
S2205	10	Door frame vertical profile 1400mm
S2206	10	Door frame vertical profile 1600mm
S2207	10	Door frame vertical profile 1800mm
S2208	10	Door frame vertical profile 2000mm
S2209	10	Door frame vertical profile 2200mm
S2210	10	Door frame horizontal profile 400mm
S2211	10	Door frame horizontal profile 500mm
S2212	10	Door frame horizontal profile 600mm
S2213	10	Door frame horizontal profile 800mm
S2214	10	Door frame horizontal profile 1000mm
S2215	10	Door frame corner pieces
S2216	100	Door frame corner nuts
S3217	10	Locking system center rod
S3218	10	Locking system rods 1100
S3219	10	Locking system rods 1400
S3220	10	Locking system rods 1600
S3221	10	Locking system rods 1800
S3222	10	Locking system rods 2000
S3223	10	Locking system rods 2200
S3224	10	Locking system cover
S3225	10	Plastic insert
S3226	10	Locking system plastic gear cover
S3227	10	Locking system gear
S3228	100	Locking system plastic gear cover screws
S3229	100	Locking system gear screw
S2230	10	Hinge base
S2231	10	Hinge pins
S3233	100	Lock catch roller
S2234	100	Countersunk extrude tite M6x12 screws
S2235	50	Cagenut M6 T=1,5mm
S3237	100	Lock system rod plastic holders
S3238	50	Lock system rod plastic holder nuts
S2239	100	MP top screw
S2240	50	Screw M6x12 DIN 7985 T30 Galv
S2241	40	MP bottom screw
S2242	100	Rear panel bracket
S2243	10	Bottom plate screw ST5.5x10
S2244	10	Middle bottom mounting profile 300mm
S2245	10	Middle bottom mounting profile 400mm
S2246	10	Middlebottom mounting profile 500mm
S2247	10	Middle bottom mounting profile600mm
S2248	10	Middle bottom mounting profile 800mm
S2249	10	Middle bottom mounting profile 1000mm
S2250	10	Middle top profile 300mm
S2251	10	Middle top profile 400mm
S2252	10	Middle top profile 500mm
S2253	10	Middle top profile 600mm
S2254	10	Middle top profile 800mm
S2255	100	Middle top profile 1000mm
S2256	100	IP plugs 5,5mm
S2257	50	IP plugs 8mm

**Floor Standing Enclosures | Spare parts**  
**Stainless steel**  
 Single door enclosure, compact version | EKSS



Spare part	Quantity	Description
S2203	10	Door frame vertical profile 1100mm
S2204	10	Door frame vertical profile 1200mm
S2205	10	Door frame vertical profile 1400mm
S2206	10	Door frame vertical profile 1600mm
S2207	10	Door frame vertical profile 1800mm
S2208	10	Door frame vertical profile 2000mm
S2209	10	Door frame vertical profile 2200mm
S2210	10	Door frame horizontal profile 400mm
S2211	10	Door frame horizontal profile 500mm
S2212	10	Door frame horizontal profile 600mm
S2213	10	Door frame horizontal profile 800mm
S2214	10	Door frame horizontal profile 1000mm
S2215	10	Door frame corner pieces
S2216	100	Door frame corner nuts
S3218	10	Locking system rods 1100
S3219	10	Locking system rods 1400
S3220	10	Locking system rods 1600
S3221	10	Locking system rods 1800
S3222	10	Locking system rods 2000
S3223	10	Locking system rods 2200
S3224	10	Locking system cover
S3225	10	Metallic insert
S3229	100	Locking cover screw M5x10 T25
S2230	10	Hinge base
S2231	10	Hinge pins
S3232	10	Lock catch roller
S2234	100	Countersunk extrude tite M6x12 screws
S2235	100	Cagenut M6 T=1,5mm
S3237	100	Locking nuts
S2239	50	MP top screw
S2240	100	Screw M6x12 DIN 7985 T30 Galv
S2241	50	MP bottom screw
S2243	100	Bottom plate screw ST5.5x10
S2256	100	IP plugs 5,5mm
S2257	100	IP plugs 8mm
S2258	5	Depth profile bottom left
S2259	5	Depth profile bottom right
S2260	5	Depth profile top left
S2261	5	Depth profile top right



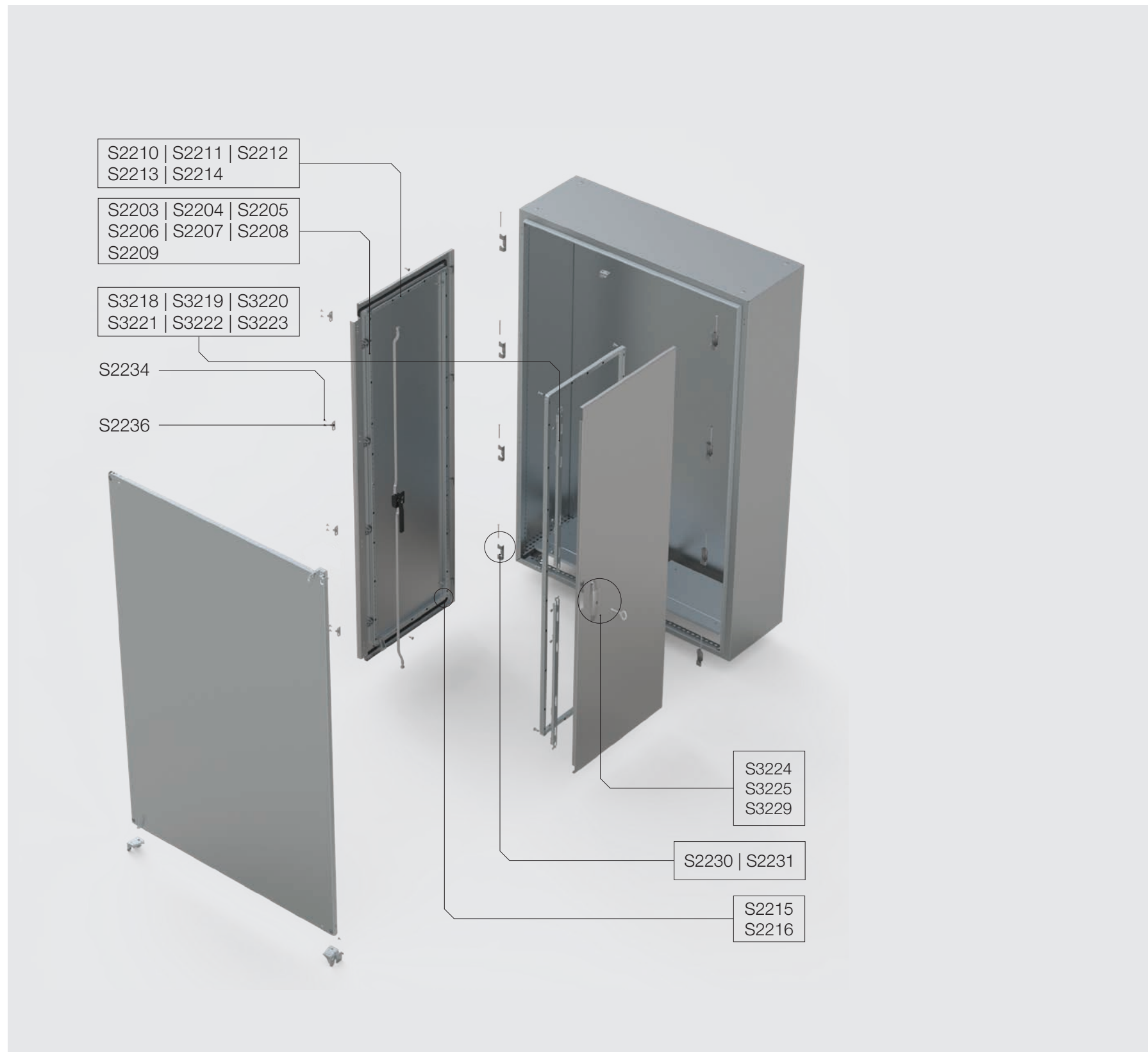
# Floor Standing Enclosures | Spare parts

## Stainless Steel

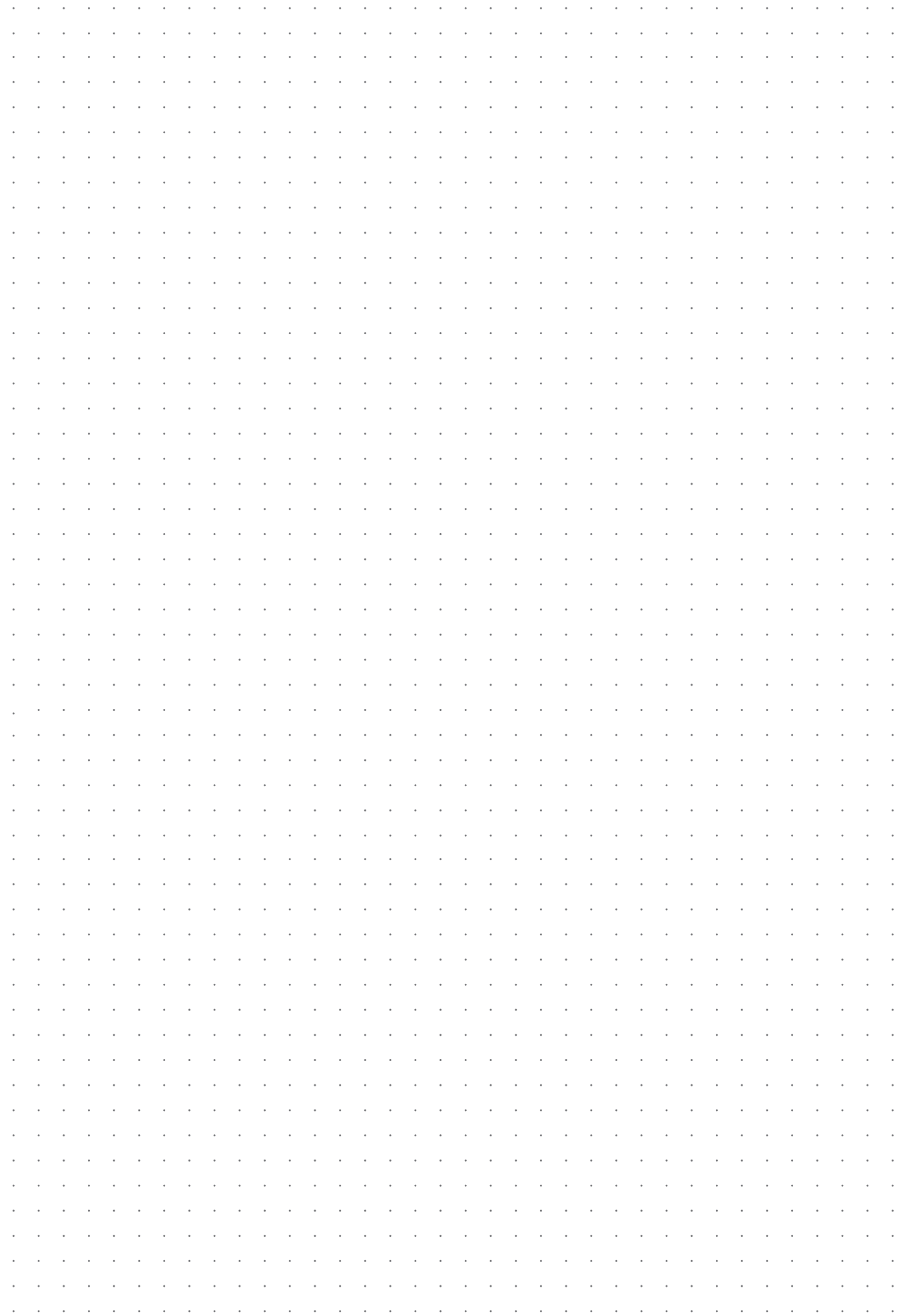
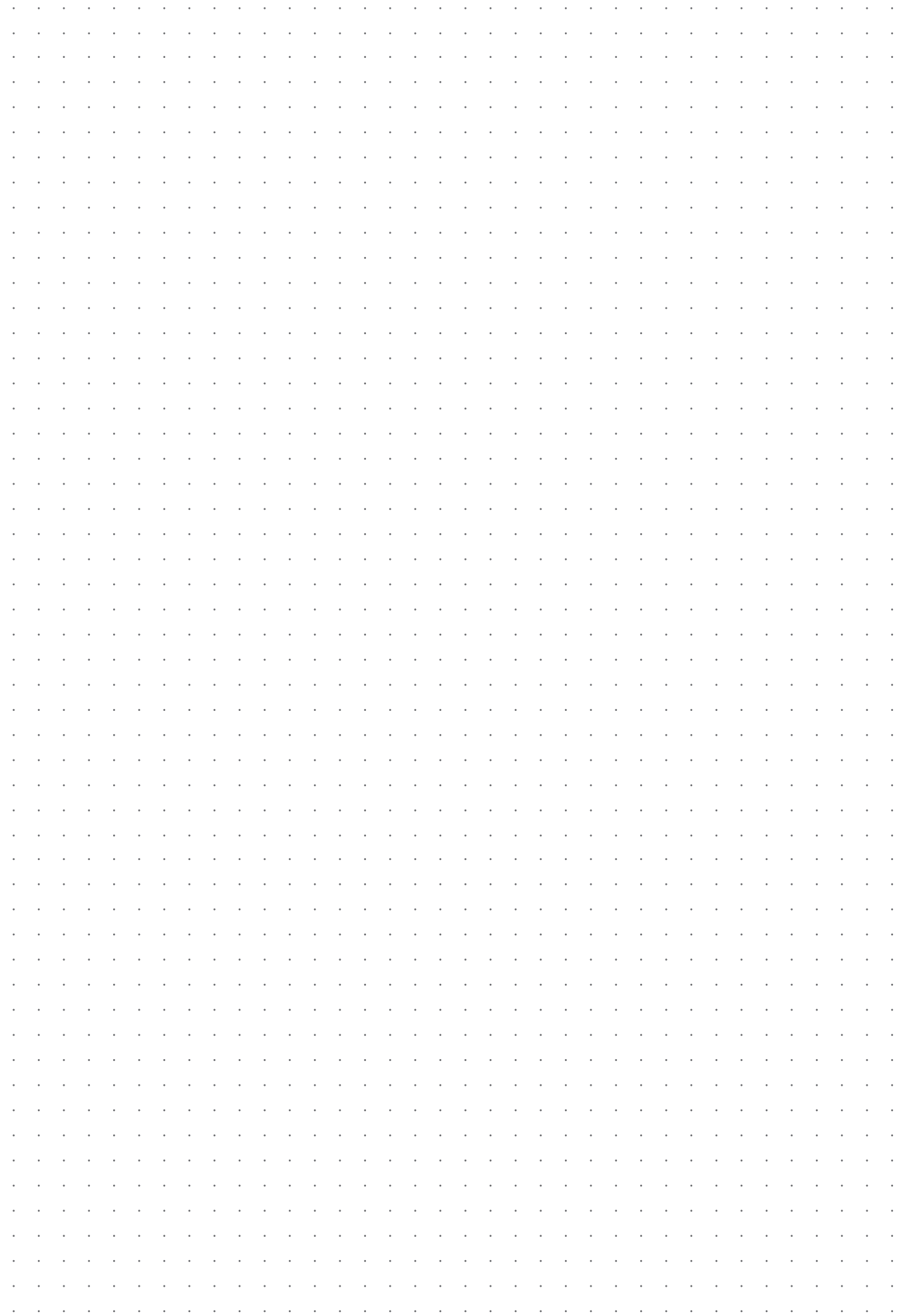
### Double door enclosure, combinable version | EKDS

# 02

Floor Standing Enclosures



Spare part	Quantity	Description
S2203	10	Door frame vertical profile 1100mm
S2204	10	Door frame vertical profile 1200mm
S2205	10	Door frame vertical profile 1400mm
S2206	10	Door frame vertical profile 1600mm
S2207	10	Door frame vertical profile 1800mm
S2208	10	Door frame vertical profile 2000mm
S2209	10	Door frame vertical profile 2200mm
S2210	10	Door frame horizontal profile 400mm
S2211	10	Door frame horizontal profile 500mm
S2212	10	Door frame horizontal profile 600mm
S2213	10	Door frame horizontal profile 800mm
S2214	10	Door frame horizontal profile 1000mm
S2215	10	Door frame corner pieces
S2216	100	Door frame corner nuts
S3218	10	Locking system rods 1100
S3219	10	Locking system rods 1400
S3220	10	Locking system rods 1600
S3221	10	Locking system rods 1800
S3222	10	Locking system rods 2000
S3223	10	Locking system rods 2200
S3224	10	Locking system cover
S3225	10	Metallic insert
S3229	100	Locking cover screw
S2230	10	Hinge base
S2231	10	Hinge pins
S2234	10	Countersunk extrude tite M6x12 screws
S2235	100	Cagenut M6 T=1,5mm
S3236	100	Lock catch roller
S3237	100	Locking nuts
S2239	50	MP top screw
S2240	100	Screw M6x12 DIN 7985 T30 Galv
S2241	50	MP bottom screw
S2243	100	Bottom plate screw ST5.5x10
S2256	100	IP plugs 5,5mm
S2257	100	IP plugs 8mm
S2258	5	Depth profile bottom left
S2259	5	Depth profile bottom right
S2260	5	Depth profile top left
S2261	5	Depth profile top right
S2262	5	Depth profile bottom 400D-1600W
S2263	5	Depth profile bottom 500D-1600W
S2264	5	Depth profile top 400D-1600W
S2265	5	Depth profile top 500D-1600W





Replacement and Spare Parts Catalogue. Version 2.0 – 2018

[www.eldon.com](http://www.eldon.com)