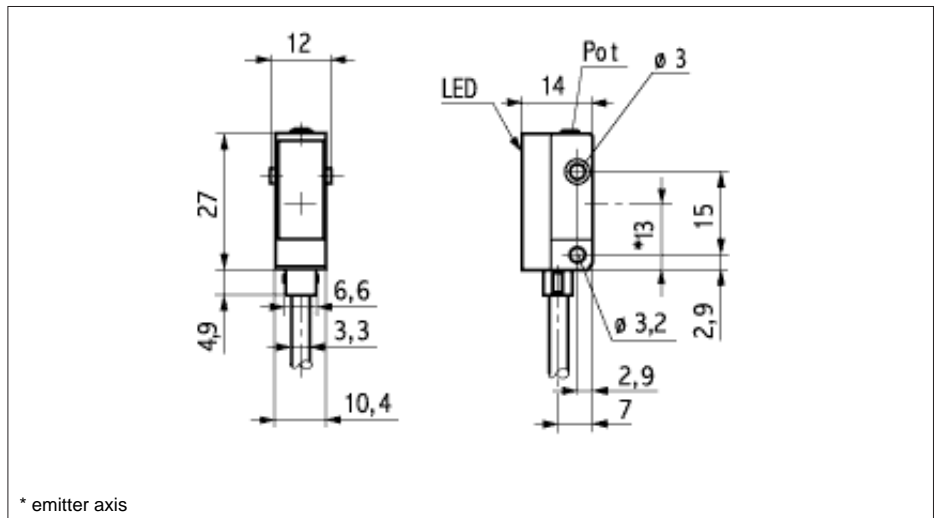


# Diffuse sensors (Background suppression), plastic FHDK 10P1101/KS35



Technical Data	
function	background suppression
sensing distance Tw	20 - 100 mm
sensing range Tb (at Tw min)	5 - 20 mm
sensing range Tb (at Tw max)	5 - 100 mm
output	PNP
output state	light operate
housing style	rectangular
width /diameter	10,4 mm
height	27 mm
depth	14 mm
housing material	plastic (ASA)
connection	flylead connector
operating range	-
beam focal point	-
repeatability	-
min. detectable contrast	-
output indicator	yellow LED
alignment aid / soiled lens indicator	flashing LED
light source	pulsed red diode
wave length	660 nm
laser class	-
voltage supply range +Vs	10 - 30 V
supply voltage	DC
supply current average/peak value	23 / 33 mA
switching current	< 100 mA
voltage drop	< 1,8 VDC
response time / release time	< 1 ms
sensitivity adjustable	mechanical, 5 turn
short circuit protection	yes
reverse polarity protection	yes
temperature range	-25 ... +65 °C
protection class	IP 65
connectors	ES 8.2P, ESG 32S

background suppression
20 - 100 mm
5 - 20 mm
5 - 100 mm
PNP
light operate
rectangular
10,4 mm
27 mm
14 mm
plastic (ASA)
flylead connector
-
-
-
yellow LED
flashing LED
pulsed red diode
660 nm
-
10 - 30 V
DC
23 / 33 mA
< 100 mA
< 1,8 VDC
< 1 ms
mechanical, 5 turn
yes
yes
-25 ... +65 °C
IP 65
ES 8.2P, ESG 32S



**connection diagram**

