

HOG 10

Blind hollow shaft or cone shaft
300...5000 pulses per revolution

Overview

- TTL output driver for cable length up to 550 m
- Very high resistance to shock and vibrations
- Hybrid bearing for extended service life
- Large terminal box, turn by 180° or axial terminal cover



HUBNER
BERLIN
A Baumer Brand

Technical data

Technical data - electrical ratings

Voltage supply	9...30 VDC 5 VDC ±5 %
Consumption w/o load	≤100 mA
Pulses per revolution	300 ... 5000
Phase shift	90 ° ±20°
Duty cycle	40...60 %
Reference signal	Zero pulse, width 90°
Sensing method	Optical
Output frequency	≤120 kHz ≤300 kHz (on request)
Output signals	K1, K2, K0 + inverted Error output (option EMS)
Output stages	HTL-P (power linedriver) TTL/RS422
Shaft insulation	Suitable up to 2.8 kV
Transmission length	≤350 m at 100 kHz (HTL-P) ≤550 m at 100 kHz (TTL)
Interference immunity	EN 61000-6-2
Emitted interference	EN 61000-6-3
Approval	CE UL approval / E217823

Technical data - mechanical design

Size (flange)	ø105 mm
Shaft type	ø12...20 mm (blind hollow shaft) ø17 mm (cone shaft 1:10)

Technical data - mechanical design

Admitted shaft load	≤450 N axial ≤600 N radial
Protection EN 60529	IP 66
Operating speed	≤6000 rpm (mechanical)
Operating torque typ.	6 Ncm
Rotor moment of inertia	340 gcm ²
Material	Housing: aluminium die-cast Shaft: stainless steel
Operating temperature	-40...+100 °C -25...+100 °C (>3072 pulses) -50...+100 °C (optional)
Resistance	IEC 60068-2-6 Vibration 20 g, 10-2000 Hz IEC 60068-2-27 Shock 300 g, 6 ms
Corrosion protection	IEC 60068-2-52 Salt mist for ambient conditions C4 according to ISO 12944-2
Explosion protection	II 3 G Ex nA IIC T4 Gc (gas) II 3 D Ex tc IIIC T135°C Dc (dust) (only with option ATEX)
Connection	Terminal box Terminal cover 2x terminal box (with option M)
Weight approx.	1.6 kg 1.8 kg (with option M)

Optional

- Function control with EMS
- Redundant sensing with two terminal boxes
- With heating up to -50°C
- With earthing brushes
- Sealing system for tropical environments

HOG 10

Blind hollow shaft or cone shaft

300...5000 pulses per revolution

Terminal assignment

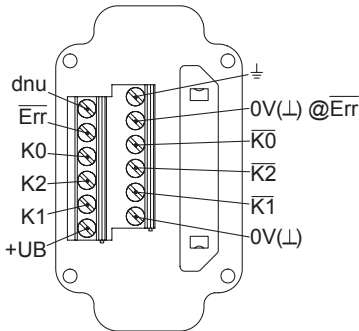
View A (see dimension)

Connecting terminal terminal box, radial



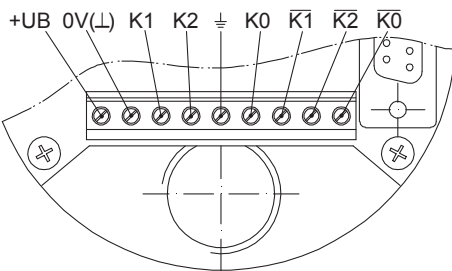
Option EMS: View A (see dimension)

Connecting terminal terminal box, radial



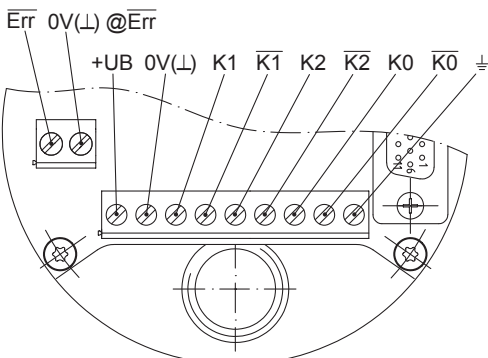
View B (see dimension)

Connecting terminal terminal cover, axial



Option EMS: View B (see dimension)

Connecting terminal terminal cover, axial



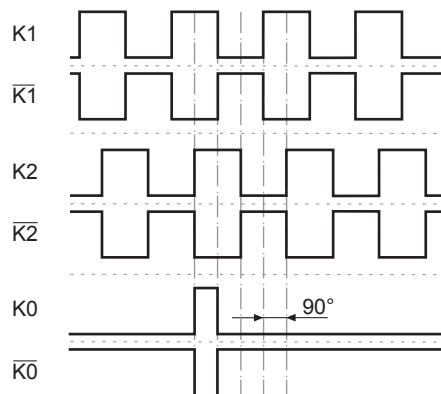
Terminal significance

+UB	Voltage supply
0V (L)	Ground
⊥	Earth ground (housing)
K1	Output signal channel 1
K1̄	Output signal channel 1 inverted
K2	Output signal channel 2 (offset by 90° to channel 1)
K2̄	Output signal channel 2 inverted
K0	Zero pulse (reference signal)
K0̄	Zero pulse inverted
Err	Error output (option EMS)
dnu	Do not use

Output signals

HTL/TTL

At positive rotating direction (see dimension)



Option EMS: Status LED / error output

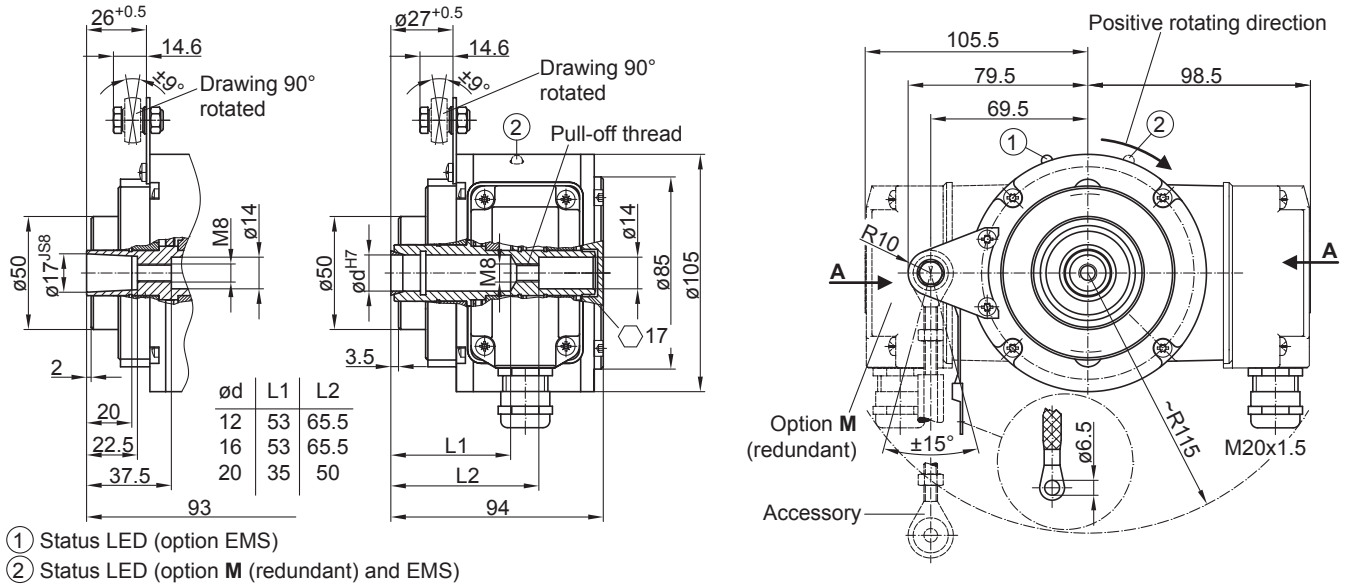
Flash light red*	Error of signal sequence, zero pulse or pulses (Error output = HIGH-LOW alternation)
Red	Overload output transistors (Error output = LOW)
Flash light green	Device o.k., rotating (Error output = HIGH)
Green	Device o.k., stopped (Error output = HIGH)
No light	No voltage supply connection or wrong connection (Error output = LOW)

* Only at rotating device

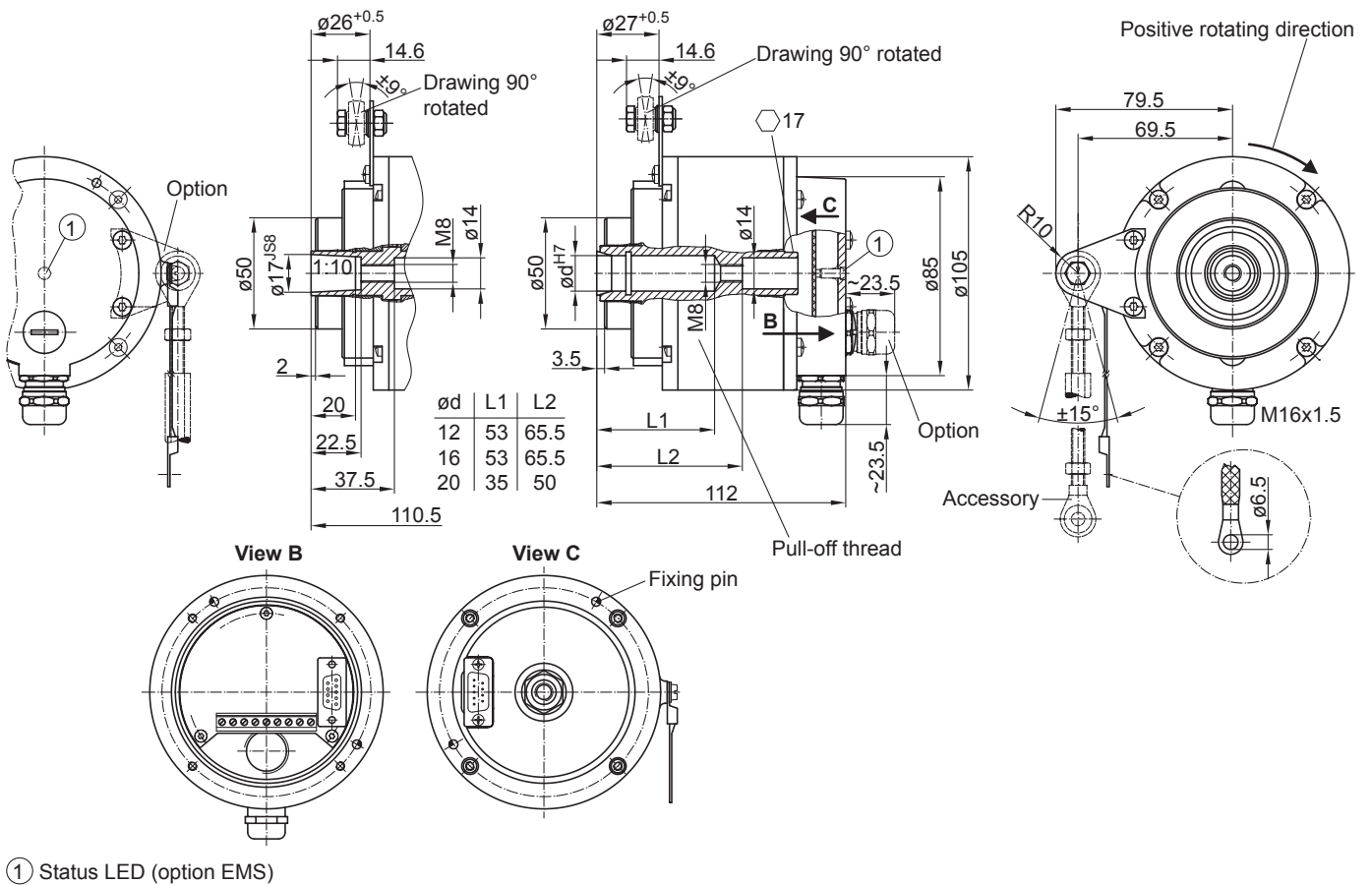
HOG 10

Blind hollow shaft or cone shaft
300...5000 pulses per revolution

Dimensions



Version with radial terminal box



Version with axial terminal cover

HOG 10

 Blind hollow shaft or cone shaft
 300...5000 pulses per revolution

Ordering reference

	HOG10	##	#	DN	####	###	##	#####	#####
Product									
Incremental encoder	HOG10								
EMS - Enhanced Monitoring System									
Without EMS									
With EMS		.2							
Redundant sensing									
Without redundant sensing									
With redundant sensing			M						
Output signals									
K1, K2, K0				DN					
Pulse number⁽¹⁾									
300					300				
500					500				
512					512				
1000					1000				
1024					1024				
1200					1200				
2048					2048				
2500					2500				
3072					3072				
4096					4096				
5000					5000				
Voltage supply / output stage									
9...30 VDC / output stage HTL with inverted signals							I		
5 VDC / output stage TTL with inverted signals							TTL		
9...30 VDC / output stage TTL with inverted signals							R		
Sealing system									
Dust protection								LR	
Damp protection								SR	
Tropical protection								TR	
Shaft diameter									
Blind hollow shaft ø12 mm									12H7
Blind hollow shaft ø16 mm									16H7
Blind hollow shaft ø20 mm									20H7
Cone shaft ø17 mm (1:10)									17K
Connection									
Terminal box, radial									KLK
Terminal cover, axial (not for option M redundant)									KLK-AX

(1) Other pulse numbers on request.

HOG 10

Blind hollow shaft or cone shaft

300...5000 pulses per revolution

Accessories

Mounting accessories

11043628	Torque arm M6, length 67...70 mm
11004078	Torque arm M6, length 120...130 mm (≥ 71 mm)
11002915	Torque arm M6, length 425...460 mm (≥ 131 mm)
11054917	Torque arm M6 insulated, length 67...70 mm
11072795	Torque arm M6 insulated, length 120...130 mm (≥ 71 mm)
11082677	Torque arm M6 insulated, length 425...460 mm (≥ 131 mm)
11054918	Torque arm M6 stainless, length 67...70 mm
11072787	Torque arm M6 stainless, length 120...130 mm (≥ 71 mm)
11072737	Torque arm M6 stainless, length 425...460 mm (≥ 131 mm)
11077197	Mounting kit for torque arm size M6 and earthing strap
11077087	Mounting and dismounting set

Connectors and cables

Sensor cable for encoders HEK 8

Diagnostic accessories

11075858	Analyzer for encoders HENQ 1100
11075880	Analyzer for encoders HENQ 1100 B